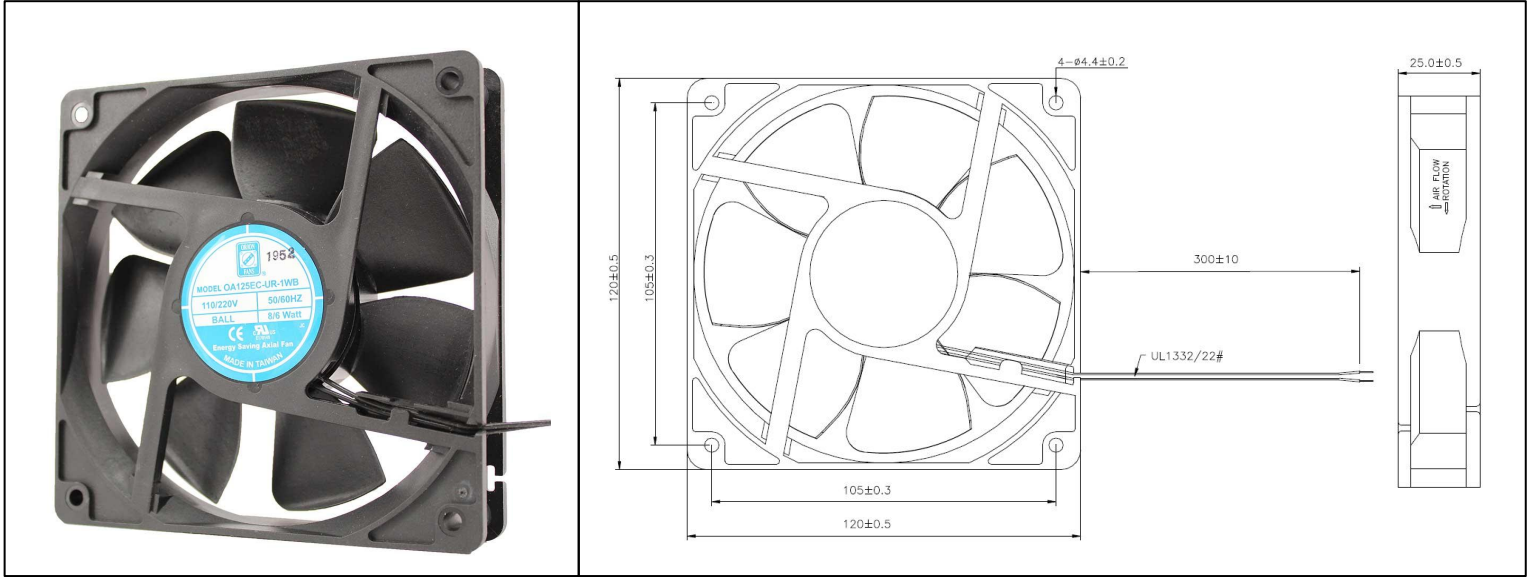


# OA125EC Series



EC Fan - Universal Voltage  
120mm x 25mm (4.72" x 0.98")



Frame	PBT, UL 94 V-0 Plastic	<u>Operating Temperature</u> -20°C ~ +65°C  <u>Storage Temperature</u> -20°C ~ +75°C  <u>Life Expectancy</u> 70,000 Hours (L10 at 40°C)  Weight: 0.39 lbs.	
Impeller	PBT, UL 94 V-0 Plastic		
Connection	2x Black Wire Leads, UL 1332 22 AWG		
Motor	AC-DC Energy Saving, Electronically Protected		
Bearing System	Ball Bearings		
Dielectric Strength	1500VAC/min, <1mA		
Insulation Resistance	≥10MΩ @ 500 VDC		

Part Number	OA125EC-UR-1WB
Rated Voltage (Volts AC)	115 / 230, 50 / 60 Hz
Voltage Range (Volts AC)	85 ~ 265
Input Power (Watts)	8 ~ 6 Max (2.8 Typical)
Rated Speed (RPM)	3000
Max Airflow (CFM)	80
Noise Level (dBA)	49
Max Static Pressure (" H <sub>2</sub> O)	0.21