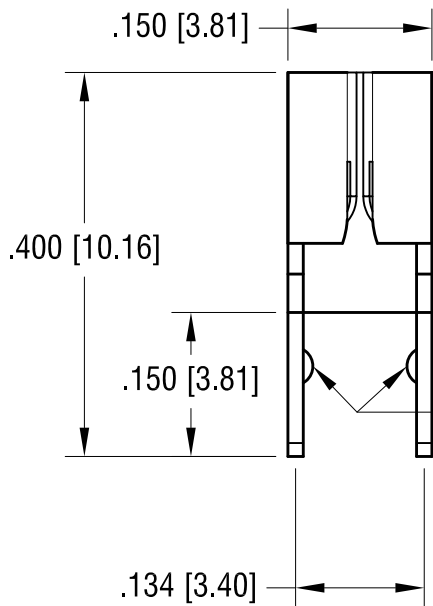
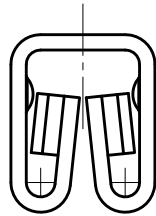
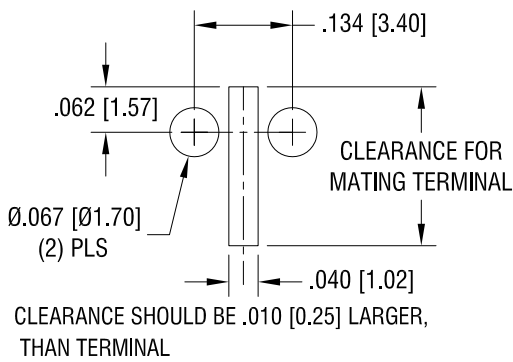


THIS DOCUMENT IS THE PROPERTY OF
KEYSTONE ELECTRONICS CORP. AND
SHALL NOT BE REPRODUCED, DISTRIBUTED
OR USED AS A BASIS FOR MANUFACTURE
WITHOUT PRIOR WRITTEN PERMISSION
FROM KEYSTONE ELECTRONICS CORP.

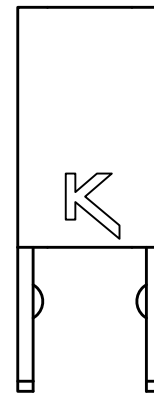
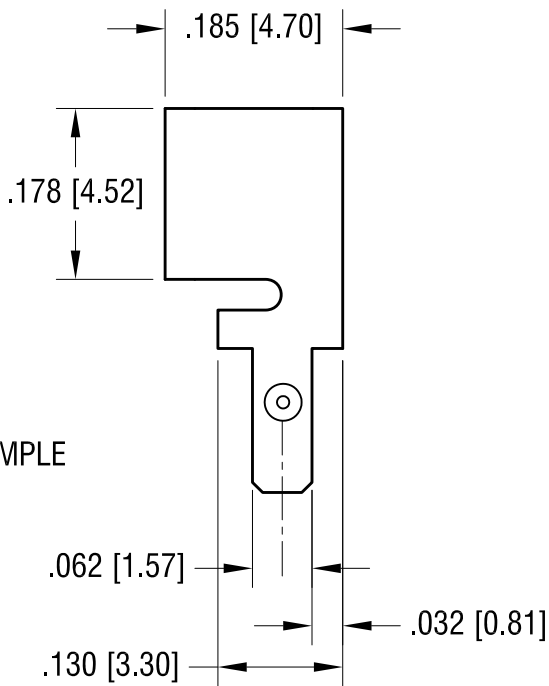
ACTUAL SIZE



PCB LAYOUT



DIMPLE



2.17.15	CHANGE AS PER ECR 15-023	A
DATE	DESCRIPTION	REV.

KEYSTONE ELECTRONICS CORP.			
www.keyelco.com • ASTORIA, N.Y. 11105-2017 • Tel (718) 956-8900			
PART NAME			
BOTTOM ENTRY PC AUTO FUSE CLIP			
MATERIAL			
.016 [0.40] TH'K BRASS			
FINISH		DRN BY	DATE
TIN NICKEL PLATE		NT	2.17.09
		APP'D	SCALE
		LN	5X
TOLERANCES	INCH [MM]	CODE	DWG NO.
DECIMAL	± .005 [± 0.13]	C	3577
ANGULAR	± 1°		
UNLESS OTHERWISE SPECIFIED			