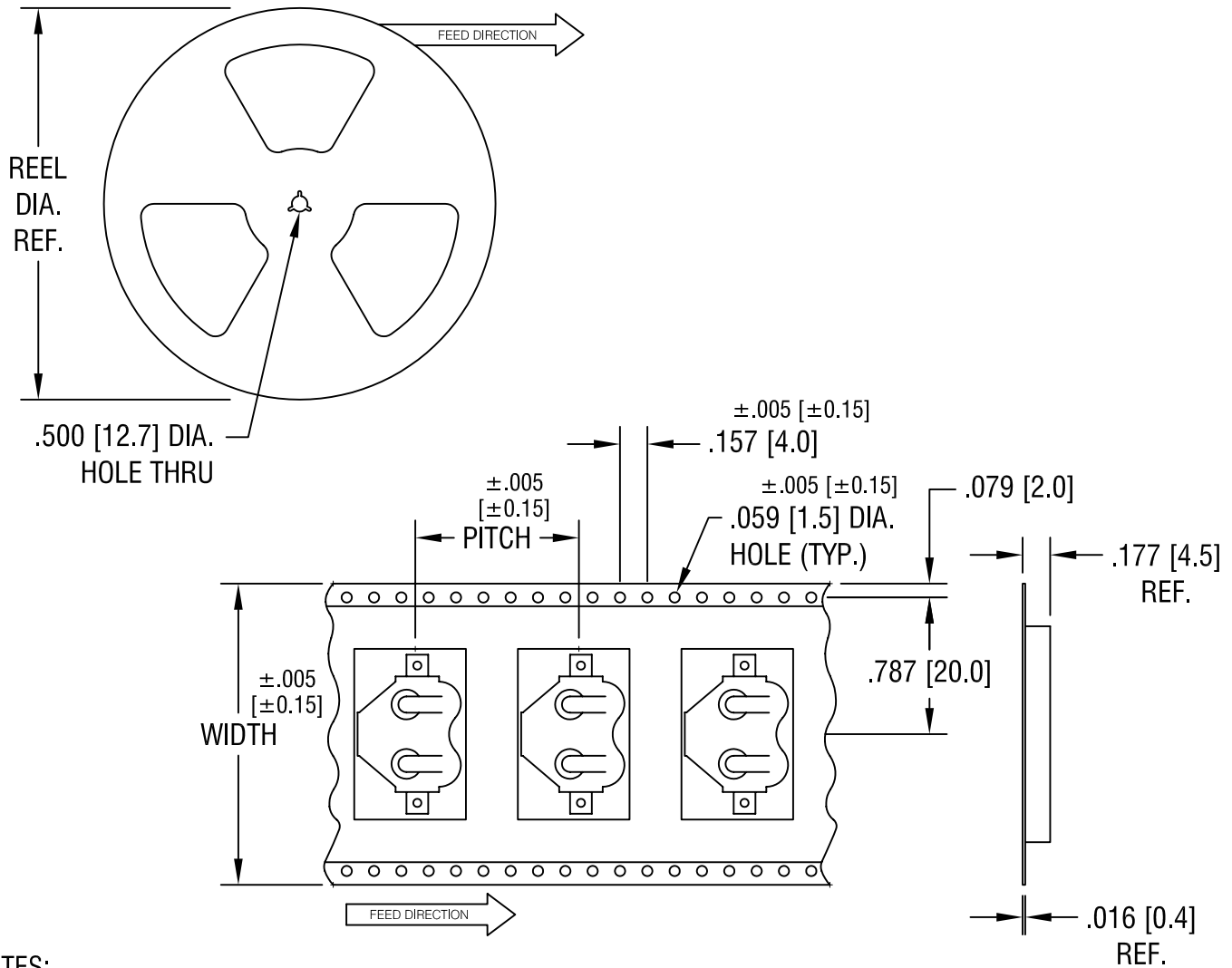


THIS DOCUMENT IS THE PROPERTY OF KEYSTONE ELECTRONICS CORP. AND SHALL NOT BE REPRODUCED, DISTRIBUTED OR USED AS A BASIS FOR MANUFACTURE WITHOUT PRIOR WRITTEN PERMISSION FROM KEYSTONE ELECTRONICS CORP.



NOTES:

TAPE AND REEL SPECIFICATIONS:

1. TAPE:

MAT'L - ALL CONDUCTIVE POLYSTYRENE CARRIER
ANSI/EIA-481 STANDARD
1.732 [44.0] WIDE; .945 [24.0] PITCH

2. REEL:

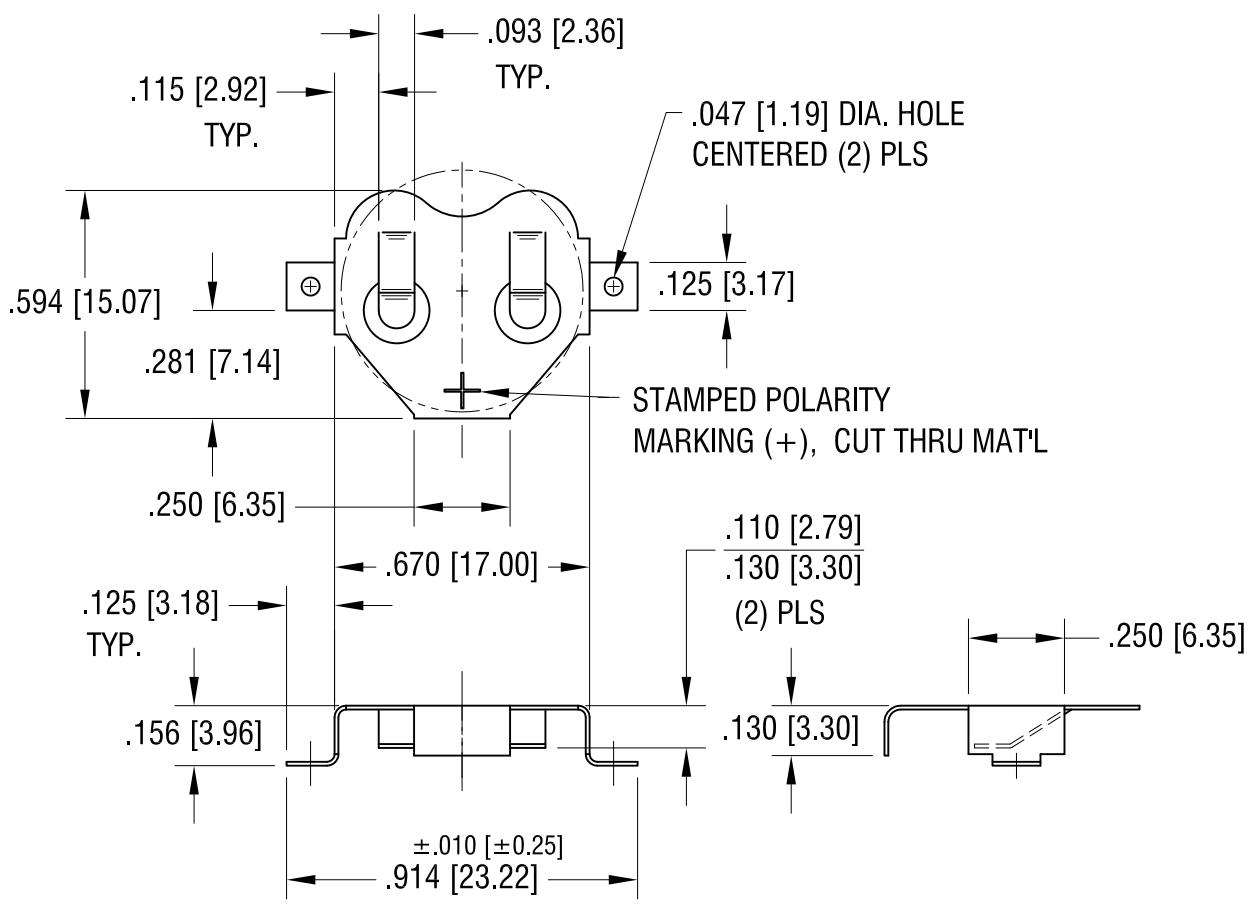
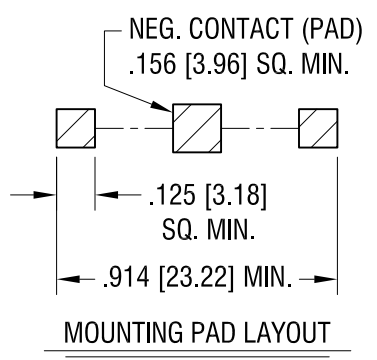
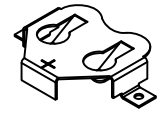
13.0 [330.2] DIA. 600 PIECES OF
PART NO. 3012 PER REEL.

KEYSTONE ELECTRONICS CORP.			
ASTORIA, N.Y. 11105-2017			
PART NAME			
16mm SM COIN CELL CLIP ON TAPE			
MATERIAL			
AS NOTED			
FINISH		DRN BY	DATE
AS NOTED		BOONE	6.1.01
		APP'D	SCALE
		LN	X
TOLERANCES	INCH [MM]	CODE	DWG NO.
DECIMAL	± .015 [± 0.38]	C/M	3012TR
ANGULAR	± 1°		
UNLESS OTHERWISE SPECIFIED			

4.17.06	CHANGE AS PER ECN 06-023	B
9.14.01	CHANGE AS PER ECN 01-067	A
DATE	DESCRIPTION	REV.

THIS DOCUMENT IS THE PROPERTY OF KEYSTONE ELECTRONICS CORP. AND SHALL NOT BE REPRODUCED, DISTRIBUTED OR USED AS A BASIS FOR MANUFACTURE WITHOUT PRIOR WRITTEN PERMISSION FROM KEYSTONE ELECTRONICS CORP.

ACTUAL SIZE



12.19.16	CHANGE AS PER ECN 16-110	H
10.28.16	CHANGE AS PER ECR 16-075	F
8.30.07	CHANGE AS PER ECN 07-054	E
DATE	DESCRIPTION	REV.

KEYSTONE ELECTRONICS CORP.			
www.keyelco.com • NEW HYDE PARK, NY 11040 • Tel (516) 328-7500			
PART NAME		16mm SM COIN CELL CLIP	
MATERIAL		.010 [0.25] TH'K PHOSPHOR BRONZE	
FINISH		DRN BY	DATE
TIN NICKEL PLATE		BOONE	3.15.01
		APP'D	SCALE
		LN	2X
TOLERANCES	INCH [MM]	CODE	DWG NO.
DECIMAL	± .005 [± 0.13]	C	3012
ANGULAR	± 1°		
UNLESS OTHERWISE SPECIFIED			