

## AC FAN

80mm~280mm

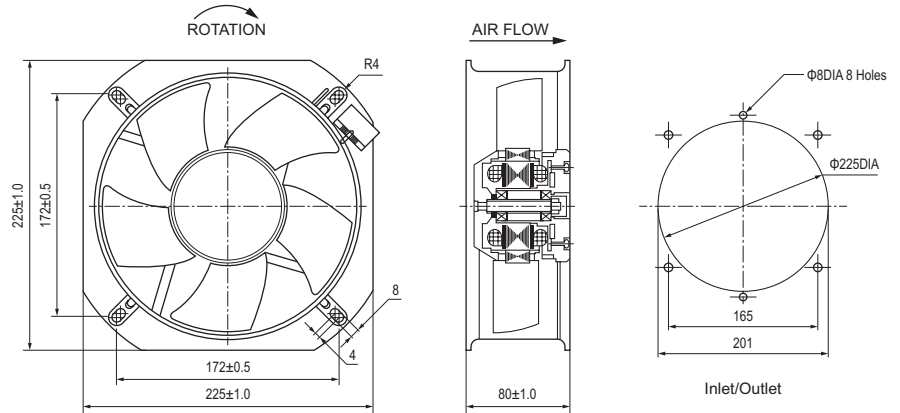


### NA22580



#### General Specification

Size: 225×225×80mm  
 Airflow: 1000~1150m<sup>3</sup>/hr 558-676CFM  
 Weight: 2112g  
 Noise: 65~68dBA  
 Impeller: Iron Leaf  
 Frame: Aluminum Alloy  
 Lead Wire: The Mostable Wire  
 Motor: Capacitor-Run External Rotor / Induction Motor  
 Operation Temperature: -10°C~+105°C



#### Specific Parameters

Model Number	Bearing Type	Voltage (V)	Freq. (Hz)	Current (A)	Power (W)	Speed (RPM)	Noise (dBA)	Air Flow		Phase	Capacitor
								M <sup>3</sup> /hr	CFM		
22580-110BH-C	Ball	110	50/60	0.80	80	2300/2600	65/68	1000/1150	588/676	1	4μf/250V
22580-230BH-C	Ball	220	50/60	0.40	80	2300/2600	65/68	1000/1150	588/676	1	2.2μf/500V
22580-380BH	Ball	380	50/60	0.20	80	2300/2600	65/68	1000/1150	588/676	3	/
22580-230BH-C	Ball	380	50/60	0.21	80	2300/2600	65/68	1000/1150	588/676	1	0.6μf/800V

"B" means Ball, "H" means High Speed

Current, Speed can be customer made

