

AC FAN

80mm~280mm

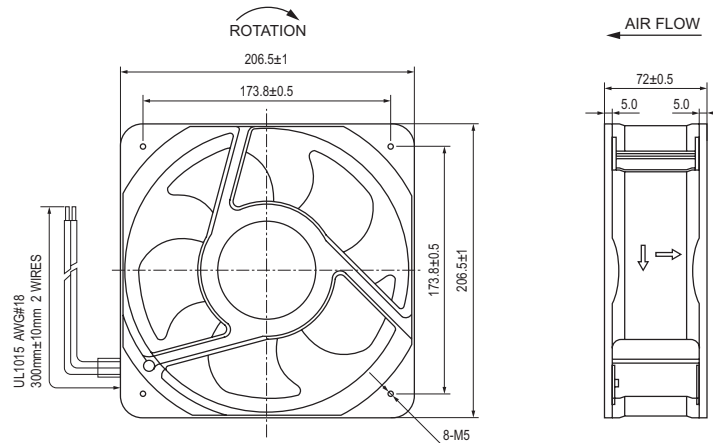


NA21070



General Specification

Size: 205×205×72mm
 Airflow: 905~1248m³/hr 533-735CFM
 Weight: 2100g
 Noise: 61~68dBA
 Impeller: PBT Black
 Frame: Aluminum Alloy
 Terminals: 0.5mm
 Lead Wire: AWG#24
 Motor: Capacitor-Run Induction Motor
 Operation Temperature: -10°C~+65°C



Specific Parameters

Model Number	Bearing Type	Voltage (V)	Freq. (Hz)	Current (A)	Power (W)	Speed (RPM)	Noise (dBA)	Air Flow		Phase	Capacitor
								M ³ /hr	CFM		
21070-110BH-C	Ball	100~125	50/60	0.8/0.9	88/98	2850/3250	61/68	1012/1092	596/643	1	10μf/250V
21070-230BH-C	Ball	200~240	50/60	0.35/0.5	68/105	2850/3250	61/68	1012/1092	596/643	1	5μf/250V

"B" means Ball, "H" means High Speed
 Current, Speed can be customer made

