

DC FAN

20mm~254mm



DC25489

Size: 255×255×89mm



General Specification

Frame / Impeller: Plastic

Lead Wire: AWG#20 or

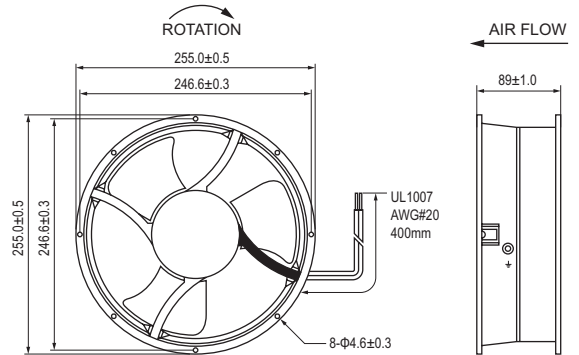
Equivalent (+)Red, (-)Black

Ball Bearing 50,000Hrs(40°C)

Sleeve Bearing 30,000Hrs(40°C)

Operating temperature: -10°C~+70°C

Storage temperature: -40°C~+70°C



Model Number	# Bearing Type	Rated Voltage (VDC)	Operating Voltage (VDC)	Input Current (A)	Input Power (W)	Speed (RPM)	Max Air Volum		Max Static Pressure		Noise (dB-A)	Weight (g)
							(CFM)	m ³ /min	Inch-H ₂ O	Pa		
DC25489#24H	B	24	14.0~27.6	3.50	84.00	2600	890.00	25.21	1.01	251.58	68.0	2140.0
DC25489#24M	B	24	14.0~27.6	2.20	52.80	2100	718.85	20.36	0.82	204.25	55.0	2140.0
DC25489#24L	B	24	14.0~27.6	1.50	36.00	1600	547.69	15.51	0.62	154.44	42.0	2140.0
DC25489#48H	B	48	28.0~56.0	2.00	96.00	2600	890.00	25.21	1.01	251.58	68.0	2140.0
DC25489#48M	B	48	28.0~56.0	1.20	57.60	2100	718.85	20.36	0.82	204.25	55.0	2140.0
DC25489#48L	B	48	28.0~56.0	0.80	38.40	1600	547.69	15.51	0.62	154.44	42.0	2140.0