

## DC FAN

20mm~254mm



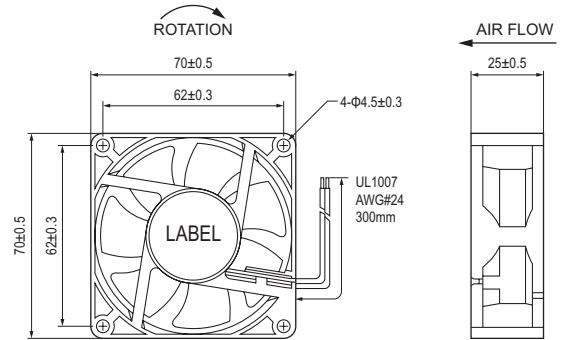
### DC7025

Size: 70×70×25mm



#### General Specification

Frame / Impeller: Plastic  
 Lead Wire: AWG#24 or  
 Equivalent (+)Red, (-)Black  
 Ball Bearing 50,000Hrs(40°C)  
 Sleeve Bearing 30,000Hrs(40°C)  
 Operating temperature: -10°C~+70°C  
 Storage temperature: -40°C~+70°C



Model Number	# Bearing Type	Rated Voltage (VDC)	Operating Voltage (VDC)	Input Current (A)	Input Power (W)	Speed (RPM)	Max Air Volum		Max Static Pressure		Noise (dB-A)	Weight (g)
							(CFM)	m <sup>3</sup> /min	Inch-H <sub>2</sub> O	Pa		
DC7025#12U	B.S	12	7.0~13.8	0.30	3.60	4500	33.57	0.95	0.24	59.43	42.0	52.0
DC7025#12H	B.S	12	7.0~13.8	0.25	3.00	4000	31.01	0.88	0.21	52.66	37.0	52.0
DC7025#12M	B.S	12	7.0~13.8	0.20	2.40	3500	27.93	0.79	0.17	42.86	32.0	52.0
DC7025#12L	B.S	12	7.0~13.8	0.15	1.80	3000	23.02	0.65	0.13	31.28	28.0	52.0
DC7025#24U	B.S	24	14.0~27.6	0.20	4.80	4500	33.57	0.95	0.24	59.43	42.0	52.0
DC7025#24H	B.S	24	14.0~27.6	0.16	3.84	4000	31.01	0.88	0.21	52.66	37.0	52.0
DC7025#24M	B.S	24	14.0~27.6	0.12	2.88	3500	27.93	0.79	0.17	42.86	32.0	52.0
DC7025#24L	B.S	24	14.0~27.6	0.08	1.92	3000	23.02	0.65	0.13	31.28	28.0	52.0
DC7025#48U	B.S	48	28.0~56.0	0.07	3.36	4500	33.57	0.95	0.24	59.43	42.0	52.0
DC7025#48H	B.S	48	28.0~56.0	0.05	2.40	4000	31.01	0.88	0.21	52.66	37.0	52.0
DC7025#48M	B.S	48	28.0~56.0	0.04	1.92	3500	27.93	0.79	0.17	42.86	32.0	52.0
DC7025#48L	B.S	48	28.0~56.0	0.03	1.44	3000	23.02	0.65	0.13	31.28	28.0	52.0

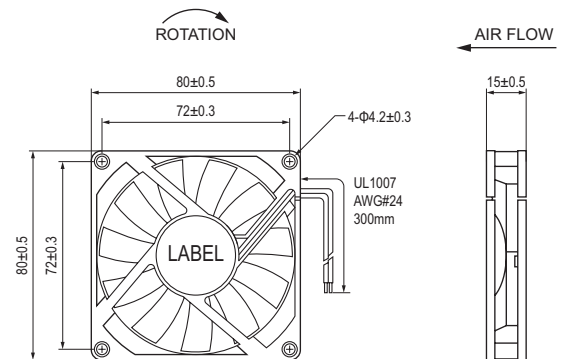
### DC8015

Size: 80×80×15mm



#### General Specification

Frame / Impeller: Plastic  
 Lead Wire: AWG#24 or  
 Equivalent (+)Red, (-)Black  
 Ball Bearing 50,000Hrs(40°C)  
 Sleeve Bearing 30,000Hrs(40°C)  
 Operating temperature: -10°C~+70°C  
 Storage temperature: -40°C~+70°C



Model Number	# Bearing Type	Rated Voltage (VDC)	Operating Voltage (VDC)	Input Current (A)	Input Power (W)	Speed (RPM)	Max Air Volum		Max Static Pressure		Noise (dB-A)	Weight (g)
							(CFM)	m <sup>3</sup> /min	Inch-H <sub>2</sub> O	Pa		
DC8015#05M	B.S	5	3.5~5.5	0.38	1.90	2500	27.45	0.78	0.08	18.73	27.0	54.0
DC8015#05L	B.S	5	3.5~5.5	0.25	1.25	2000	22.07	0.63	0.05	12.55	23.0	54.0
DC8015#12H	B.S	12	7.0~13.8	0.30	3.60	3000	34.33	0.97	0.11	27.16	33.0	54.0
DC8015#12M	B.S	12	7.0~13.8	0.20	2.40	2500	27.45	0.78	0.08	18.73	27.0	54.0
DC8015#12L	B.S	12	7.0~13.8	0.12	1.44	2000	22.07	0.63	0.05	12.55	23.0	54.0
DC8015#24H	B.S	24	14.0~27.6	0.18	4.32	3000	34.33	0.97	0.11	27.16	33.0	54.0
DC8015#24M	B.S	24	14.0~27.6	0.15	3.60	2500	27.45	0.78	0.08	18.73	27.0	54.0
DC8015#24L	B.S	24	14.0~27.6	0.10	2.40	2000	22.07	0.63	0.05	12.55	23.0	54.0