

DC FAN

20mm~254mm



DC6010

Size: 60×60×10mm



General Specification

Frame / Impeller: Plastic

Lead Wire: AWG#26 or

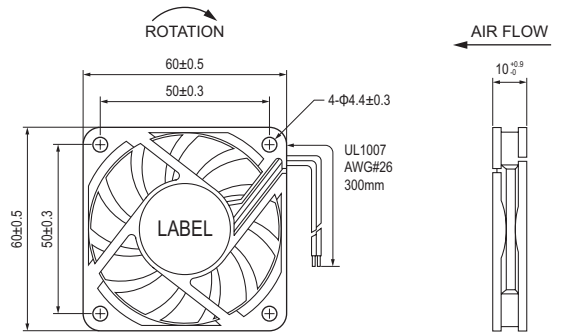
Equivalent (+)Red, (-)Black

Ball Bearing 50,000Hrs(40°C)

Sleeve Bearing 30,000Hrs(40°C)

Operating temperature: -10°C~+70°C

Storage temperature: -40°C~+70°C



Model Number	# Bearing Type	Rated Voltage (VDC)	Operating Voltage (VDC)	Input Current (A)	Input Power (W)	Speed (RPM)	Max Air Volum		Max Static Pressure		Noise (dB-A)	Weight (g)
							(CFM)	m ³ /min	Inch-H ₂ O	Pa		
DC6010#05H	B.S	5	3.5~5.5	0.30	1.50	4000	14.43	0.41	0.16	40.31	32.0	26.0
DC6010#05M	B.S	5	3.5~5.5	0.17	0.85	3000	11.13	0.32	0.10	25.50	25.0	26.0
DC6010#05L	B.S	5	3.5~5.5	0.10	0.50	2000	7.50	0.21	0.06	14.81	22.0	26.0
DC6010#12U	B.S	12	7.0~13.8	0.28	3.36	5000	17.83	0.50	0.23	56.88	35.0	26.0
DC6010#12H	B.S	12	7.0~13.8	0.15	1.80	4000	14.43	0.41	0.16	40.31	32.0	26.0
DC6010#12M	B.S	12	7.0~13.8	0.08	0.96	3000	11.13	0.32	0.10	25.50	25.0	26.0
DC6010#12L	B.S	12	7.0~13.8	0.05	0.60	2000	7.50	0.21	0.06	14.81	22.0	26.0
DC6010#24U	B.S	24	14.0~27.6	0.15	3.60	5000	17.83	0.50	0.23	56.88	35.0	26.0
DC6010#24H	B.S	24	14.0~27.6	0.10	2.40	4000	14.43	0.41	0.16	40.31	32.0	26.0
DC6010#24M	B.S	24	14.0~27.6	0.05	1.20	3000	11.13	0.32	0.10	25.50	25.0	26.0

DC6015

Size: 60×60×15mm



General Specification

Frame / Impeller: Plastic

Lead Wire: AWG#24 or

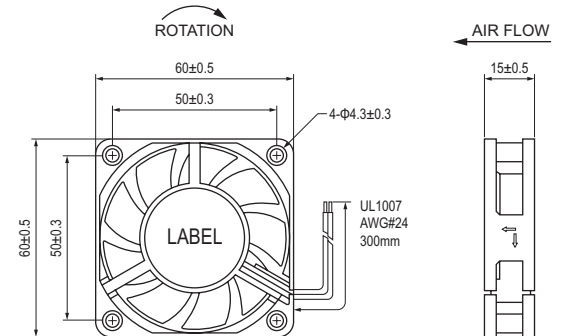
Equivalent (+)Red, (-)Black

Ball Bearing 50,000Hrs(40°C)

Sleeve Bearing 30,000Hrs(40°C)

Operating temperature: -10°C~+70°C

Storage temperature: -40°C~+70°C



Model Number	# Bearing Type	Rated Voltage (VDC)	Operating Voltage (VDC)	Input Current (A)	Input Power (W)	Speed (RPM)	Max Air Volum		Max Static Pressure		Noise (dB-A)	Weight (g)
							(CFM)	m ³ /min	Inch-H ₂ O	Pa		
DC6015#05M	B.S	5	3.5~5.5	0.58	2.90	4000	18.55	0.53	0.15	37.27	29.0	42.0
DC6015#05L	B.S	5	3.5~5.5	0.40	2.00	3500	16.84	0.48	0.13	31.48	26.0	42.0
DC6015#05D	B.S	5	3.5~5.5	0.25	1.25	3000	12.96	0.37	0.09	21.57	24.0	42.0
DC6015#12U	B.S	12	7.0~13.8	0.30	3.60	5000	22.77	0.64	0.22	55.11	37.0	42.0
DC6015#12H	B.S	12	7.0~13.8	0.22	2.64	4500	19.94	0.56	0.17	43.15	33.0	42.0
DC6015#12M	B.S	12	7.0~13.8	0.18	2.16	4000	18.55	0.53	0.15	37.27	29.0	42.0
DC6015#12L	B.S	12	7.0~13.8	0.15	1.80	3500	16.84	0.48	0.13	31.48	26.0	42.0
DC6015#12D	B.S	12	7.0~13.8	0.12	1.44	3000	12.96	0.37	0.09	21.57	24.0	42.0
DC6015#24U	B.S	24	14.0~27.6	0.18	4.32	5000	22.77	0.64	0.22	55.11	37.0	42.0
DC6015#24H	B.S	24	14.0~27.6	0.16	3.84	4500	19.94	0.56	0.17	43.15	33.0	42.0
DC6015#24M	B.S	24	14.0~27.6	0.12	2.88	4000	18.55	0.53	0.15	37.27	29.0	42.0
DC6015#24L	B.S	24	14.0~27.6	0.10	2.40	3500	16.84	0.48	0.13	31.48	26.0	42.0