

DC FAN

20mm~254mm



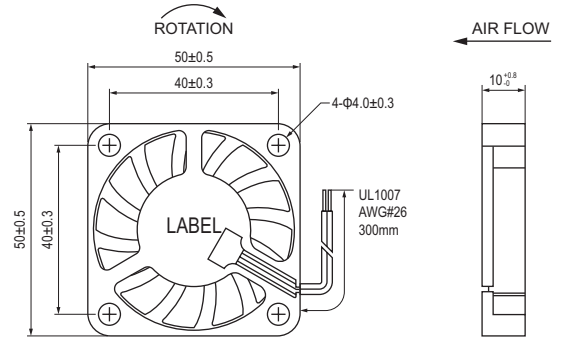
DC5010

Size: 50×50×10mm



General Specification

Frame / Impeller: Plastic
 Lead Wire: AWG#26 or
 Equivalent (+)Red, (-)Black
 Ball Bearing 50,000Hrs(40°C)
 Sleeve Bearing 30,000Hrs(40°C)
 Operating temperature: -10°C~+70°C
 Storage temperature: -40°C~+70°C



Model Number	# Bearing Type	Rated Voltage (VDC)	Operating Voltage (VDC)	Input Current (A)	Input Power (W)	Speed (RPM)	Max Air Volum		Max Static Pressure		Noise (dB-A)	Weight (g)
							(CFM)	m ³ /min	Inch-H ₂ O	Pa		
DC5010#05H	B.S	5	3.5~5.5	0.25	1.25	5500	10.83	0.31	0.13	33.15	34.0	20.0
DC5010#05M	B.S	5	3.5~5.5	0.21	1.05	5000	9.91	0.28	0.11	26.77	31.0	20.0
DC5010#05L	B.S	5	3.5~5.5	0.18	0.90	4500	9.26	0.26	0.10	23.93	28.0	20.0
DC5010#05D	B.S	5	3.5~5.5	0.15	0.75	4000	7.64	0.22	0.07	17.55	26.0	20.0
DC5010#12U	B.S	12	7.0~13.8	0.16	1.92	6000	12.02	0.34	0.16	39.32	37.0	20.0
DC5010#12H	B.S	12	7.0~13.8	0.14	1.68	5500	10.83	0.31	0.13	33.15	34.0	20.0
DC5010#12M	B.S	12	7.0~13.8	0.12	1.44	5000	9.91	0.28	0.11	26.77	31.0	20.0
DC5010#12L	B.S	12	7.0~13.8	0.10	1.20	4500	9.26	0.26	0.10	23.93	28.0	20.0
DC5010#12D	B.S	12	7.0~13.8	0.08	0.96	4000	7.64	0.22	0.07	17.55	26.0	20.0
DC5010#24U	B.S	24	14.0~27.6	0.12	2.88	6000	12.02	0.34	0.16	39.32	37.0	20.0
DC5010#24H	B.S	24	14.0~27.6	0.10	2.40	5500	10.83	0.31	0.13	33.15	34.0	20.0
DC5010#24M	B.S	24	14.0~27.6	0.08	1.92	5000	9.91	0.28	0.11	26.77	31.0	20.0
DC5010#24L	B.S	24	14.0~27.6	0.06	1.44	4500	9.26	0.26	0.10	23.93	28.0	20.0
DC5010#24D	B.S	24	14.0~27.6	0.04	0.96	4000	7.64	0.22	0.07	17.55	26.0	20.0

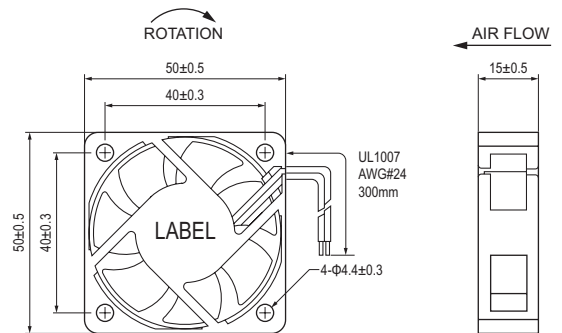
DC5015

Size: 50×50×15mm



General Specification

Frame / Impeller: Plastic
 Lead Wire: AWG#24 or
 Equivalent (+)Red, (-)Black
 Ball Bearing 50,000Hrs(40°C)
 Sleeve Bearing 30,000Hrs(40°C)
 Operating temperature: -10°C~+70°C
 Storage temperature: -40°C~+70°C



Model Number	# Bearing Type	Rated Voltage (VDC)	Operating Voltage (VDC)	Input Current (A)	Input Power (W)	Speed (RPM)	Max Air Volum		Max Static Pressure		Noise (dB-A)	Weight (g)
							(CFM)	m ³ /min	Inch-H ₂ O	Pa		
DC5015#05H	B.S	5	3.5~5.5	0.50	2.50	6000	14.74	0.42	0.21	52.76	34.0	29.0
DC5015#05M	B.S	5	3.5~5.5	0.35	1.75	5500	13.29	0.38	0.18	45.11	31.0	29.0
DC5015#05L	B.S	5	3.5~5.5	0.25	1.25	5000	12.86	0.36	0.16	40.89	27.0	29.0
DC5015#05D	B.S	5	3.5~5.5	0.20	1.00	4500	11.29	0.32	0.13	32.36	25.0	29.0
DC5015#12U	B.S	12	7.0~13.8	0.20	2.40	6500	15.90	0.45	0.25	62.57	36.0	29.0
DC5015#12H	B.S	12	7.0~13.8	0.16	1.92	6000	14.74	0.42	0.21	52.76	34.0	29.0
DC5015#12M	B.S	12	7.0~13.8	0.14	1.68	5500	13.29	0.38	0.18	45.11	31.0	29.0
DC5015#12L	B.S	12	7.0~13.8	0.12	1.44	5000	12.86	0.36	0.16	40.89	27.0	29.0
DC5015#12D	B.S	12	7.0~13.8	0.10	1.20	4500	11.29	0.32	0.13	32.36	25.0	29.0
DC5015#24U	B.S	24	14.0~27.6	0.12	2.88	6500	15.90	0.45	0.25	62.57	36.0	29.0
DC5015#24H	B.S	24	14.0~27.6	0.10	2.40	6000	14.74	0.42	0.21	52.76	34.0	29.0
DC5015#24M	B.S	24	14.0~27.6	0.08	1.92	5500	13.29	0.38	0.18	45.11	31.0	29.0
DC5015#24L	B.S	24	14.0~27.6	0.07	1.68	5000	12.86	0.36	0.16	40.89	27.0	29.0
DC5015#24D	B.S	24	14.0~27.6	0.06	1.44	4500	11.29	0.32	0.13	32.36	25.0	29.0