

## DC FAN

20mm~254mm



### DC3510

Size: 35×35×10mm



### General Specification

Frame / Impeller: Plastic

Lead Wire: AWG#28 or

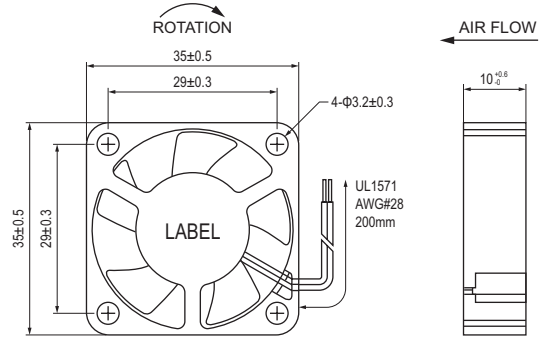
Equivalent (+)Red, (-)Black

Ball Bearing 50,000Hrs(40°C)

Sleeve Bearing 30,000Hrs(40°C)

Operating temperature: -10°C~+70°C

Storage temperature: -40°C~+70°C



Model Number	# Bearing Type	Rated Voltage (VDC)	Operating Voltage (VDC)	Input Current (A)	Input Power (W)	Speed (RPM)	Max Air Volum		Max Static Pressure		Noise (dB-A)	Weight (g)
							(CFM)	m <sup>3</sup> /min	Inch-H <sub>2</sub> O	Pa		
DC3510#05M	B.S	5	3.5~5.5	0.25	1.25	8000	6.51	0.18	0.16	39.42	29.0	10.0
DC3510#05L	B.S	5	3.5~5.5	0.18	0.90	6000	4.88	0.14	0.10	24.61	26.0	10.0
DC3510#05D	B.S	5	3.5~5.5	0.12	0.60	4000	3.15	0.09	0.04	11.18	22.0	10.0
DC3510#12H	B.S	12	7.0~13.8	0.18	2.16	10000	7.48	0.21	0.22	54.23	32.0	10.0
DC3510#12M	B.S	12	7.0~13.8	0.14	1.68	8000	6.51	0.18	0.16	39.42	29.0	10.0
DC3510#12L	B.S	12	7.0~13.8	0.10	1.20	6000	4.88	0.14	0.10	24.61	26.0	10.0

### DC4010

Size: 40×40×10mm



### General Specification

Frame / Impeller: Plastic

Lead Wire: AWG#26 or

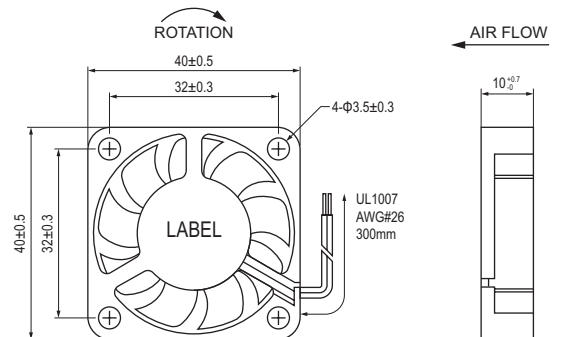
Equivalent (+)Red, (-)Black

Ball Bearing 50,000Hrs(40°C)

Sleeve Bearing 30,000Hrs(40°C)

Operating temperature: -10°C~+70°C

Storage temperature: -40°C~+70°C



Model Number	# Bearing Type	Rated Voltage (VDC)	Operating Voltage (VDC)	Input Current (A)	Input Power (W)	Speed (RPM)	Max Air Volum		Max Static Pressure		Noise (dB-A)	Weight (g)
							(CFM)	m <sup>3</sup> /min	Inch-H <sub>2</sub> O	Pa		
DC4010#05H	B.S	5	3.5~5.5	0.22	1.10	7000	7.50	0.21	0.15	36.87	32.0	16.0
DC4010#05M	B.S	5	3.5~5.5	0.14	0.70	6000	6.42	0.18	0.12	29.42	27.0	16.0
DC4010#05L	B.S	5	3.5~5.5	0.10	0.50	5000	5.54	0.15	0.09	21.67	24.0	16.0
DC4010#05D	B.S	5	3.5~5.5	0.08	0.40	4000	4.39	0.12	0.06	14.32	21.0	16.0
DC4010#12H	B.S	12	7.0~13.8	0.15	1.80	7000	7.50	0.21	0.15	36.87	32.0	16.0
DC4010#12M	B.S	12	7.0~13.8	0.08	0.96	6000	6.42	0.18	0.12	29.42	27.0	16.0
DC4010#12L	B.S	12	7.0~13.8	0.06	0.72	5000	5.54	0.15	0.09	21.67	24.0	16.0
DC4010#12D	B.S	12	7.0~13.8	0.04	0.48	4000	4.39	0.12	0.06	14.32	21.0	16.0
DC4010#24H	B.S	24	14.0~27.6	0.07	1.68	7000	7.50	0.21	0.15	36.87	32.0	16.0
DC4010#24M	B.S	24	14.0~27.6	0.05	1.20	6000	6.42	0.18	0.12	29.42	27.0	16.0
DC4010#24L	B.S	24	14.0~27.6	0.04	0.96	5000	5.54	0.15	0.09	21.67	24.0	16.0