

PF-L4G3210

Ceramic Antenna for **Wireless Application** (Preliminary Information)

PF-L4G3210 Ceramic Antenna

◆ Features

- Size : 31.8mm(L)X10mm(W)X1.8mm(H)
- Light weight and low profile
- Omni-directional in azimuth
- Lead (Pb) Free

◆ Applications

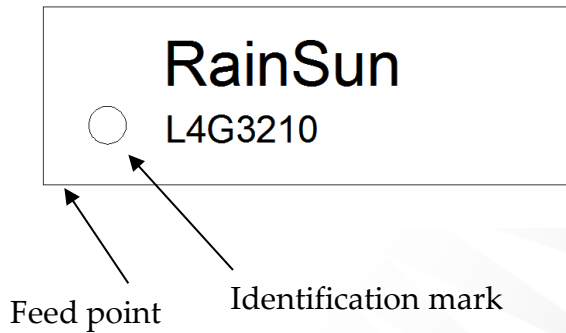
- 4G mobile communication

Specifications

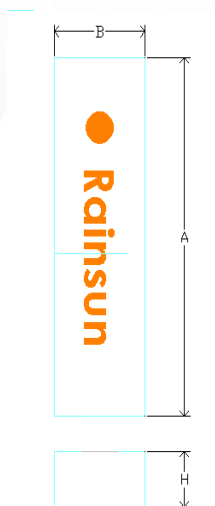
Frequency range	690~960/1700~2700 MHz
Peak gain	3 dBi
Operation temperature	-40 ~ +85 °C
Storage temperature	-40 ~ +100 °C
VSWR	2 (Max)
Input Impedance	50 Ohm
Power handling	5W (Max)
Bandwidth	50 MHz (typ.)
Azimuth beam width	Omni-directional
Polarization	Linear
Soldering pad	Natural tin

Pin configuration

Top view

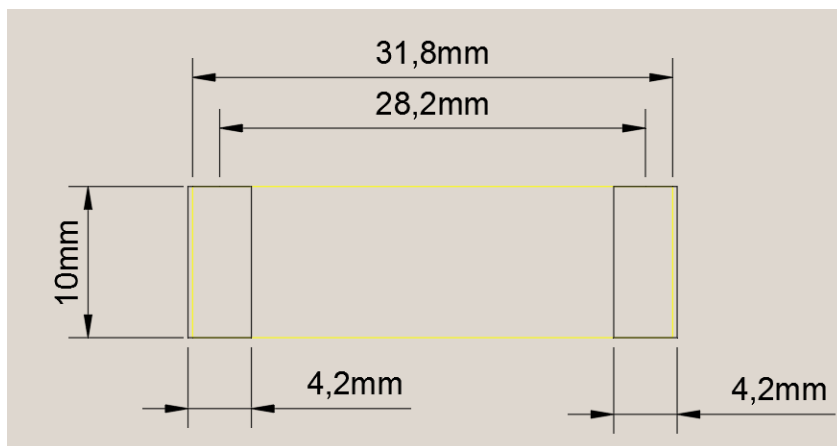


dimension



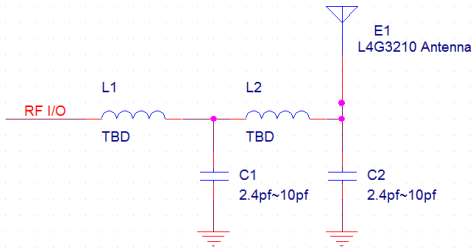
Symbol	Dimensions(mm)
A	31.8 ± 0.20
B	10.0 ± 0.20
H	1.8 ± 0.20

PCB foot print dimension



Antenna matching

Rainsun L4G3210 Antenna matching



Test result

