

SPECIFICATION FOR APPROVAL

CUSTOMER	_____
CUST. PART NO.	_____
CUST. DOC. REV.	_____
DESCRIPTION	POWER CHOKE(RoHS+H.F.)
SAMPLE LOT NO.	_____
PART NO.	CSME0628D-XXXX-LRH
DOC. REV.	A
DATE	_____

Once you approve this part, please sign and return this page to the following marked location.

Customer Signature: _____ Date: _____

This part currently development section. Production line can produce this series of products.

Sales Office-Headquarter

No. 566-1, Kao-Shi Rd., Yangmei, Taoyuan 32668,
Taiwan
TEL: +886-3-475-3355
FAX: +886-3-485-4959

Yong Zhou Plant

Tao-Yuan Rd., Fenghuang Park, Lengshuitan
District, Yongzhou, Hunan 425000, P.R.C.
TEL: +86-746-8610-180
FAX: +86-746-8610-181

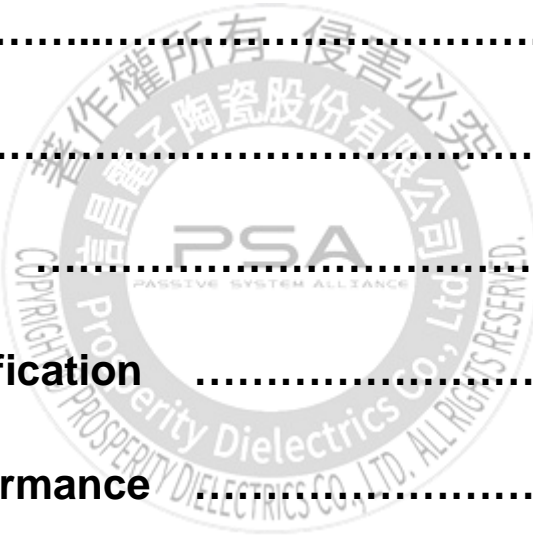
Sales Office-Dong Guan,China

No.638,Mei Jing West Road Xiniupo Administrative
Zone Dalang Town,Dong Guan City,GuangDong
Province,China.
TEL: +86-769-8555-0979
FAX: +86-769-8555-0972

ISSUE BY	CHECKED BY	APPROVED BY

TABLE OF CONTENTS

INDEX	Page
■ Engineering Change Notice – Record	2
■ Part Number Identification	3
■ Mechanical Dimension	3
■ Rating Temperature	3
■ Structure	4
■ Material List	4
■ Test Instrument	4
■ Electrical Specification	5
■ Reliability Performance	6
■ Reflow Chart	7
■ Packing	8
■ Test Report	



SPECIFICATION FOR APPROVAL

CUSTOMER	CUSTOMER P/N	REV. -	SPL. LOT NO.	
PART NAME POWER CHOKE (RoHS+H.F.)	PART NO. CSME0628D-XXXX-LRH	REV. A	DATE OF ISSUE	Q'TY 0 PCS

ENGINEERING CHANGE NOTICE – RECORD

REVISION NO.	REVISION DESCRIPTION	AUTHOR	DATE	REMARK
A		<i>Zhikai Deng</i>		

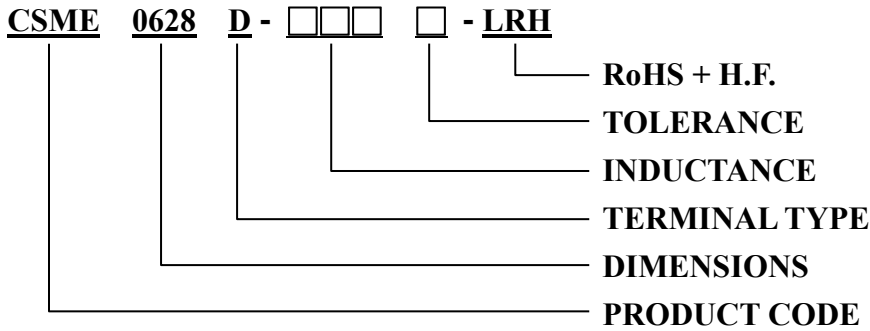


SPECIFICATION FOR APPROVAL

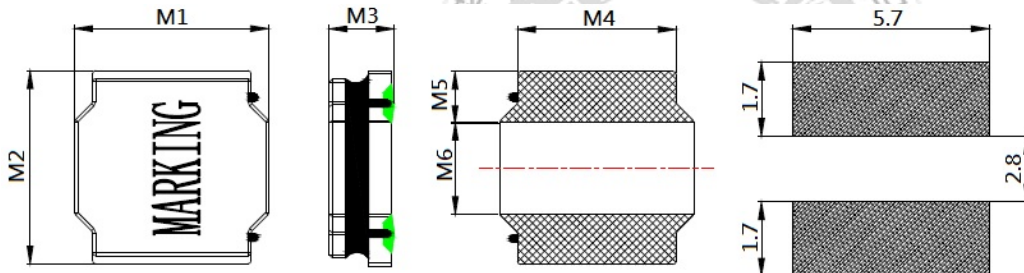
※This is a RoHS and REACH compliant product whose related documents are available on request.

※Graphic is only for dimensionally application.

1. PART NUMBERING IDENTIFICATION



2. MECHANICAL DIMENSION



UNIT: mm

	DIM.	TOL.
M1	6.00	±0.3
M2	6.00	±0.3
M3	2.80	MAX.
M4	4.90	±0.3
M5	1.55	±0.3
M6	2.90	±0.3

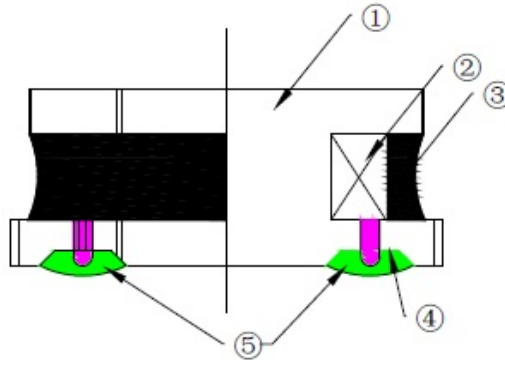
3. RATING TEMPERATURE

OPERATING TEMPERATURE RANGE: -40°C~+105°C.

STORAGE TEMPERATURE RANGE: -40°C~+125°C(Including coil's self temperature rise).

SPECIFICATION FOR APPROVAL

4. STRUCTURE



5. MATERIAL LIST

NO.	Part name	Material
1	Drum Core	Ni-Zn Ferrite Core
2	Wire	Polyurethane enameled copper wire
3	Adhesive	Epoxy Resin Magnetic Powder
4	Plating Electrodes	Plating: Ag 10-20 μ m Ni 1-3 μ m Sn 3-7 μ m
5	Outer Electrodes	Top surface solder coating Sn99%, Ag0.3%, Cu0.7%

6. TEST INSTRUMENT

6-1 Inductance: HIOKI3532-50

6-2 DC Resistance: HIOKI 3540

6-3 Isat/Irms: HP4284+42841A

SPECIFICATION FOR APPROVAL

7. ELECTRICAL SPECIFICATION

Part number	Inductance (μH)	Inductance Tolerance	Test Frequency (KHz/V)	DC Resistance (mΩ) ±30%	Isat (A)	Irms (A)	Marling
CSME0628D-R90N-LRH	0.9	±30%	100/0.25	13	6.70	4.60	R90
CSME0628D-1R5N-LRH	1.5	±30%	100/0.25	16	5.10	4.20	1R5
CSME0628D-2R2N-LRH	2.2	±30%	100/0.25	20	4.20	3.70	2R2
CSME0628D-3R0N-LRH	3.0	±30%	100/0.25	23	3.60	3.40	3R0
CSME0628D-4R7M-LRH	4.7	±20%	100/0.25	31	2.70	3.00	4R7
CSME0628D-6R0M-LRH	6.0	±20%	100/0.25	40	2.50	2.50	6R0
CSME0628D-100M-LRH	10	±20%	100/0.25	65	1.90	1.90	100
CSME0628D-150M-LRH	15	±20%	100/0.25	95	1.60	1.80	150
CSME0628D-220M-LRH	22	±20%	100/0.25	135	1.30	1.40	220
CSME0628D-330M-LRH	33	±20%	100/0.25	220	1.10	1.10	330
CSME0628D-470M-LRH	47	±20%	100/0.25	300	1.00	0.92	470
CSME0628D-680M-LRH	68	±20%	100/0.25	420	0.80	0.77	680
CSME0628D-101M-LRH	100	±20%	100/0.25	600	0.65	0.66	101

NOTE:

1. Isat: DC Saturation Current that will cause initial inductance to drop approximately 30% max.
2. Irms: DC Current that will cause an approximate ΔT of 40°C
3. MSL: Level 1

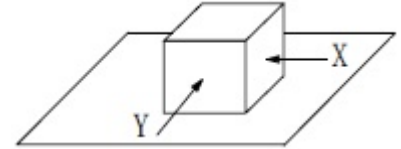


SPECIFICATION FOR APPROVAL

8. RELIABILITY PERFORMANCE

8-1. External appearance: No external defects can be found in the visual inspection.

8-2. Electrode strength: No electrode detachment should be found when the device is pushed in two directions of X and Y with the force of 10.0N for 60 ± 2 seconds after soldering between copper plate and the electrodes. (Refer to figure at right)



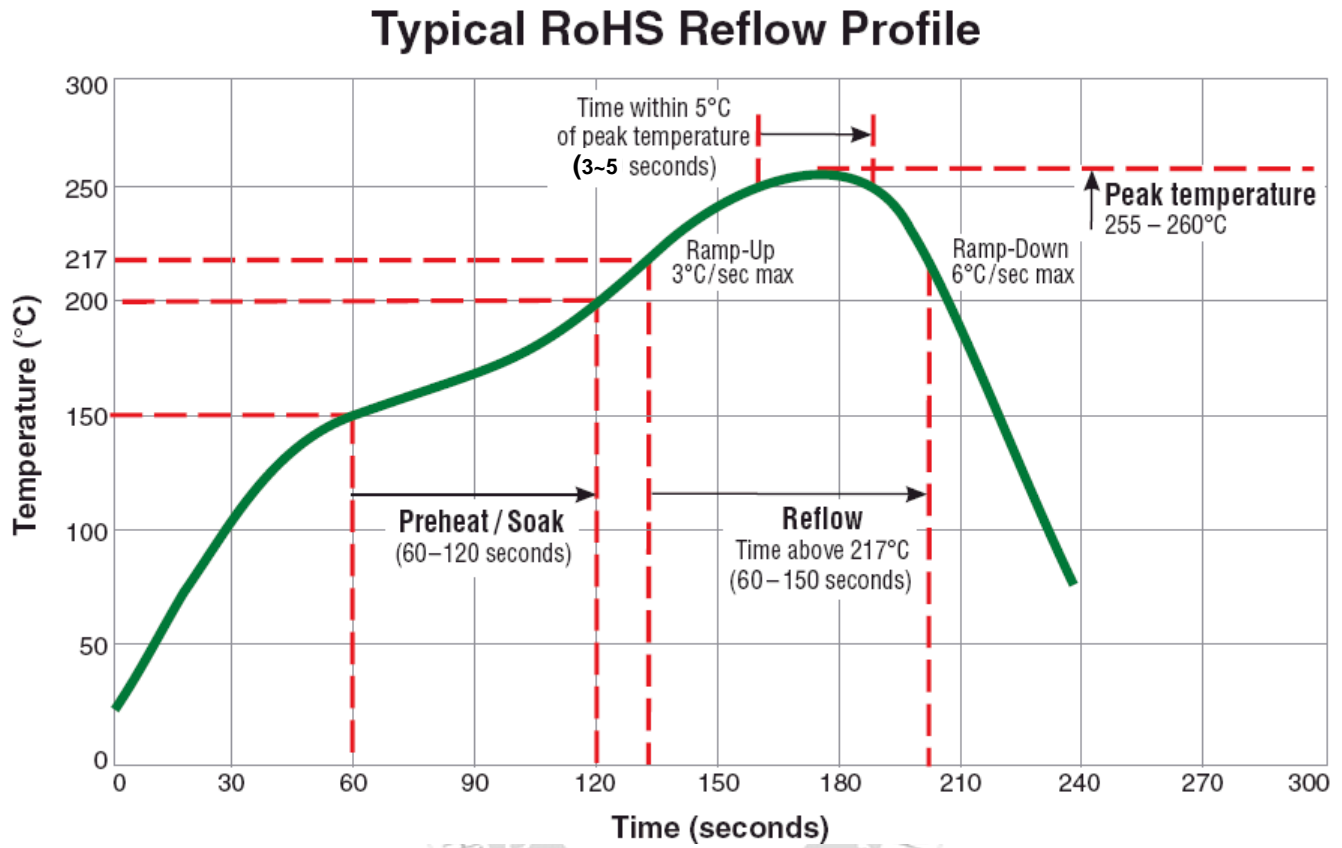
8-3. Vibration test: Inductance deviation is within $\pm 10.0\%$ after 1 hour sweeping vibration in each three directions, namely, forward and backward, up and down, right and left. The frequency is $10\sim 55\sim 10\text{Hz}$ and the amplitude of 1 minute cycle is 1.5mm PP.

8-4. Humidity test: Inductance deviation is within $\pm 5.0\%$ after 96 ± 4 hours test under the condition of relative humidity of $90\sim 95\%$ and temperature of $60\pm 2^\circ\text{C}$, and 1 hour storage under room ambient conditions after the device is wiped with dry cloth.



SPECIFICATION FOR APPROVAL

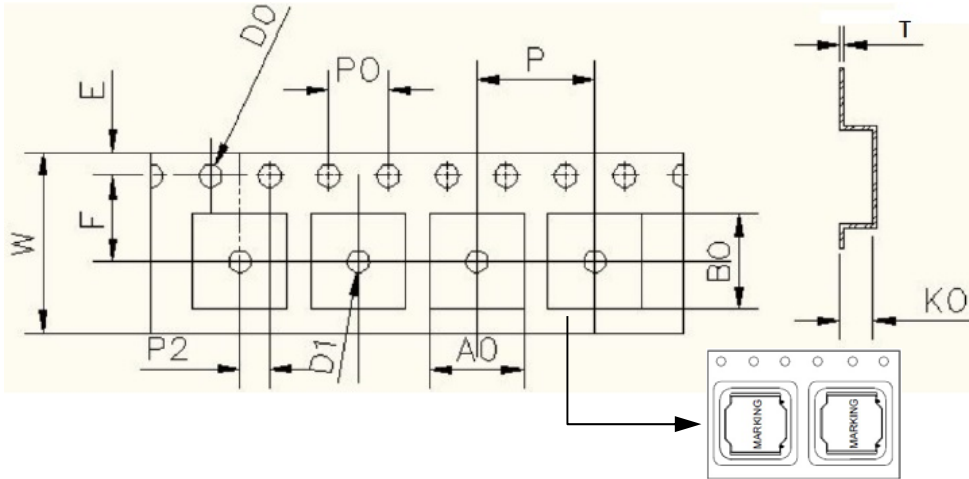
9. TYPICAL RoHS REFLOW PROFILE



SPECIFICATION FOR APPROVAL

10. PACKING

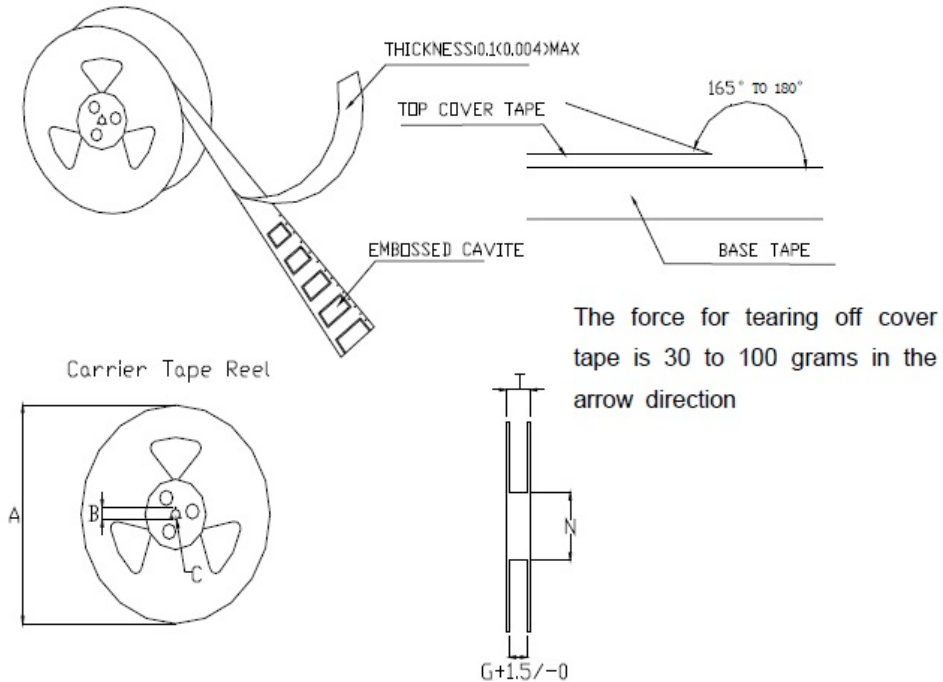
10-1. CARRIER TAPE DIMENSIONS



UNIT: mm

	W	A0	B0	K0	P	F	E	D0	D1	P0	P2	T
DIM.	12.00	6.4	6.3	3.15	8.00	5.50	1.75	1.50	1.50	4.00	2.00	0.35
TOL.	±0.3	±0.1	±0.1	±0.1	±0.1	±0.15	±0.1	±0.1	±0.1	±0.1	±0.1	±0.05

10-2. CARRIER REEL DIMENSIONS



UNIT: mm

Type	A	B	C	G	N	T
12mm	330	21±0.8	13±0.4	12.4	100	16.4

10-3. OUTER PACKING: 2KPCS/REEL, 6KPCS/INNER BOX, 18KPCS/OUTER BOX