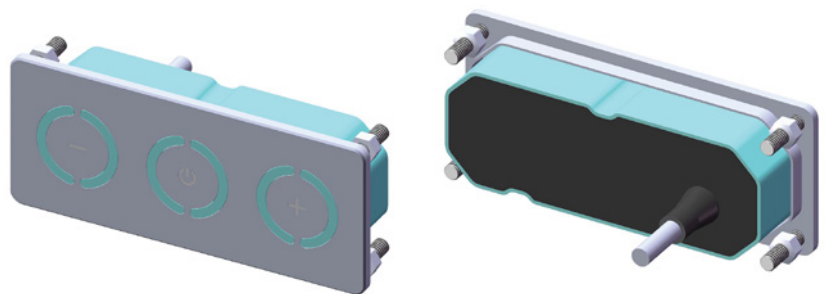


Trio Silver Panel

Key Characteristics:

- No moving parts – completely sealed against the environment
- Enhanced touch activated - operation by hand, gloves or tools
- Switching functions - momentary, toggle, prolonged, continuous, timer and programmable
- Optional Smart Switch technology - self-diagnostic, Wi Fi, Bluetooth and IoT capabilities



Electrical Data

Actuation Force	3-5 N
Make Impulse Time	125-300 mSec
Operating Voltage	24VDC 200mA
Open collector outputs	500 mA max

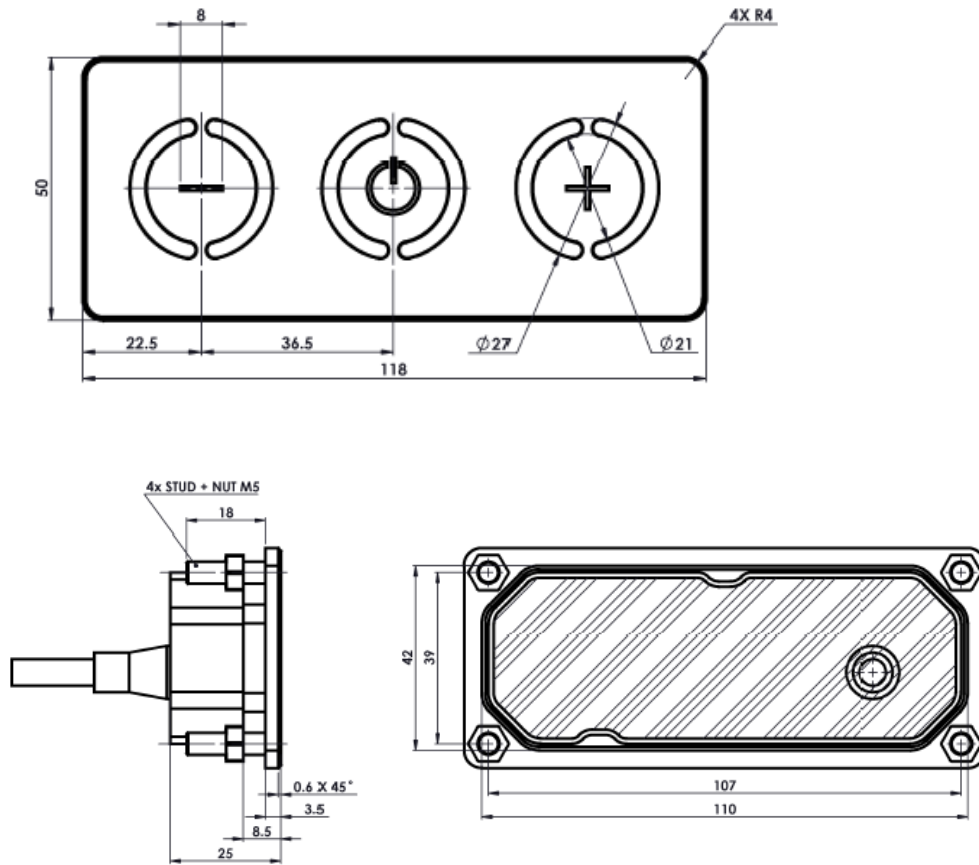
Mechanical Data

Housing Materials	STS 316
Connection	Cable 8x0.14, Length 5m.
Finish	Natural Passivation & Laser Engraving

Environmental Data

Operating Temperature	-20°C to +75°C
Storage Temperature	- 40°C To +85°C
IP Protection	IP68K

Technical Drawing



*The specifications, descriptions and illustrations indicated in this document are based on current information. All content is subject to modifications and amendments. Users should evaluate the suitability and test each product selected for their own applications.