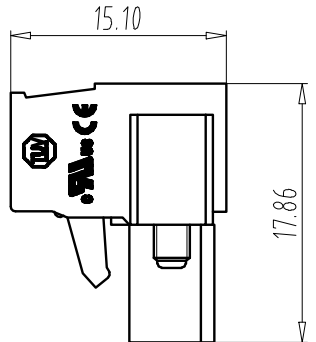
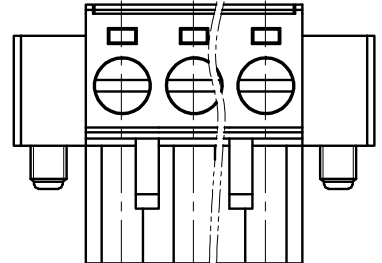
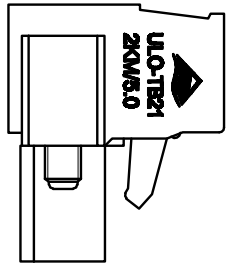
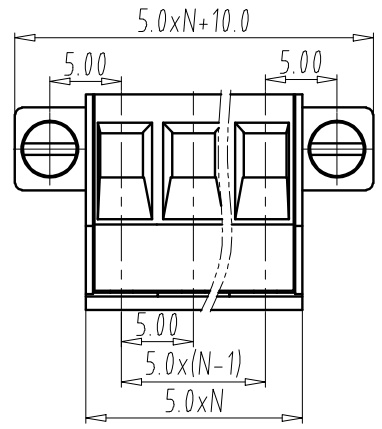


REV	E.C.N NO.	CONTENT	CHK	DATE



NOTES1:

UL Standard

Use group	B	C	D
Rated Current	15A	-	10A
Rated Voltage	300V	-	300V

2.Wire range:12-28AWG

IEC Standard

Pollution Degree	2
Overvoltage Category	II
Rate Impulse Voltage(KV)	4.0KV
Rate Voltage(V)	320V
Rate Current(A)	20A

2.Wire range: 1.0-2.5mm²

NOTES2:

- 1.Housing: PA66(UL94V-0)
- 2.Cover:PA66(UL94V-0)
- 3.Block:Brass(Ni Plated)
- 4.Clamp:Phosphor Brons(Tin Plated)
- 5.Screw:Steel(Zn Plated/M3.0)
- 6.Screw:Steel(Zn Plated/M2.5)

NOTES3:

- 1.Pitch: 5.0mm Poles: 02-24P
- 2.Stripping length: 7mm
- 3.Operating temperature: -40℃~+105℃
- 4.RoHS Compliance

How to order

ULO-TB21 - 2KM/5.0 - XXP - Y 0 0 0A

Certificate Series NO. Factory Code poles Customer requirements

color:
 1:Grey 2:Blue 3:Black
 4:Green 5:Orange 6:Red
 7:transparent 8:Yellow 9:White

Total Pitch Tolerances in mm										Nominal dimension range in mm										⊥	=	-	//	
over 0	over 30	over 53	over 70	over 90	over 115	over 150	over 200	over 250	over 320	over 0	over 30	over 53	over 70	over 90	over 115	over 150	over 200	over 250	over 320	0	over 10	0	over 100	over 150
to	to	to	to	to	to	to	to	to	to	to	to	to	to	to	to	to	to	to	to	10	all	to	to	150
±0.18	±0.20	±0.25	±0.3	±0.35	±0.44	±0.55	±0.70	±0.75	±0.20	±0.25	±0.30	±0.30	±0.35	±0.44	±0.55	±0.70	±0.80	±0.90	0.2	0.3	0.3	0.2	0.3	0.5

ITEM	NAME OF PART	NO. OF PART	Q"TY	MATERIAL	NOTE
DWG.	LZW	DATE	21.04.28	UNITS	MM
CHK.	DATE	SCALE	1:1	SHEET/OF	A4
APP.	DATE	NAME	ULO-TB21-2KM/5.0-XXP-Y000A		
NINGBO ULO ELECTRONICS CO.,LTD. 宁波欧路电子有限公司				DWGNO.	ULOTB21Y000A