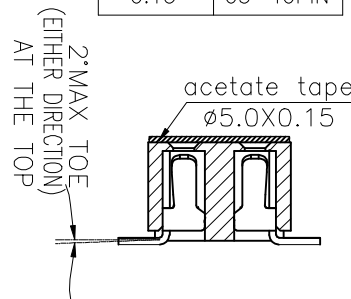
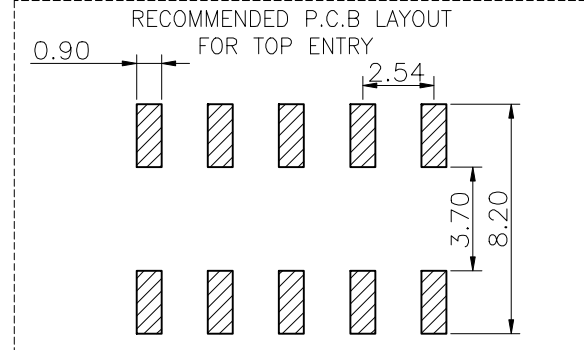
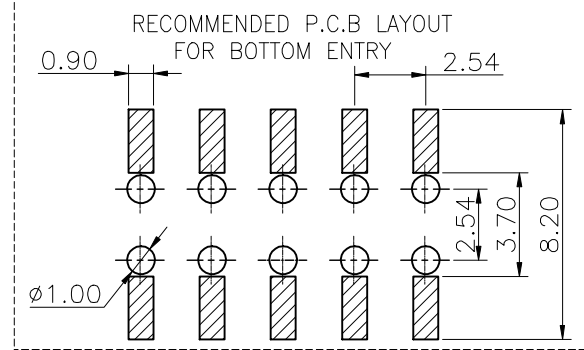
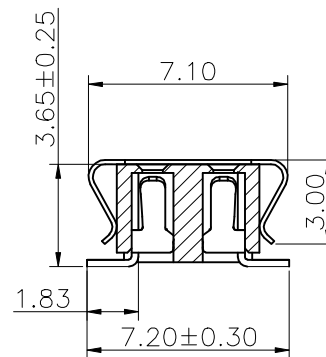
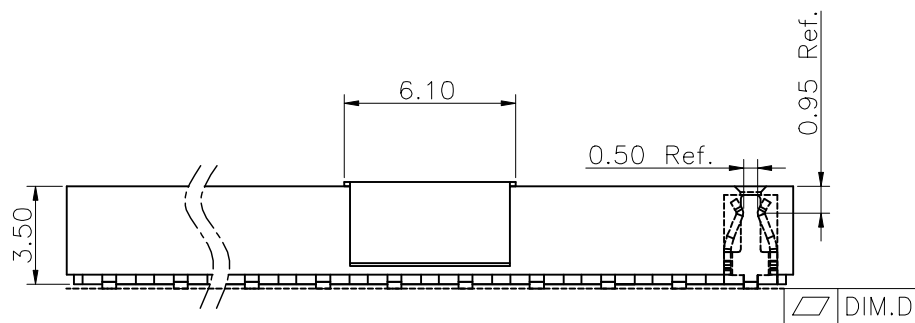


DIM.D	NOTE
0.10	02~04PIN
0.15	05~40PIN



REV.	LOCAS.	DESCRIPTION	DATE	DRAWN
01	NEW	BATCH PRODUCTION INITIAL RELEASE.	2020.12.01	何東華

Specifications
 Current Rating:3Amp
 Insulation Resistance:1000MΩMin.
 Dielectric Withstanding Voltage:600VAC
 Contact Resistance:20mΩMax.
 Operating Temperature:-40°C to +105°C
 Materials
 Contact Material:Phosphor Bronze
 Insulator Material:High Temperature Thermoplastic, UL 94V-0 Nylon (Halogen Free) or the equivalent material
 All materials must meet Greenconn requirement for environment protection.



Ordering Information

C SHC211 - XX XX A 012 R 1 S X

No. of Pins per Row
02~40

Standard Plating
02=Gold Flash
Selective Plating
01=Tin
05=Gold Flash/Tin

Color
1=Black

Standard Packing
C=Tube(03~40pin)
Selective Packing
A=Box
E=Cap+Tube(03~40pin)
F=Cap+Tape&Reel
G=Acetate Tape+Tube(03~40pin)
H=Acetate Tape+Tape&Reel



3RD.ANG PROJ.
PAGE. 1/1

GENERAL TOLERANCE	
X'±5.0'	X.±0.30
.X'±3.0'	.X±0.25
.XX'±2.0'	.XX±0.15
.XXX'±1.0'	.XXX±0.10

DESIGNED: 何東華 DATE: 2020.12.01
 CHECKED: DATE:
 APPROVED: DATE:

DWG. NO.
CSHC211-CA12RS
 PART NO.
CSHC211-XXXX A012R1SX

TITLE.
2.54 FEMALE HEADER
DUAL ROWS SMT TYPE
CONNECTOR

REV.	UNIT.	SCALE.
01	mm	4:1