



Product Specifications

Customer	
Model	NTOD215 V500



Records of Revision			
Vision	Vision	Vision	Vision
v2303.1	Preliminary Specification		



Features

- ★ 21.5 inch Industrial Grade Panel, 1920x1080 (FHD) Resolution
- ★ AHVA Wide Viewing Angle Technology , 178°/178°
- ★ IP68 Level Waterproof Enclosure
- ★ Stainless Steel Cabinet
- ★ AG Coating Surface Treatment
- ★ HDMI Video Input
- ★ Optional Resistive/Capacitive Touch Options
- ★ Optional High Brightness 1500nits, for Outdoor Environment
- ★ Optional Auto Dimming Function (with Light Sensor)
- ★ Made in Taiwan, 3 Years Warranty, Designed for Harsh Environments



PSE



BSMI



RoHS



CE



ISO9001



FCC





Display Specifications

Model Name	NTOD215 <u>XX</u> SDA-GGSL <u>X0</u> -500*	Display Mode	AHVA Mode, Normally Black
Screen Diagonal	546.21mm (21.5 inch)	Response Time	22 msec.
Display Area	476.0x267.7 mm	Backlight Unit	LED (white LED)
Resolution	1920x1080 (FHD)	Viewing Angle (L/R, U/D)	178°/178° (CR=10)
Contrast Ratio	1000:1	Backlight Lifetime	>50,000 Hours
Display Ratio	16:9	Operating Temp.	0~60°C
Support Colors	16.7M Colors	Storage Temp.	-20~60°C
Pixel Pitch	247.95x247.95 um	Surface Treatment	Anti-glare, Hardness 3H

* X = A~Z, 0~9 (Depends on options)

Display Options

Brightness			
	Brightness	Environment	Model Name
Standard	250nits	General (Indoor)	NTOD215 <u>N</u> SDA-GGSL <u>X0</u> -500
Option	1500nits	Sunlight Readable	NTOD215 <u>H</u> <u>X5</u> DA-GGSL <u>X0</u> -500

Accessories

Item	Description	Quantity
HDMI Cable	HDMI Waterproof Connector, 2M	1
USB Cable	USB 3.0 Waterproof Connector, 2M	1
Power cord	*Country Specific	1



Touch Options

Projected Capacitive			
Model Name	NTOD215X <u>P</u> SDA-GGSL <u>U</u> 0-500		
Touch Technology	Projected Capacitive	Transparency	≥87%
Allowed Touch Points	10 points	Surface Treatment	AG Coating
Transparency	USB/RS232 (Option)	Thickness of Cover Lens	2.9±0.2mm
IK Ratings	IK07	Hardness of Cover Lens	7H

Resistive			
Model Name	NTOD215X <u>5</u> SDA-GGSL <u>U</u> 0-500		
Touch Technology	Resistive	Transparency	80%±5%
Allowed Touch Points	Single point	Surface Treatment	AG Coating
Transparency	USB	Hardness of Cover Lens	≥3H

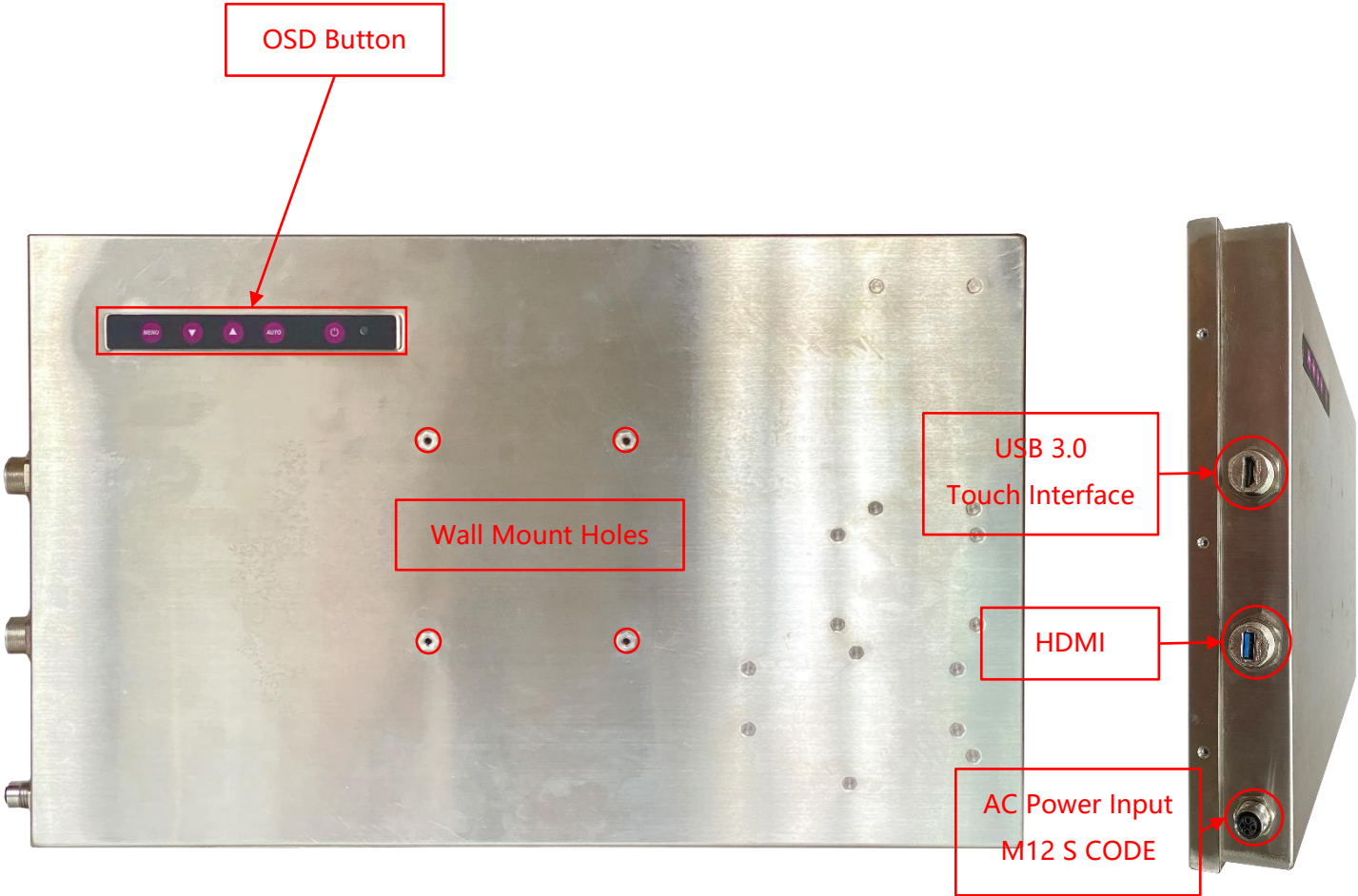
Non-Touch	
Model Name	NTOD215X <u>0</u> SDA-GGSL <u>0</u> 0-500

Supported OS

Windows	Win7, Win8, Win10, Win11 ↑
Linux	Kernel 2.6.24 ↑
Android	3.0 ↑
Mac	10.5.x ↑ (Intel CPU)



Input /Output System



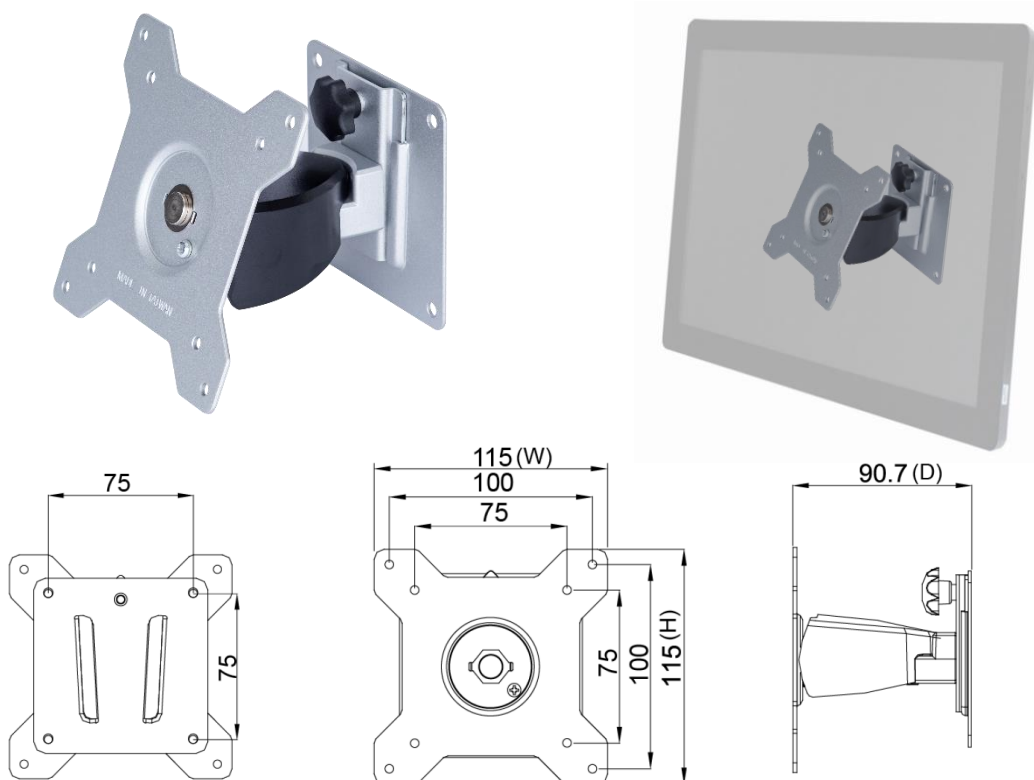


Desktop Stand (Option)

Item	B Stand	Part No.	DST-0B002/DST-1B002
Mounting Pattern	100x100 / 75x75 mm	Dimension (WxHxD)	203x275x227 mm
Material	Steel/Plastic/Aluminum	Net Weight	1.8 KG
Tilt (Hinge)	-2° ~ +180°	Support Max. Weight	15 KG



Wall Mount Bracket (Option)





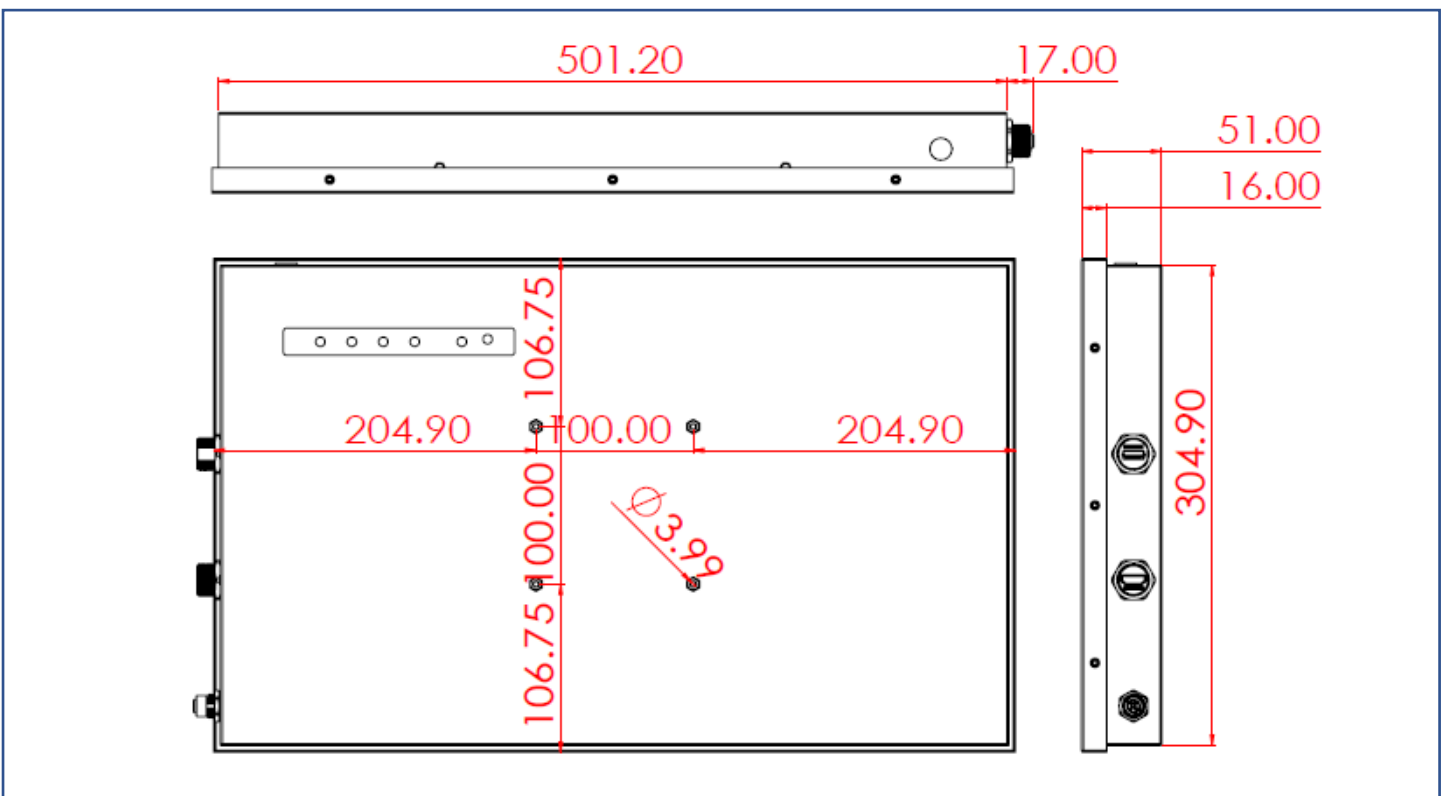
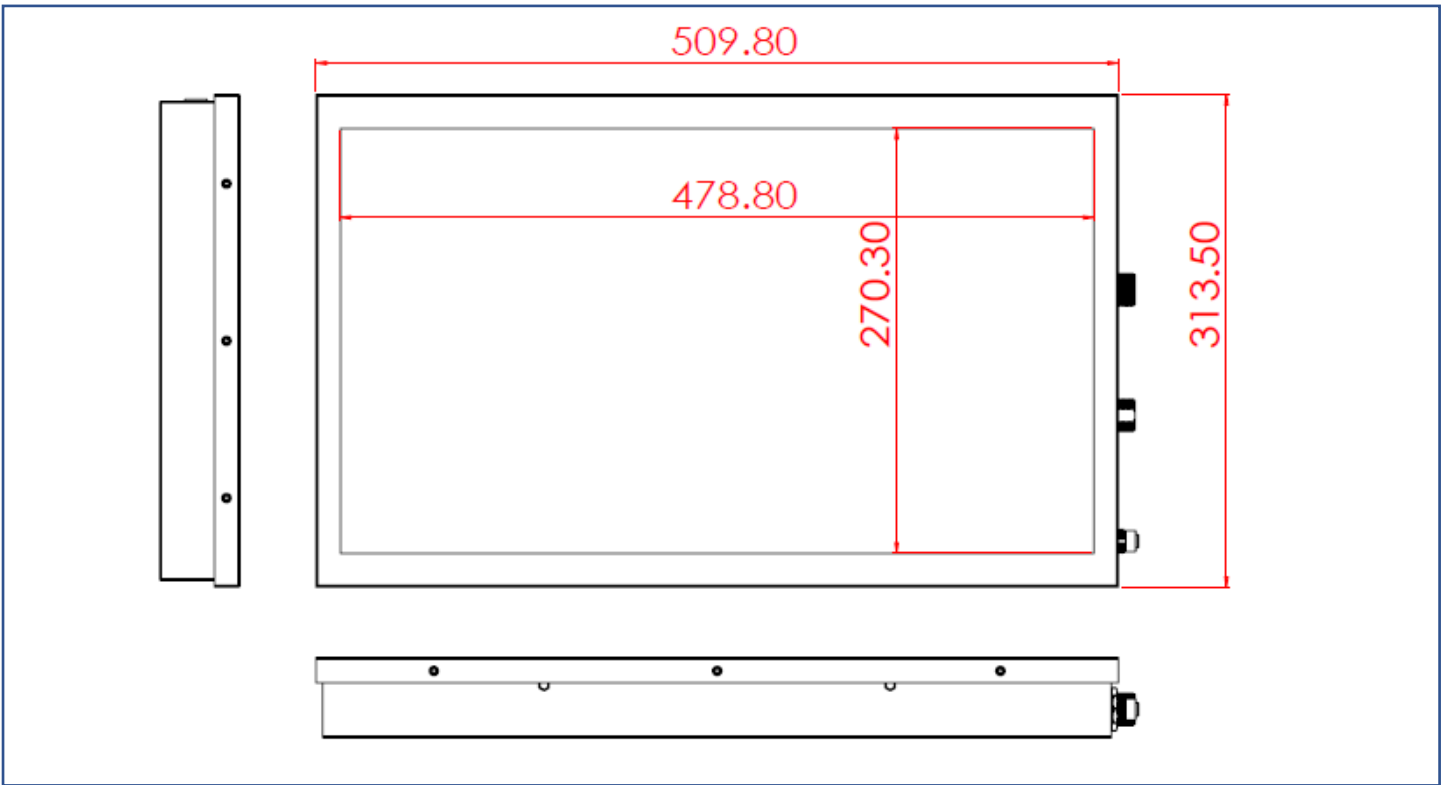
Packing Information



Unit Carton Size	677x161x440 mm
Unit N. Weight	≤5.9 KG
Unit G. Weight	≤7.9 KG
Units per Pallet	30 units
Pallet Size	120x100x147 CM

Physical Specifications

Dimension (Max)	510x315.5x51(±2)mm	Net Weight	≤ 5.9 KG
VESA Mounting	100x100 mm	Gross Weight	≤ 7.9 KG



Cosmetic Inspection Standard

Display Area Allowance			
Defect description	Defective Specifications	Allowance	Remarks
Dot Defect (including dark dot, particles, bubbles, pits, dust, foreign matter)	$D \leq 0.2\text{mm}$	Ignored	D=Diameter
	$0.2 < D \leq 0.7\text{mm}$	$N \leq 5$	N=Quantity
	$0.7 < D \leq 1\text{mm}$	$N \leq 3$	
	$D > 1\text{mm}$	$N \leq 0$	
Linear Defect (including scratches, fluff, particles)	$W \leq 0.15\text{mm}$	Ignored	W=Width
	$0.15 < W \leq 0.5\text{mm}, L \leq 15\text{mm}$	$N \leq 2$	L=Length
	$W > 0.5\text{mm}$ or $L > 15\text{mm}$	NG	

* Visual inspection distance: 60cm, 90 degree (same for front/side/back)

Front Appearance Allowance (Including Coating)			
Defect description	Defective Specifications	Allowance	Remarks
Dot Defect (including particles, bubbles, pits...etc.)	$D \leq 0.7\text{mm}$	Ignored	D=Diameter
	$0.7 < D \leq 1.5\text{mm}$	$N \leq 3$	N=Quantity
	$D > 1.5\text{mm}$	$N \leq 0$	
Linear Defect (including scratches, fluff, particles)	$W \leq 0.2\text{mm}, L \leq 15\text{mm}$	Ignored	W=Width, L=Length
	$0.2 < W \leq 0.7\text{mm}, L \leq 15\text{mm}$	$N \leq 1$	
	$W > 0.7\text{mm}$ or $L > 15\text{mm}$	NG	

Side / Back Appearance Allowance (Including Coating)			
Defect description	Defective Specifications	Allowance	Remarks
Dot Defect (including particles, bubbles, pits...etc.)	$D \leq 1.5\text{mm}$	Ignored	D=Diameter
	$1.5 < D \leq 3\text{mm}$	$N \leq 8$	N=Quantity
	$D > 3\text{mm}$	$N \leq 2$	
Linear Defect (including scratches, fluff, particles)	$W \leq 0.8\text{mm}, L \leq 15\text{mm}$	Ignored	W=Width, L=Length
	$0.8 < W \leq 1.5\text{mm}, L \leq 15\text{mm}$	$N \leq 5$	
	$W > 1.5\text{mm}$ or $L > 15\text{mm}$	NG	



Front Appearance (Red Area)



Back Appearance