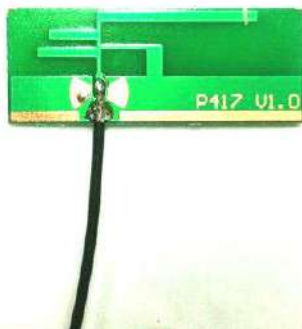
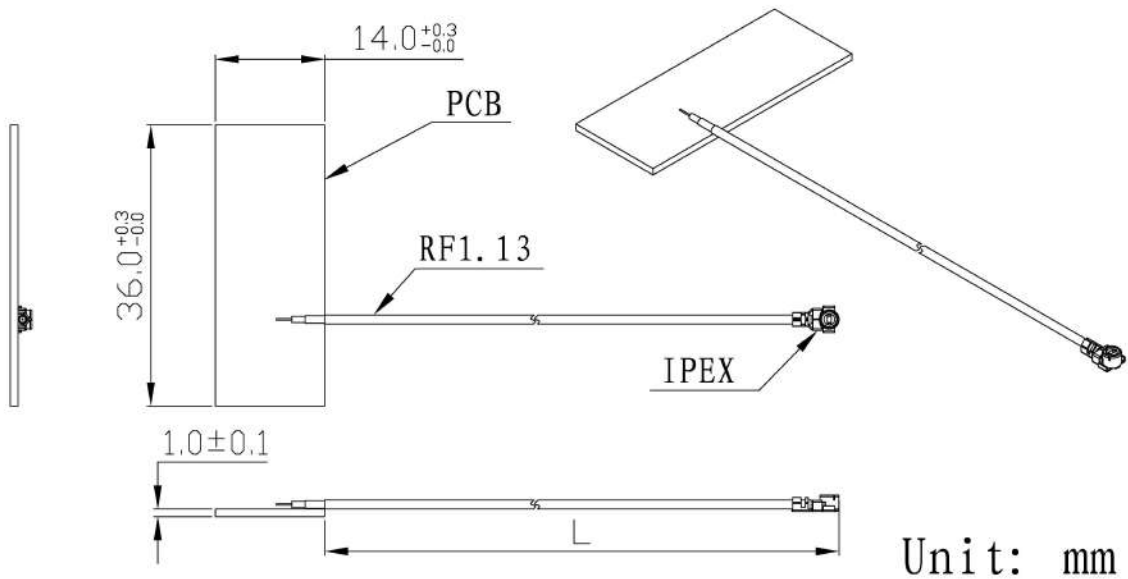


WIFI Internal Antenna JCW417



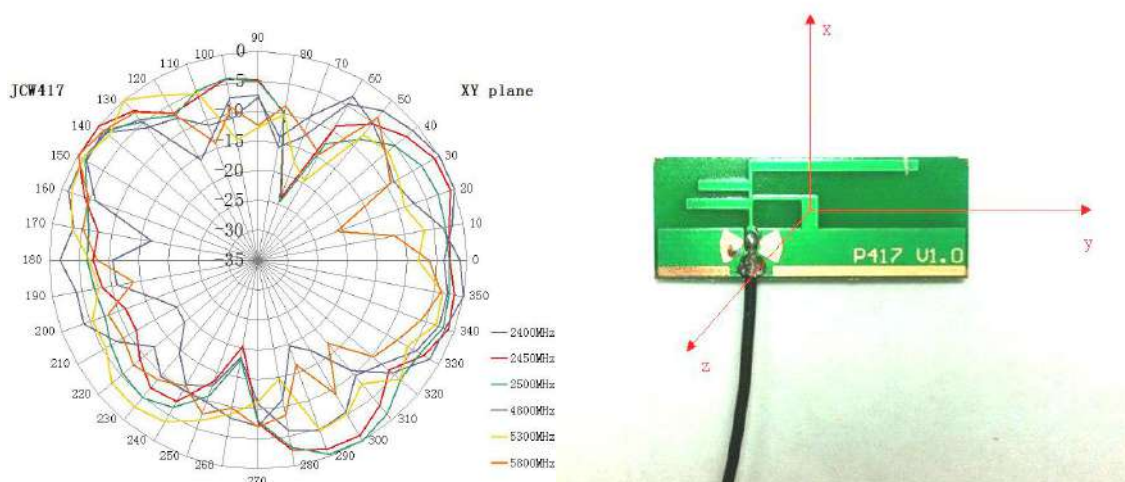
DIMENSIONS



SPECIFICATIONS

Item	Specifications	
Antenna	Frequency Range	2400~2483.5MHz/4900~5825MHz
	Polarization	Linear
	Gain	2dBi
	V.S.W.R	<2.5(min)
	Impedance	50 Ω
	PCB Dimension	36*14*1mm
Mechanical	Cable	RF1.13/RF1.37 or others
	Connector	IPEX or others
	Mounting Method	Embedded or Adhesive
Environmental	Operating Temperature	-40°C~+85°C
	Vibration	10 to 55Hz with 1.5mm amplitude 2hours
	Environmentally Friendly	ROHS Compliant

Radiation Pattern





Jinchang Electron Global Service

