

## 12W DALI + PUSH Dimming power supply



■ Approve

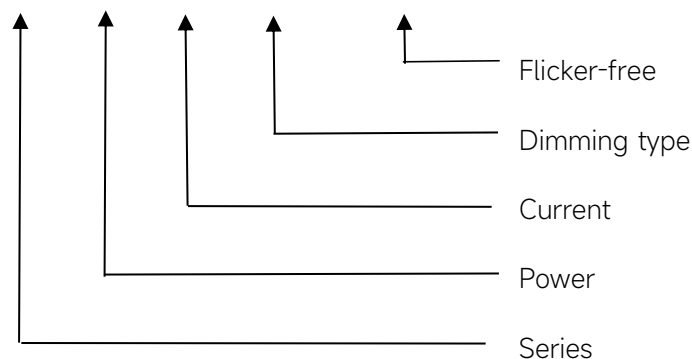


### ◆ Description

FLS-12-350 DALI2 LD is a 12W constant current LED driver with 120 to 350mA output current and a forward voltage range from 9 to 42Vdc. The output current is adjustable by DIP Switch. With its dimensions from 119 x 40 x 21.5 mm it is easy to integrate in LED strips, LED panel, spot and down light products. To ensure trouble-free operation, protection is provided against output short circuit and over Load.

### ◆ Model code

#### FLS-12-350 DALI-2 LD



#### Features

- Class II, SELV, built-in/independent (With side caps)
- Input Voltage 220-240VAC
- Protections: SCP/OLP/OVP/OTP
- Power Factor : 0.95
- Efficiency : 82%
- Support DALI-2, Push Dimming
- 5 years warranty

#### Applications

- LED panel, Spot light, Down light

## ◆ Specification

	Constant Current (mA)	120	150	180	200	250	280	300	350	
Output	Voltage Range (VDC)	9-42								
	Unload voltage Max.	57VDC								
	Current Accuracy	±7%				±5%				
	Output LF current ripple(≤120Hz)	±5%								
	SVM	≤0.4								
	P <sub>st</sub>	≤1								
	Efficiency(Typ.)	82%@Full load								
	Input	Rated input voltage	220-240VAC							
Range of input voltage		198-264VAC								
Range input voltage(DC)		198-280VDC								
Frequency(Hz)		0/50/60 Hz								
Displacement factor		≥0.7								
Power Factor		0.95@Full load								
Input Current		0.12A								
Start-up time		< 0.7S								
No Load Power		≤0.5W								
Standby Power		≤0.5W								
Network standby power		≤0.5W								
THD (Typ.)		<10%@Full load								
Dimming	Dimming	YES								
	Dimming mode	DALI-2 (IEC 62386-101,102,207) & Push Dimming (Corridor Function)								
	Dimming depth	1%								
	Dimming current range	1 ~100%								
Protection	Over Load Protection	103-120%								
		YES/Latch off								
	Over Voltage Protection	> 57VDC								
		YES/Latch off								
Environment	Short circuit Protection	YES/Latch off								
	Over Temperature Protection	YES/Auto Resume								
	Operating Temperature	-20°C~+45°C								
	Humidity	20%-90%RH								
	T <sub>c</sub>	80°C								
Surface	Storage Temperature	-25°C~+60°C								
	Lifetime	>50000h,@T <sub>c</sub> =65°C								
standards	Dimension	85X40X21.5mm(With side caps :119X40X21.5mm)								
		EN 61347-1; EN61347-2-13; EN62384; EN55015; EN61000-3-2 ; EN61000-3-3; EN 61547;								

Others	ErP	EU 2019/2020
	RoHS	RoHS (2011/65/EU) (EU)2015/863
Note	1.All parameters NOT specially mentioned are measured at 230VAC input , full load and 25°C of ambient temperature. 2.Ripple & Noise are measured at 20MHz of bandwidth by using a 300mm twisted pair-wire terminated with a 0.1uF & 47 uF parallel capacitor.	

## ◆ Parameter

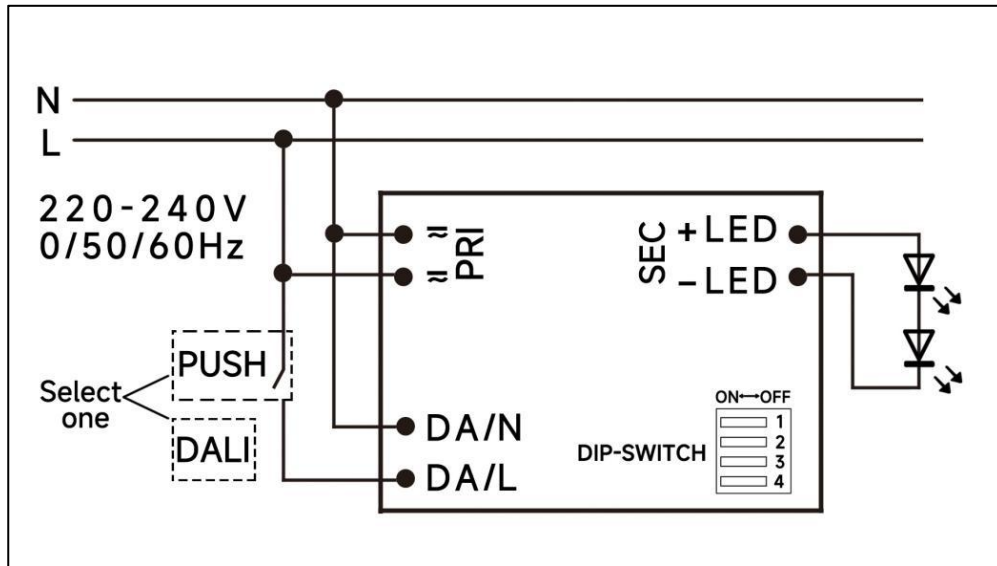
Number	Output	Switch position		
	Current(mA)	1	2	3
1	120	--	--	--
2	150	ON	--	--
3	180	--	ON	--
4	200	ON	ON	--
5	250	--	--	ON
6	280	ON	--	ON
7	300	--	ON	ON
*8	350	ON	ON	ON

\* Factory default

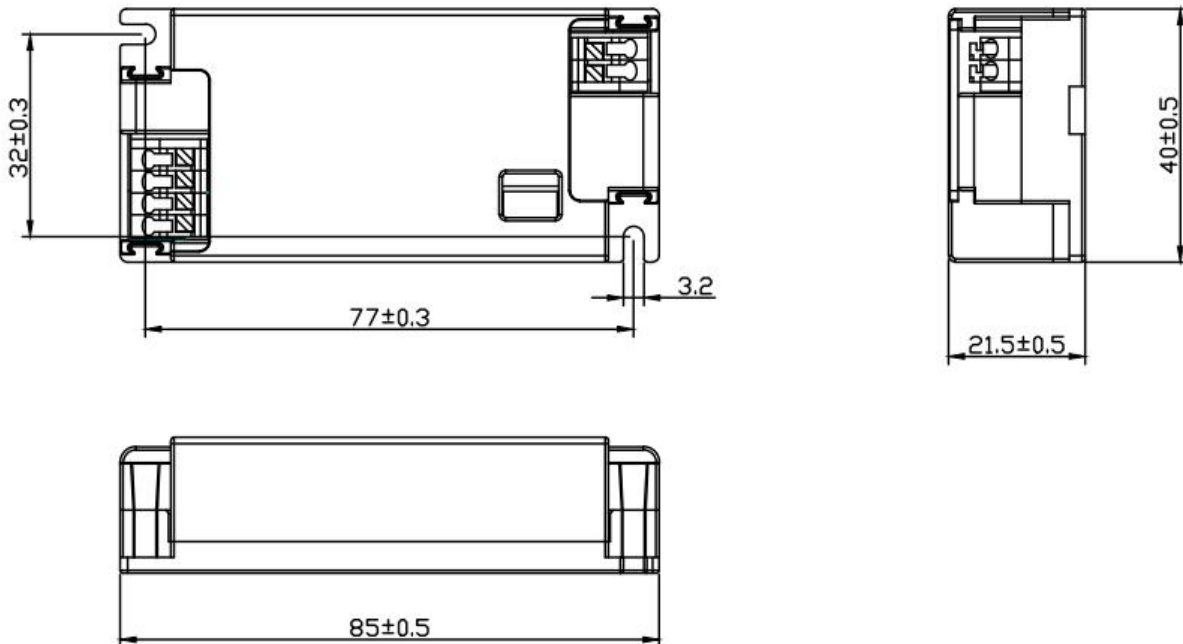
## ◆ Circuit Breaker

I <sub>peak</sub>	T <sub>width</sub>	B10	B16	B20	C10	C16	C20
3.3A	41.2μs	66pcs	106pcs	133pcs	66pcs	106pcs	133pcs

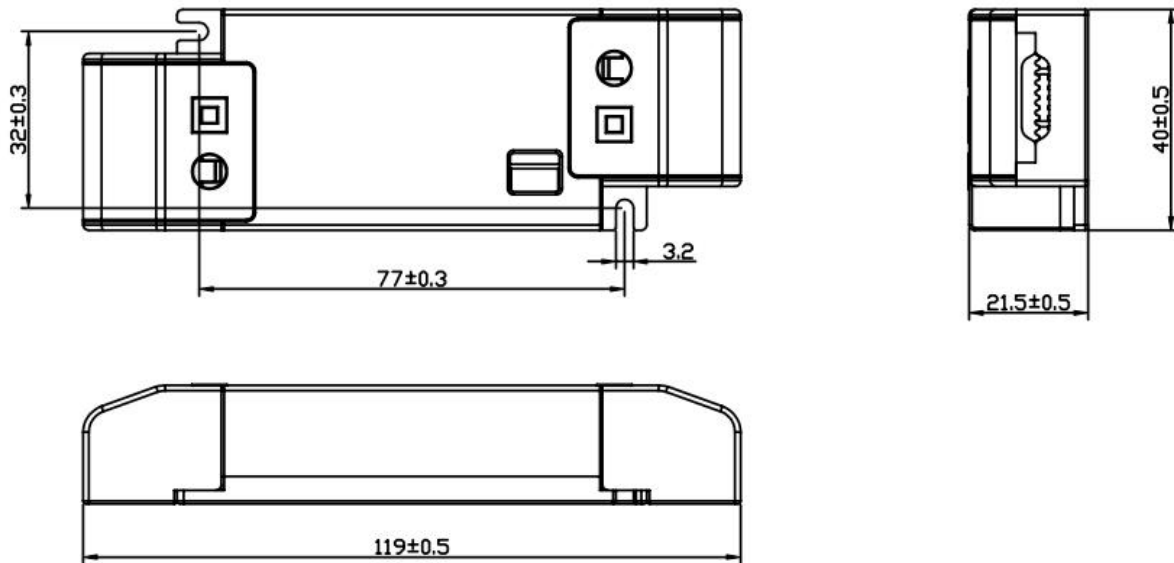
◆ **Wiring diagram**



◆ **2D diagram**



With side caps

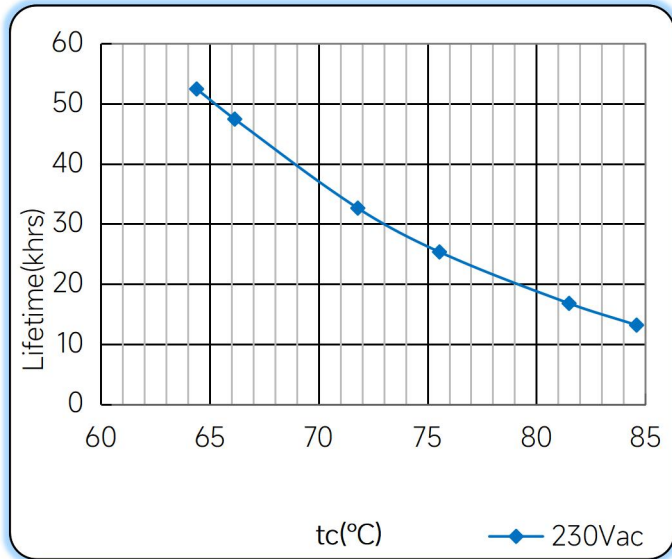


## ◆ Wiring & Connections

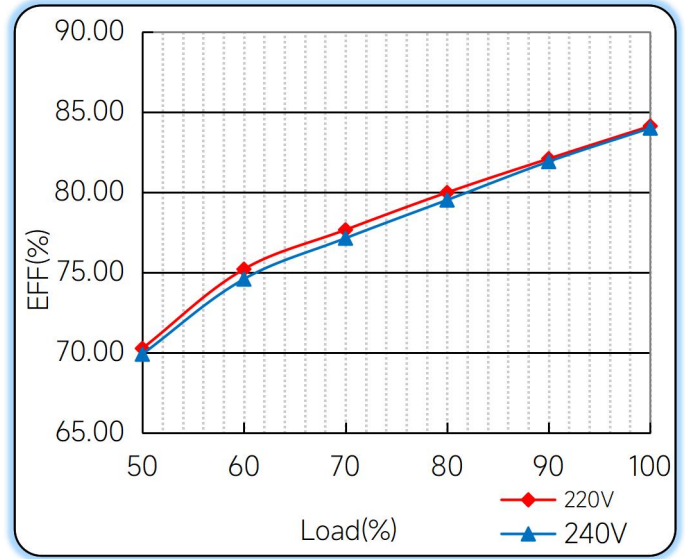
Specification item		Value (Unit )
Input	Input wire cross-section	0.5...1.5 mm <sup>2</sup>
	Input wire gauge.	16...20 AWG
	Input wire strip length	8...9mm
Output	Output wire cross-section	0.5...1.5 mm <sup>2</sup>
	Output wire gauge.	16...20 AWG
	Output wire strip length	8...9mm

## ◆ Curve for FLS-12-350 DALI-2 LD, $I_o=350mA$

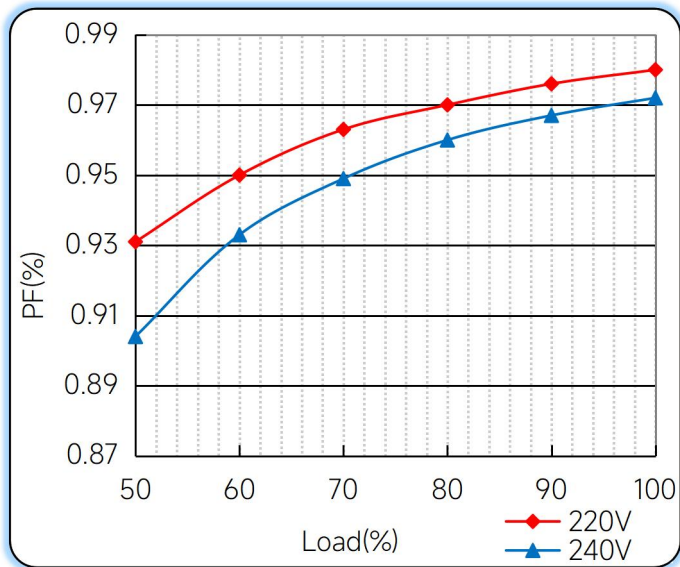
### Lifetime vs. Temperature Curve



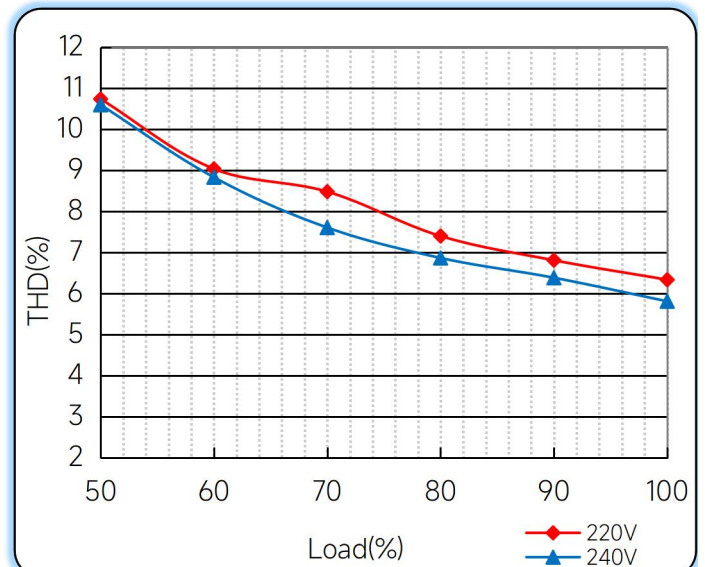
### Efficiency vs. Load



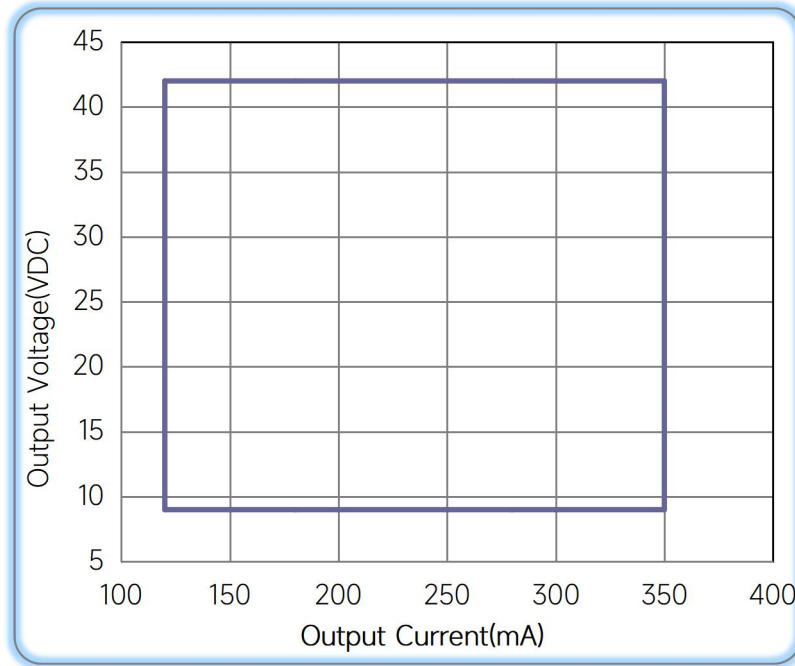
### Power Factor Characteristics



### THD vs. Load



◆ **Operating window**



Operating window 100%

◆ **Revision Updates**

ITEM	BEFORE	AFTER	VERSION	DATE
Initial			A	2022/02/15
Start-up time	0.5S	0.7S	A	2022/08/12

Tel: +86-0757-86256822, +86-0757-86256831

E-mail: sales@eaglerise.com

Website : <https://lighting.eaglerise.com>



EAGLERISE



Manual