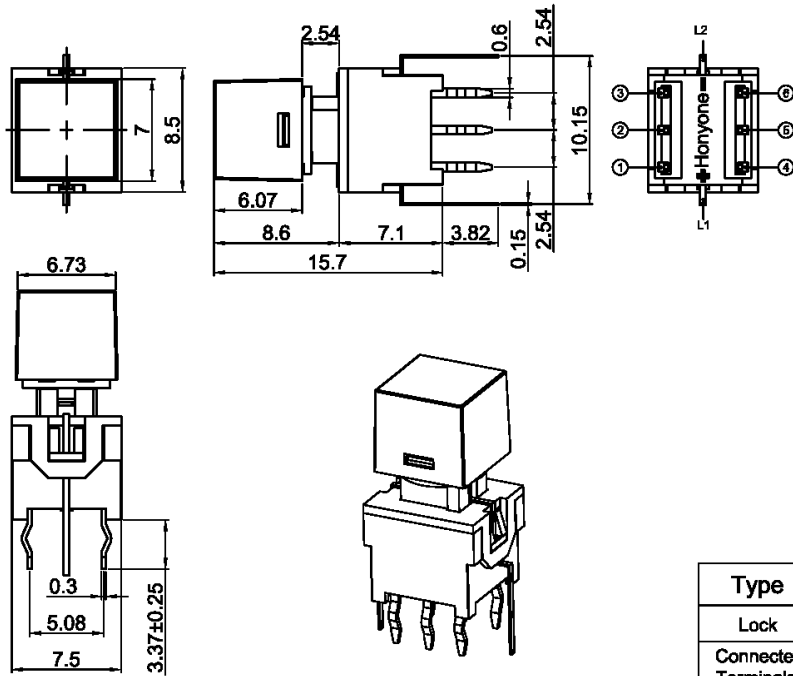


惠州宏利源电器有限公司
HONYONE ELECTRICAL APPLIANCE CO.,LTD

TS6



SPECIFICATIONS

Circuit : DPDT
 Current rating : 0.1A
 Voltage rating : 30VDC
 Dielectric withstanding voltage : 250VAC for 1 minute
 Contact resistance : 100mΩ Max. (Initial)
 Insulation resistance : 100MΩ Min.
 Operating force : 150±100gf(Mormentary)
 : 250±100gf(Push to Lock)
 Full travel : 1.6±0.4mm
 Lock travel : 1.4±0.4mm
 Life Test: : 30,000 cycles Min
 Solder specifications : 260° C for 5 seconds
 Operating temperature : -20° C ~ +70° C

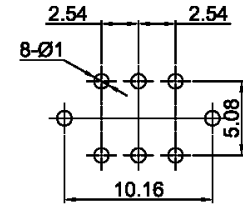
MATERIAL:

Base : PA66+GF,UL rated:94 v-2 Min;
 Cap: PC;
 Terminal: Brass,Silver plated;

CIRCUIT

Type	Switch Action		Circuit
Lock	Normal ON	Push to lock OFF	
	1 - 2	2 - 3	
Connected Terminals	4 - 5	5 - 6	
No Lock	Normal ON	Push to lock OFF	
	1 - 2	2 - 3	
Connected Terminals	4 - 5	5 - 6	
LED Circuit	L1		

P.C.B. LAYOUT



RG	Red/Green 红绿色
G	Green 绿色
W	White 白色
U	Blue 蓝色
Y	Yellow 黄色
O	Orange 橙色
R	Red 红色
灯发光颜色 X Emitted color X	

				公差 TOLERANCES		.X± 0.3 .XX± 0.15		角度 ANGLE ± 1°		单位 DIMENSION UNIT		mm.	
				视角 VIEWING ANGLE		比例尺 SCALE	NONE	日期 DATE	2017.02.22	品名 TITLE		图号 DRAWING NO	
A0	New Issue	2017.02.22	N/A	核准	Richard	核对	Sinc	绘图	姜庆勇	TS6-A-00-DTRG-0-1 (带锁带灯)		TS6-A-00-DTRG-0-1_CP_A0	
版本 VER.	变更说明 CHANGE DESCRIPTION	日期 DATE	ECN NO.	APPROVED BY		CHECKED BY		DRAWN BY					