

General Description

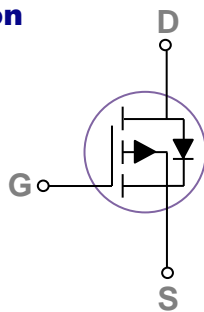
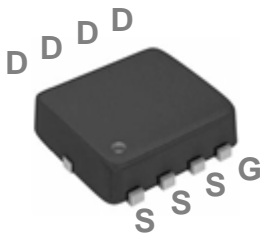
These P-Channel enhancement mode power field effect transistors are using trench DMOS technology. This advanced technology has been especially tailored to minimize on-state resistance, provide superior switching performance, and withstand high energy pulse in the avalanche and commutation mode. These devices are well suited for high efficiency fast switching applications.

BVDSS	RDSON	ID
-40V	14mΩ	-38A

Features

- -40V, -38A, $R_{DS(ON)} = 14m\Omega @ V_{GS} = -10V$
- Fast switching
- Green Device Available
- Suit for -4.5V Gate Drive Applications

PPAK3x3 Pin Configuration



Applications

- MB / VGA / Vcore
- POL Applications
- Load Switch
- LED Application

Absolute Maximum Ratings $T_C=25^\circ\text{C}$ unless otherwise noted

Symbol	Parameter	Rating	Units
V_{DS}	Drain-Source Voltage	-40	V
V_{GS}	Gate-Source Voltage	± 20	V
I_D	Drain Current – Continuous ($T_C=25^\circ\text{C}$)	-38	A
	Drain Current – Continuous ($T_C=100^\circ\text{C}$)	-24	A
I_{DM}	Drain Current – Pulsed ¹	-152	A
EAS	Single Pulse Avalanche Energy ²	130	mJ
IAS	Single Pulse Avalanche Current ²	51	A
P_D	Power Dissipation ($T_C=25^\circ\text{C}$)	52	W
	Power Dissipation – Derate above 25°C	0.42	W/°C
T_{STG}	Storage Temperature Range	-55 to 150	°C
T_J	Operating Junction Temperature Range	-55 to 150	°C

Thermal Characteristics

Symbol	Parameter	Typ.	Max.	Unit
$R_{\theta JA}$	Thermal Resistance Junction to ambient	---	62	°C/W
$R_{\theta JC}$	Thermal Resistance Junction to Case	---	2.4	°C/W

Electrical Characteristics (T_J=25 °C, unless otherwise noted)
Off Characteristics

Symbol	Parameter	Conditions	Min.	Typ.	Max.	Unit
BV _{DSS}	Drain-Source Breakdown Voltage	V _{GS} =0V, I _D =-250uA	-40	---	---	V
I _{DSS}	Drain-Source Leakage Current	V _{DS} =-40V, V _{GS} =0V, T _J =25°C	---	---	-1	uA
		V _{DS} =-32V, V _{GS} =0V, T _J =125°C	---	---	-10	uA
I _{GSS}	Gate-Source Leakage Current	V _{GS} =±20V, V _{DS} =0V	---	---	±100	nA

On Characteristics

R _{DS(ON)}	Static Drain-Source On-Resistance	V _{GS} =-10V, I _D =-15A	---	11.3	14	mΩ
		V _{GS} =-4.5V, I _D =-8A	---	15.6	21	mΩ
V _{GS(th)}	Gate Threshold Voltage	V _{GS} =V _{DS} , I _D =-250uA	-1.0	-1.6	-2.5	V
g _{fs}	Forward Transconductance	V _{DS} =-10V, I _D =-4A	---	11	---	S

Dynamic and switching Characteristics

Q _g	Total Gate Charge ^{3, 4}	V _{DS} =-32V, V _{GS} =-4.5V, I _D =-10A	---	22.2	40	nC
Q _{gs}	Gate-Source Charge ^{3, 4}		---	8.2	16	
Q _{gd}	Gate-Drain Charge ^{3, 4}		---	8.8	16	
T _{d(on)}	Turn-On Delay Time ^{3, 4}	V _{DD} =-20V, V _{GS} =-10V, R _G =6Ω I _D =-1A	---	23	40	ns
T _r	Rise Time ^{3, 4}		---	10	20	
T _{d(off)}	Turn-Off Delay Time ^{3, 4}		---	135	250	
T _f	Fall Time ^{3, 4}		---	46	90	
C _{iss}	Input Capacitance	V _{DS} =-25V, V _{GS} =0V, F=1MHz	---	2757	4000	pF
C _{oss}	Output Capacitance		---	240	360	
C _{rss}	Reverse Transfer Capacitance		---	137	200	

Drain-Source Diode Characteristics and Maximum Ratings

Symbol	Parameter	Conditions	Min.	Typ.	Max.	Unit
I _S	Continuous Source Current	V _G =V _D =0V, Force Current	---	---	-38	A
I _{SM}	Pulsed Source Current		---	---	-76	A
V _{SD}	Diode Forward Voltage	V _{GS} =0V, I _S =-1A, T _J =25°C	---	---	-1	V

Note :

1. Repetitive Rating : Pulsed width limited by maximum junction temperature.
2. V_{DD}=25V, V_{GS}=10V, L=0.1mH, I_{AS}=51A., R_G=25Ω, Starting T_J=25°C.
3. The data tested by pulsed, pulse width ≤ 300us, duty cycle ≤ 2%.
4. Essentially independent of operating temperature.

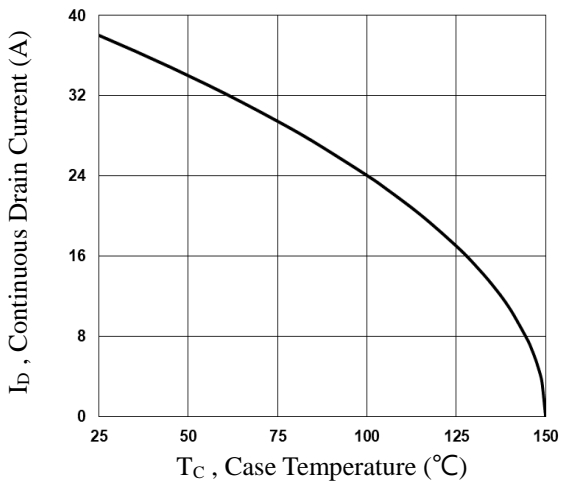


Fig.1 Continuous Drain Current vs. T_c

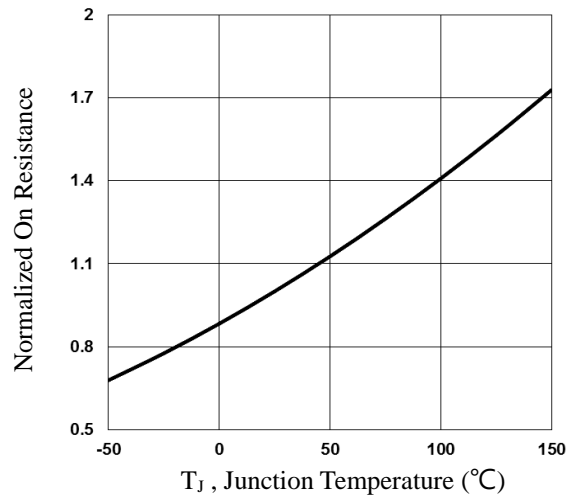


Fig.2 Normalized $R_{DS(on)}$ vs. T_j

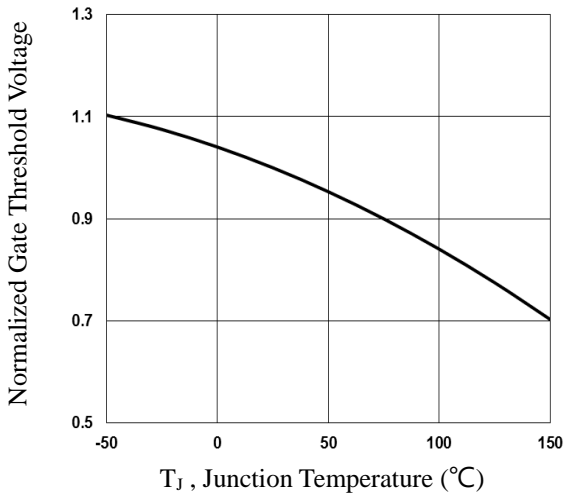


Fig.3 Normalized V_{th} vs. T_j

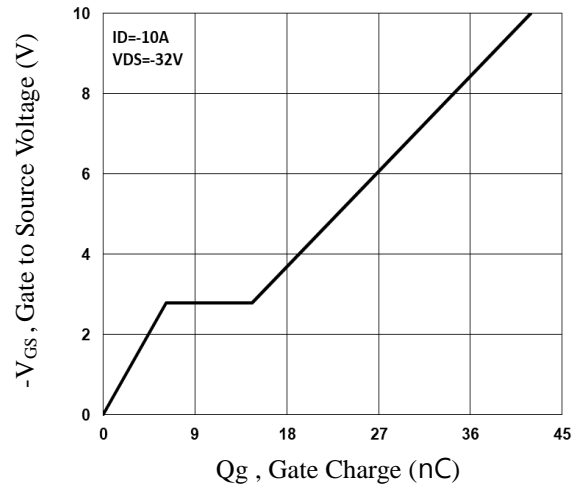


Fig.4 Gate Charge Waveform

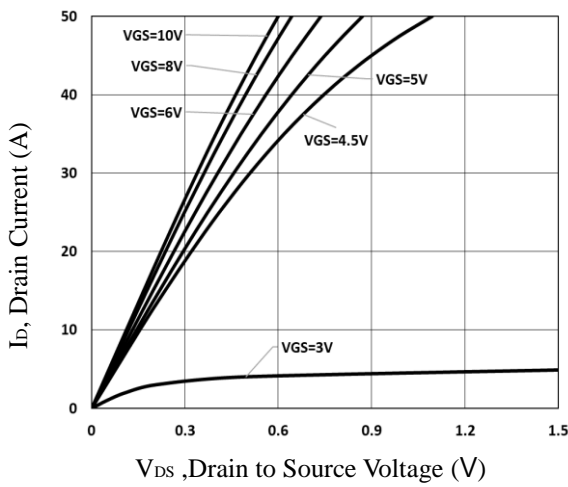


Fig.5 Typical Output Characteristics

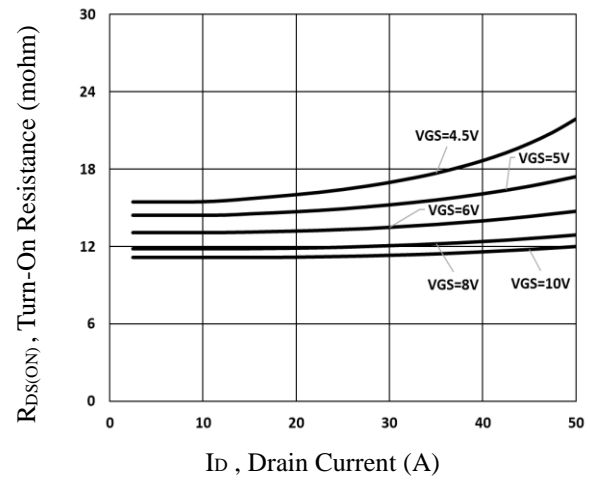


Fig.6 Turn-On Resistance vs. I_D

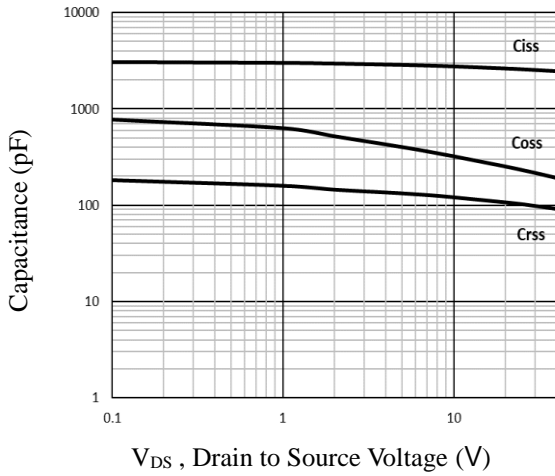


Fig.7 Capacitance Characteristics

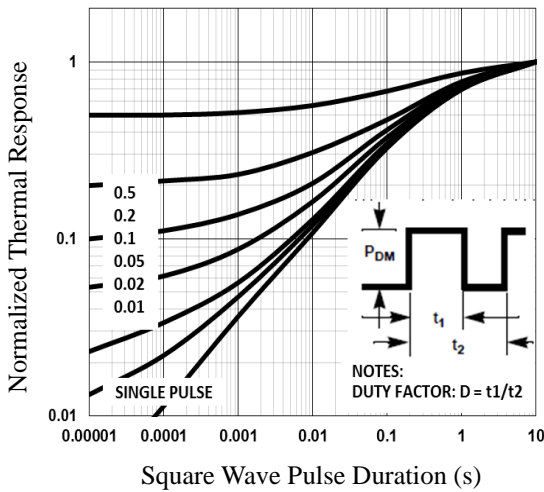


Fig.8 Normalized Transient Impedance

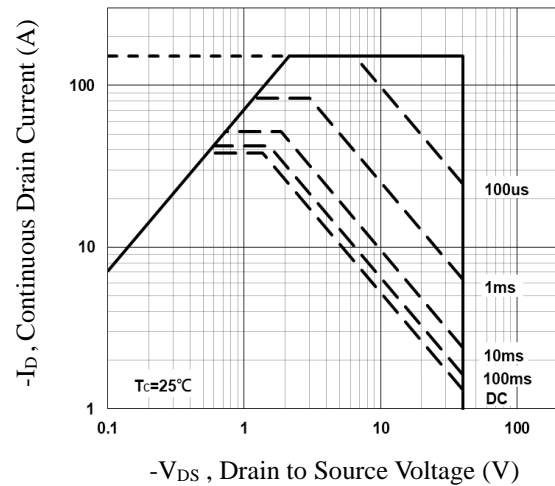


Fig.9 Maximum Safe Operation Area

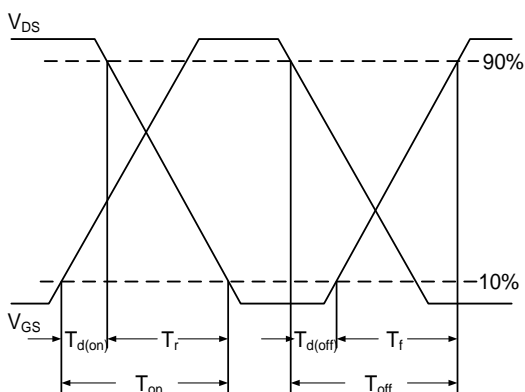


Fig.10 Switching Time Waveform

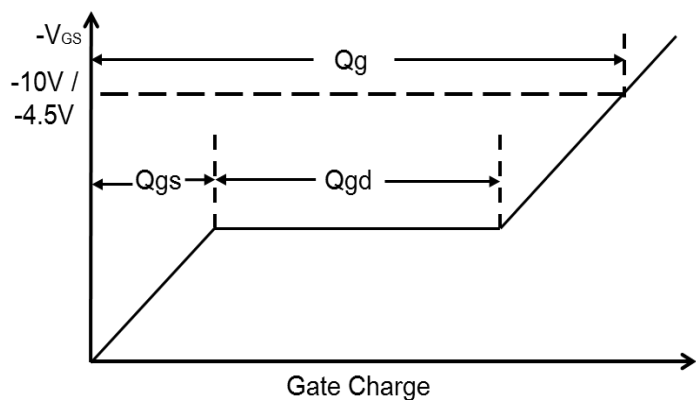
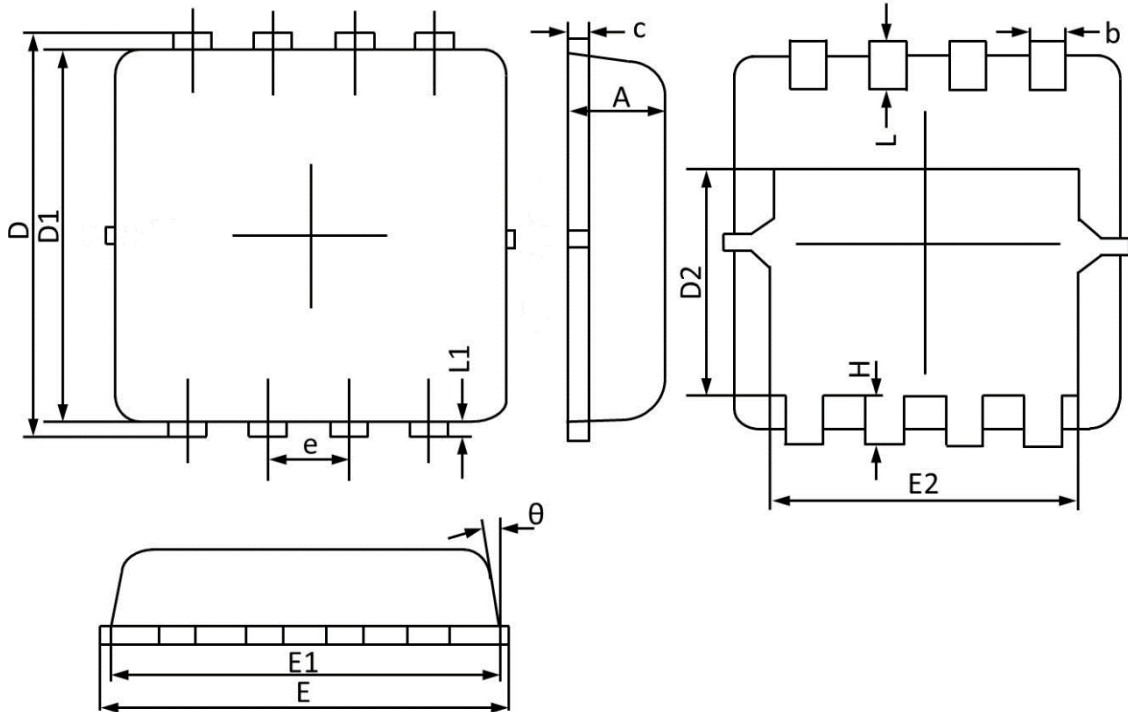


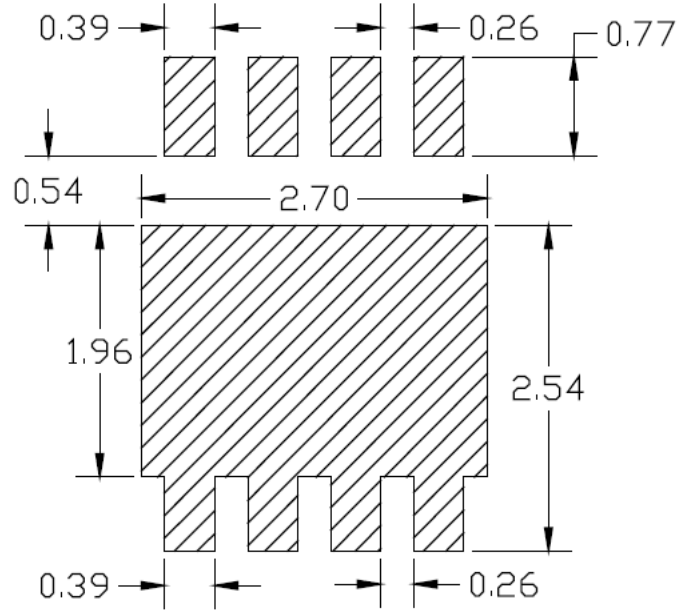
Fig.11 Gate Charge Waveform

PPAK3x3 PACKAGE INFORMATION



Symbol	Dimensions In Millimeters		Dimensions In Inches	
	MAX	MIN	MAX	MIN
A	0.900	0.700	0.035	0.028
b	0.350	0.250	0.014	0.010
c	0.250	0.100	0.010	0.004
D	3.500	3.050	0.138	0.120
D1	3.200	2.900	0.126	0.114
D2	1.950	1.350	0.077	0.053
E	3.400	3.000	0.134	0.118
E1	3.300	2.900	0.130	0.114
E2	2.600	2.350	0.102	0.093
e	0.65BSC		0.026BSC	
H	0.750	0.300	0.030	0.012
L	0.600	0.300	0.024	0.012
L1	0.200	0.060	0.008	0.002
θ	14°	6°	14°	6°

PPAK3X3 RECOMMENDED LAND PATTERN



unit : mm