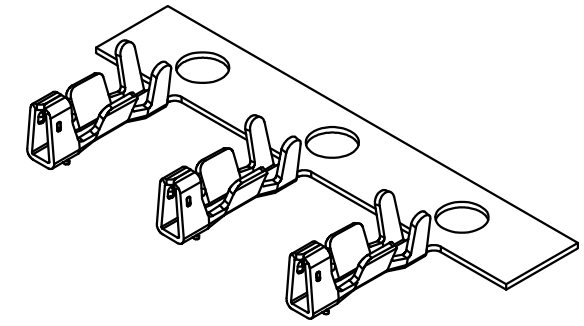
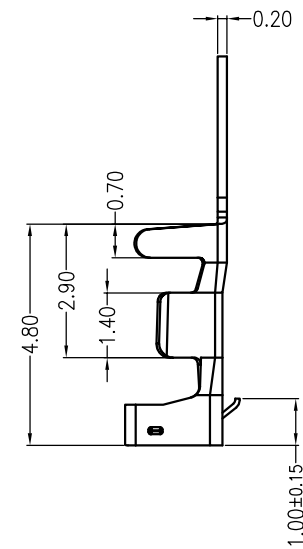
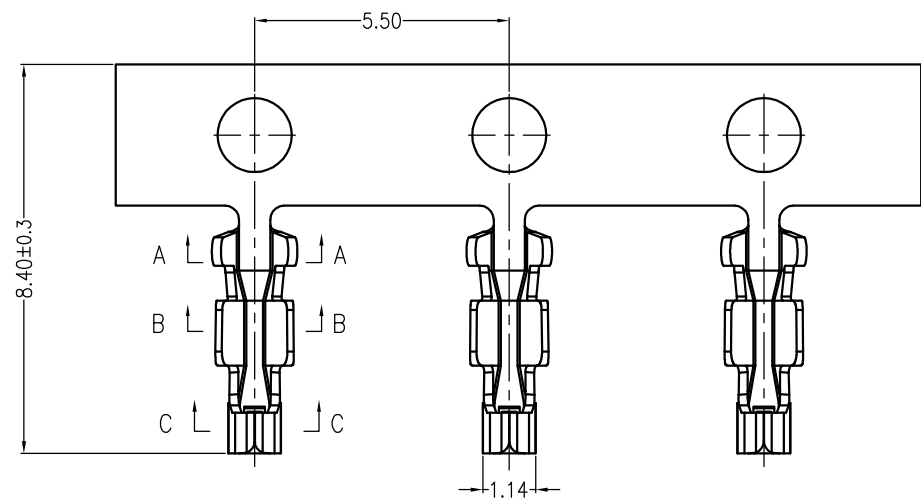
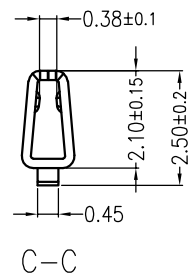
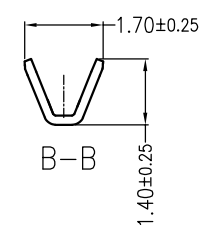
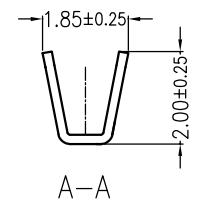
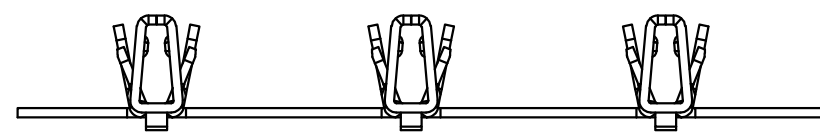


REV	ECN No.	DESCRIPTION	DESIGN	DATE
A0		Release	吴丹平	2017.03.23



Ordering Information & Specification:

Part No	Wire Range	Insulation O.D.	Material	Finish	Qty/Reel
	AWG #28 (PFA)	1.00mm (max)	Phosphor bronze	Tin-plated	14000pcs



ITEM	COMPONENT	Q'TY	MATERIAL	FINISH
C				
B				
A	CONTACT	1 PCS	PhosphorBronze	Sn-plated

<b>LEDsconn</b>			TITLE: -	
X.±0.5	X.±5'	USE: CUSTOMER	PART NO.:	
.X±0.3	.X±2'		DWG NO.:	
.XX±0.25	.XX±1'			
--	--	APPD: 邵敬和	SCALE 1 : 1	
UNITS: mm		CHKD: 田峰	SHEET 1 / 1	
		DR: 吴丹平		