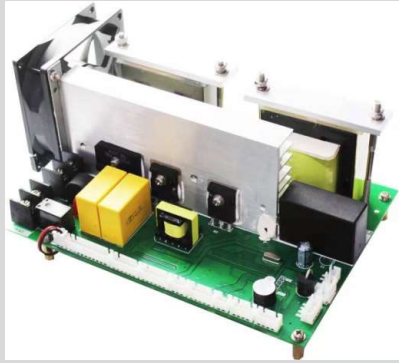
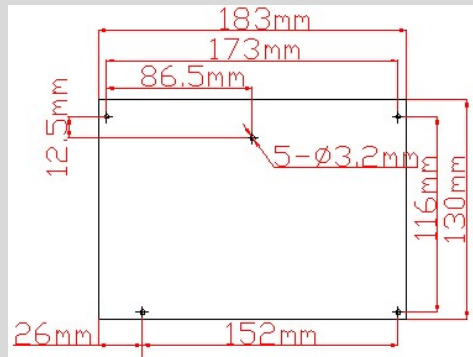


Type : QXG600P

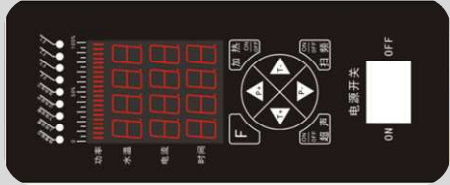
8 / 11



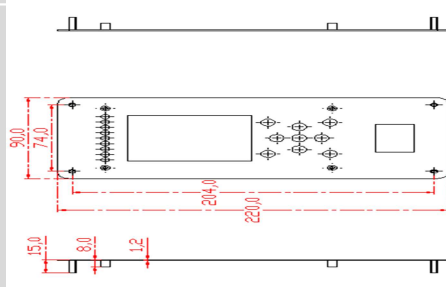
Picture



Installation Dimension



面板图



Specification :

Type	QXG600P-I	QXG600P-II
Ultrasonic Power	100-300W	400-600W
Frequency	17-200KHZ	17-200KHZ
Output Current	1.5A Max	2.5A Max
Power	0-100% Adjustment	
Timer	0-99M 59S Adjustment	
Heat Control	0-100°C Adjustment	
Water protection	Contact signal control (passive)	
Working Voltage	AC220V ±10% 50HZ (or AC110)	
Size	208*130*86mm	
Weight	1.0KG	

Optional Features :

Matching Models	Function Introduction	备注
QXG600P-E	No display board control. Start working as soon as you turn it on	
QXG600P-D	No display board control. Start working as soon as you turn it on. Potentiometer adjusts power	B103 Potentiometer
QXG600P-2F	Dual frequency output, connected with dual frequency transducer (size: 306*137*84mm)	2F Special panel
QXG600P-3F	Three frequency output, connected with three frequency transducers (size:306*137*84mm)	3F Special panel

Note: Display panel mounting bracket is optional.

Functions

1	Circuit Architecture	Full bridge digital circuit architecture
2	Constant Current	Set current automatic constant current, avoid overcurrent work
3	Adjustment	Inductance gasket clearance debugging
4	Overheating Protection	Real-time monitoring of working temperature, stop working after $\geq 70^{\circ}\text{C}$
5	Short Circuit Protection	Load short circuit, no ultrasonic output
6	Basic Function	Adjustable power, timing control, heating control and water level protection