

1 2 3 4 5 6 7 8

A

B

C

D

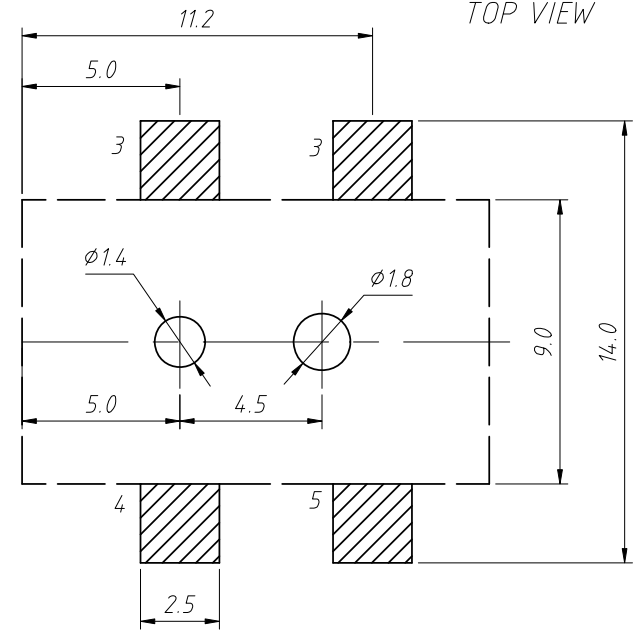
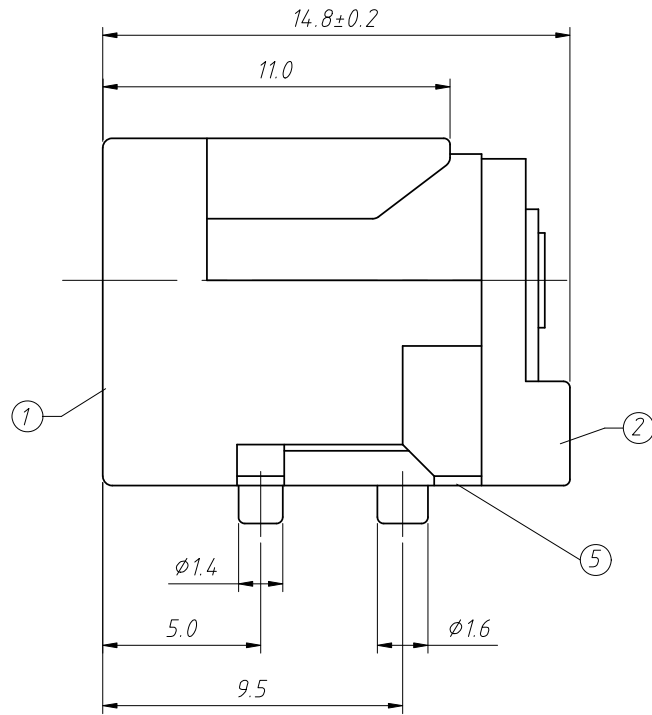
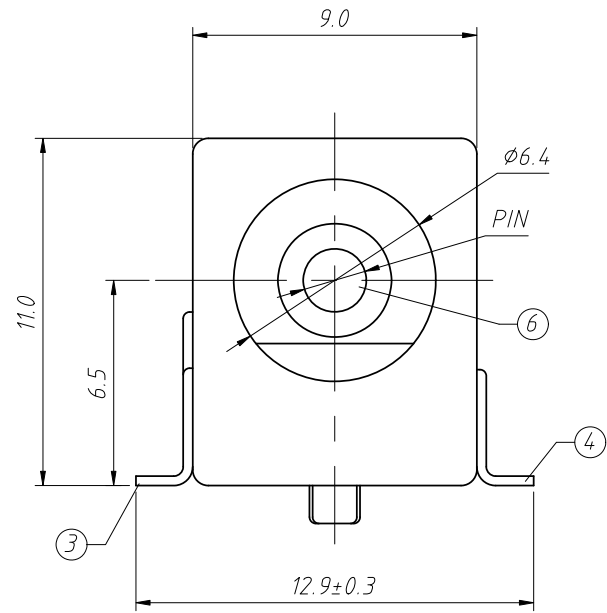
E

F

G

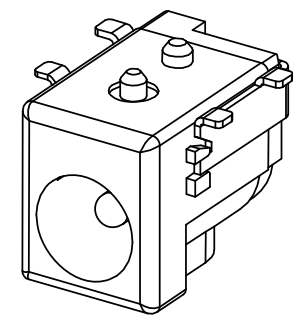
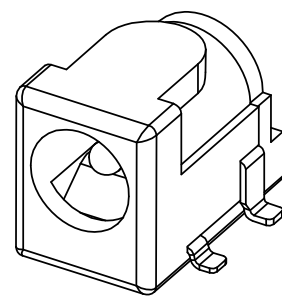
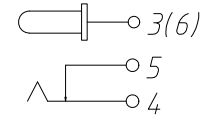
H

PCB LAYOUT
TOP VIEW



SCHEMATIC

PIN	φ2.0	φ2.5
APPD		



SPECIFICATION

Rated Load: DC 30V 5A
 Contact resistance: 30mΩ, max
 Insulation resistance: 100MΩ, min
 Withstand Voltage: AC500V
 Actuating Force: 3-20N
 Life: 5000 cycles
 Operating Temperature: -30°C-70°C

NO.	Description	QTY	Material	Plating
1	Housing	1	PA9T	---
2	Cover	1	PA9T	---
3	Curve Piece	1	H62 Brass	Ag-Plating
4	Spring	1	Tinbronze	Ag-Plating
5	Curve Piece	1	H62 Brass	Ag-Plating
6	PIN	1	H59 Brass	Ni-Plating

GENERAL TOLERANCE	PROJECTION		Description:
.X ±0.50	UNITS	mm	DC POWER Jack SMT HORIZONTAL DC20205SMD-CT
.X ±0.25	SCALE	1:1	
.XX ±0.10	Draw by:	Jenny	
ANGLE TOLERANCE	Check by:		CONNTERM
.X ±5°	Date	2022-12-15	
.X ±3°	SHEET	1 OF 1	
.XX ±2°			

1 2 3 4 5 6 7 8