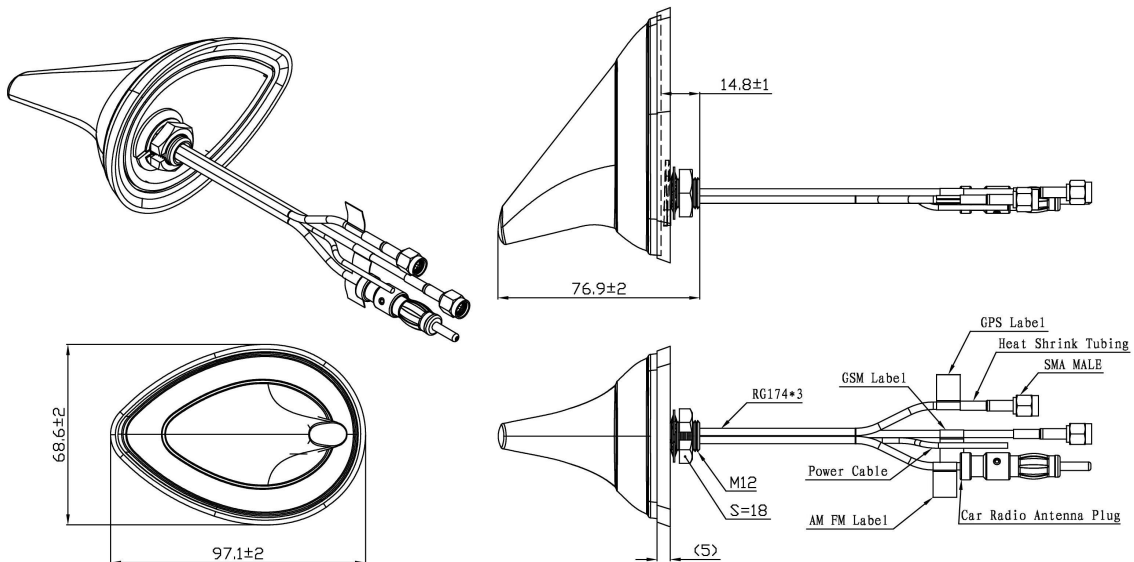


# GPS+GSM+FM/AM Combination Antenna JCM070



## DIMENSIONS



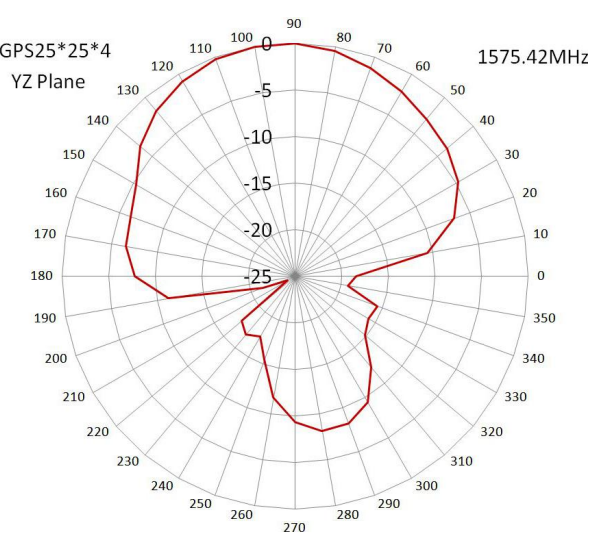
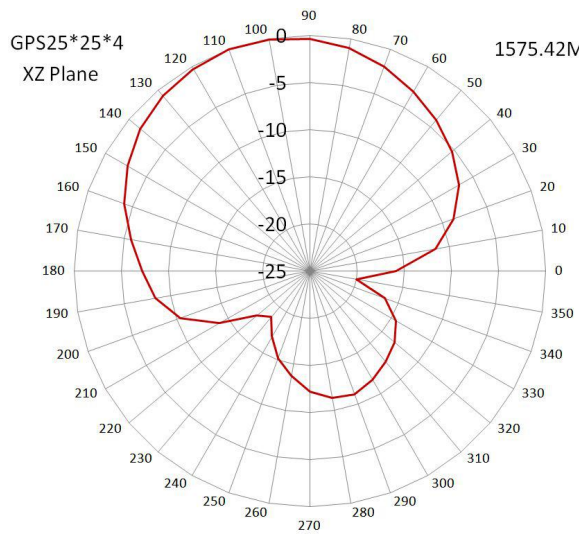
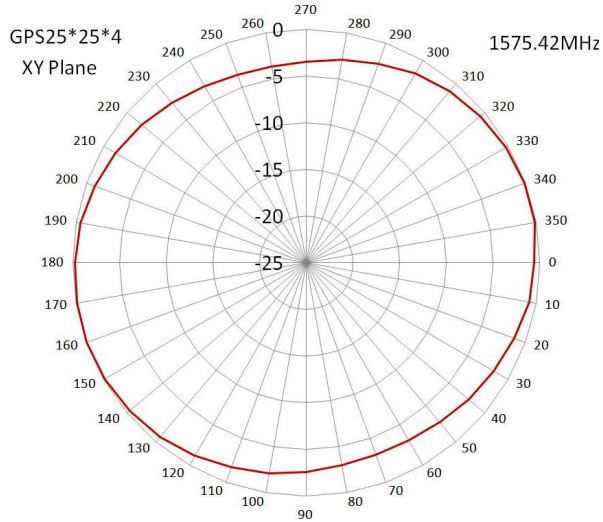
Unit: mm

**SPECIFICATIONS**

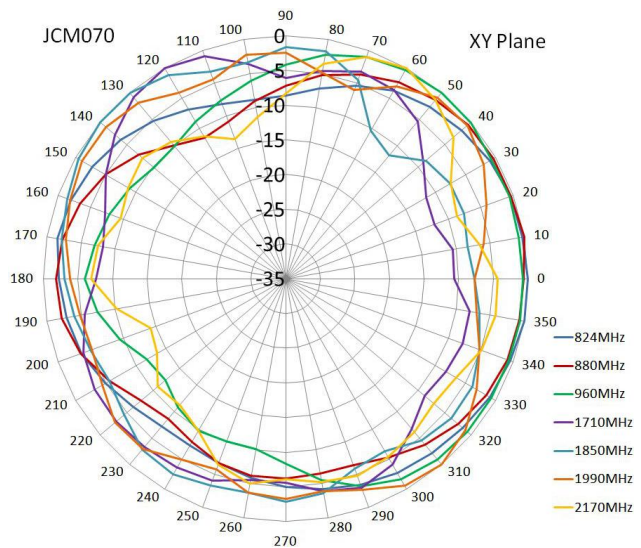
Item		Specifications	
GPS Antenna	Dielectric Antenna	Center Frequency	1575.42±1MHz
		Band Width	CF±5MHz
		Polarization	RHCP
		Gain	2dBic (Zenith)
		V.S.W.R	<1.5
		Impedance	50Ω
		Axial Ratio	3dB (max)
	LNA	Gain	28±2dB
		Noise Figure	<1.5dB
		V.S.W.R	<2.0
		Supply Voltage	2.2~5V DC
Current Consumption		<15mA	
GSM Antenna		Frequency Range	824~960MHz/1710~2170MHz
		V.S.W.R	<2.5
		Polarization	Linear
		Gain	2dBi
		Impedance	50Ω
FM/AM Antenna		Frequency Range	520~1629KHz/76~108MHz
		V.S.W.R	<2.5
		Polarization	Linear
		Gain	20/12dBi
		Impedance	50Ω
		Supply Voltage	12V DC
Environmental		Operating Temperature	-40℃~+85℃
		Relative Humidity	Up to 95%
		Ingress Protection	IP65~IP66 (exclude cable outlet)
		Vibration	10 to 55Hz with 1.5mm amplitude 2hours
		Environmentally Friendly	ROHS Compliant

**Radiation Pattern**

GPS Antenna



GSM Antenna





Jinchang Electron Global Service

