

Water Detection Sensor

Overview

According to sharp growth of Electrical Vehicles (EV), many OEMs are using cooling systems for their battery systems. However, if an instance of water leakage were to occur in Li-ion battery packs, it would create dangerous conditions.

Thermometrics Water Detection Sensor detects water leakage via a change in resistance value of the sensor and feeds a signal to the Battery Management System (BMS) to warn the driver.

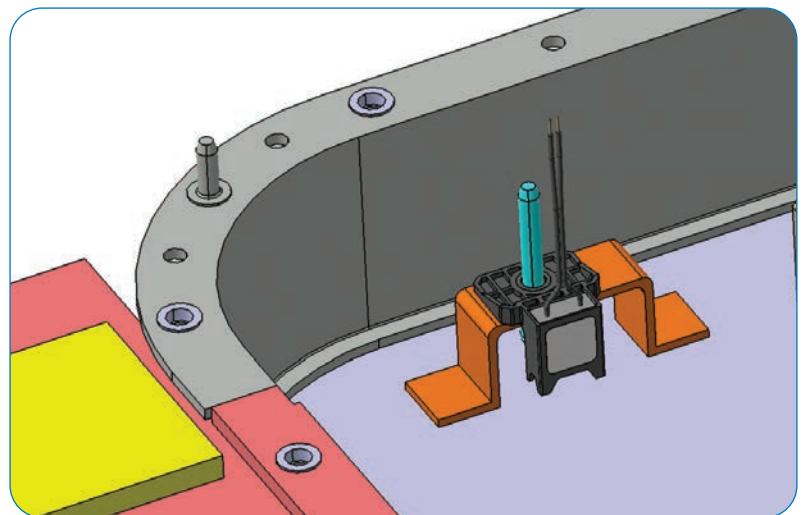
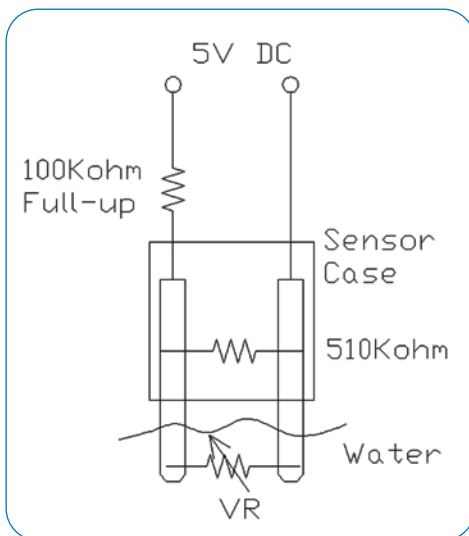


Features

- 510kΩ
- Operating Temperature Range: -40°C to 85°C
- Easy to install
- RoHS Compliance (Directive 2011/65/EU)

Applications

- Battery Pack Water Detection
- Overflow of water/fluid
- Leak detection from a burst pipe
- Level detection on tank fill applications
- Condensate overflow sensor for HVAC applications
- Sump pumps



Amphenol
Advanced Sensors

www.amphenol-sensors.com

© 2023 Amphenol Corporation. All Rights Reserved. Specifications are subject to change without notice. Other company names and product names used in this document are the registered trademarks or trademarks of their respective owners.

AAS-930-238D - 11/2023

