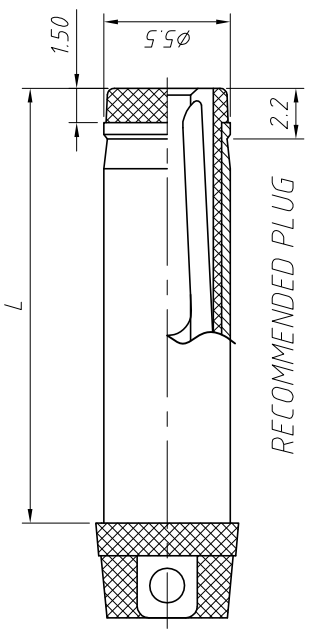
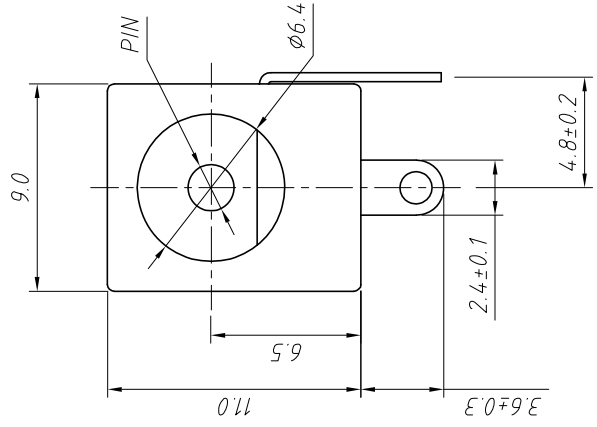
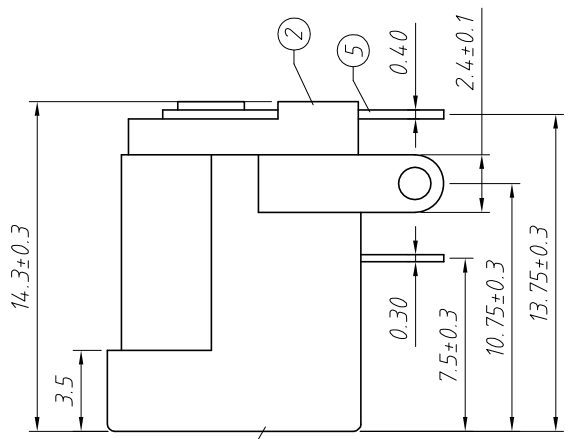
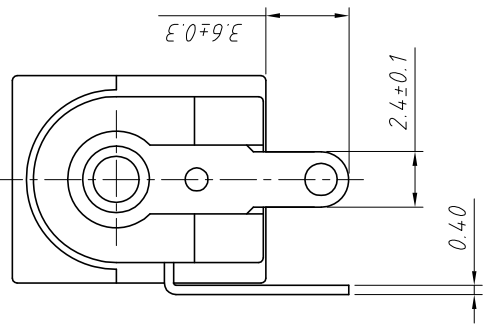
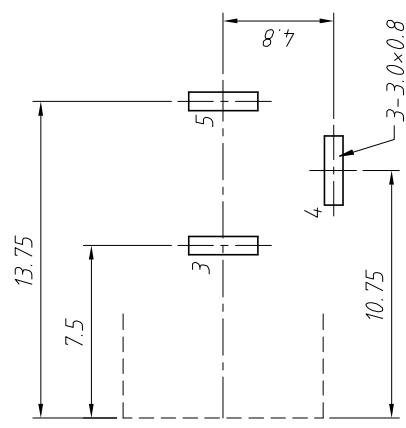
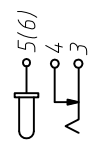


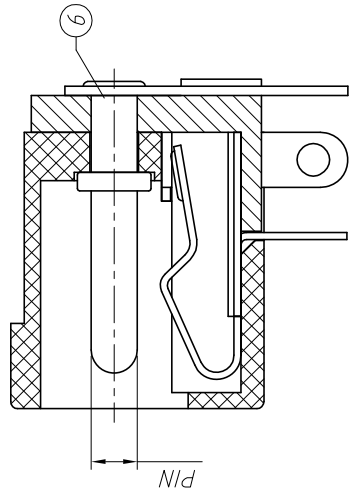
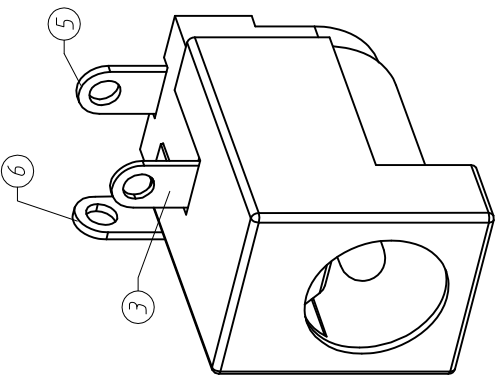
PCB Layout Top View



SCHEMATIC



RECOMMENDED PLUG



SPECIFICATION

- Rated Load: DC 30V 5A
- Contact resistance: 30mΩ, max
- Insulation resistance: 100MΩ, min
- Withstand Voltage: AC500V
- Actuating Force: 3-20N
- Life: 5000 cycles
- Operating Temperature: -30°C - 70°C

NO.	Description	QTY	Material	Plating
1	Housing	1	LCP	---
2	Cover	1	LCP	---
3	Spring Piece	1	Bronze	Sn-Plating
4	Curve Piece	1	Brass	Sn-Plating
5	Flat Foot	1	Brass	Sn-Plating
6	PIN	1	Brass	Ni-Plating

GENERAL TOLERANCE	PROJECTION	Description:
X. ±0.50	mm	30V 5A DC Jack DIP
.X ±0.25	1:1	
.XX ±0.10	Jenny	
ANGLE TOLERANCE		P/N: DC2025-1-R
X. ±5°	Date	Conntherm
.X ±3°	2019-03-01	
.XX ±2°	1 OF 1	

PIN	φ2.0	φ2.5
APPD		