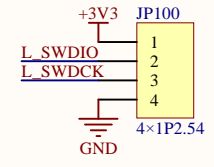
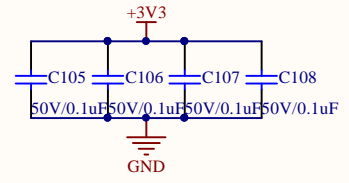
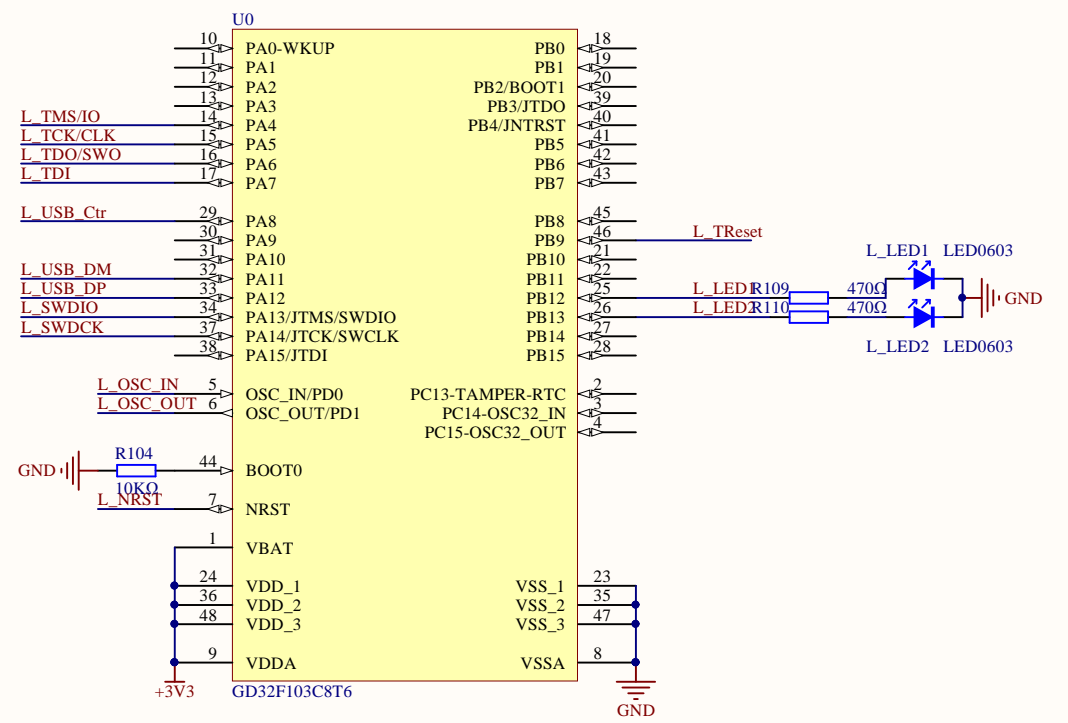
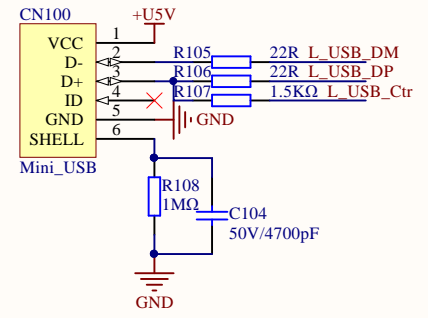
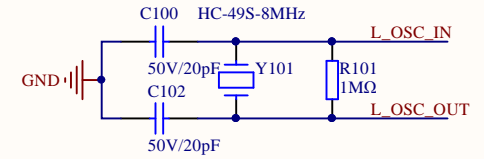
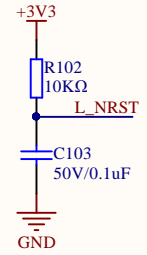


MCU SWD



Reset



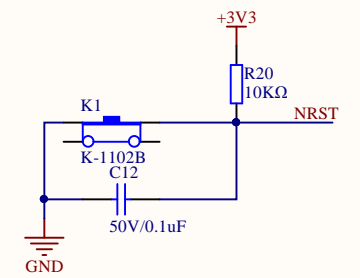
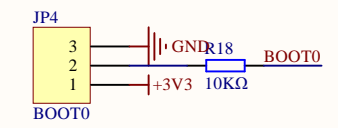
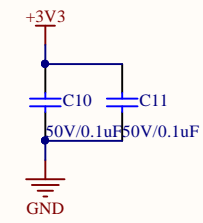
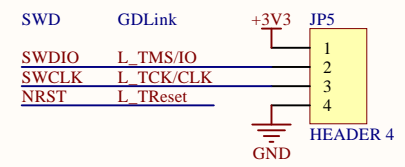
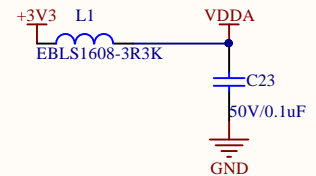
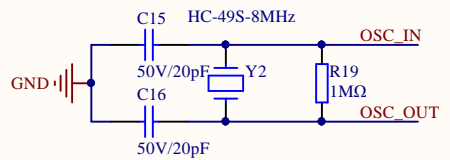
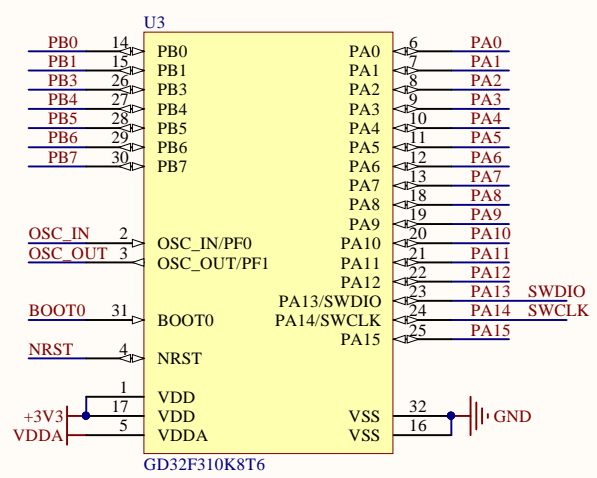
Company Name: GigaDevice

File Name: GDLink

Revision: 1.0

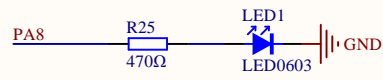
Data: 2022-1

Author: XuFei

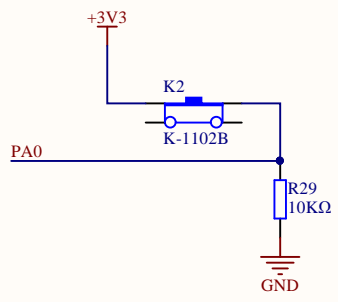


Company Name: GigaDevice		
File Name: MCU		
Revision: 1.0	Data: 2022-1	Author: Xufei

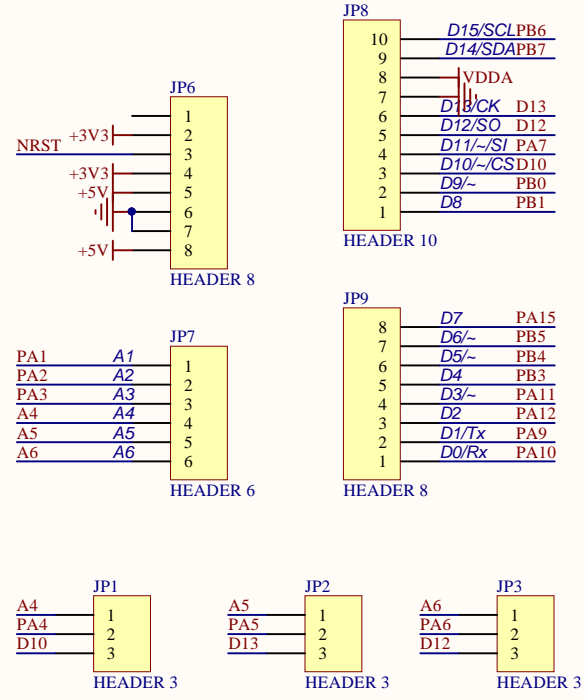
LED



KEY



Arduino



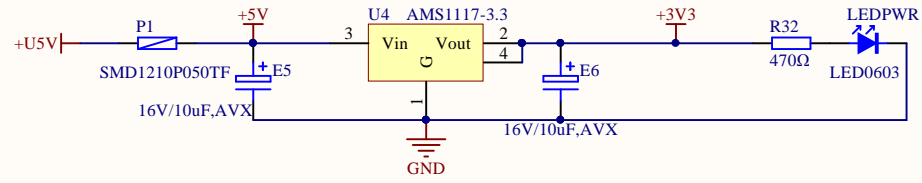
Company Name: GigaDevice

File Name: Peripherals

Revision: 1.0

Data: 2022-1

Author: Xufei



Company Name: GigaDevice

File Name: Power

Revision: 1.0

Data: 2022-1

Author: Xufei

GD32

GD32MCU.com
GD32F310K-START
2022-1 V1.0

