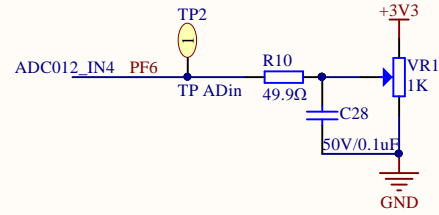
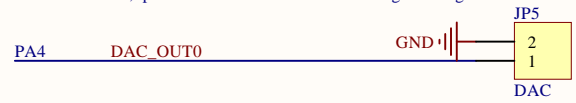


ADC



DAC

PA4 is an AFIO, please refer to TLI Schematic for right config



Company Name: GigaDevice

File Name: AD_DA

Revision: 1.0

Data: 2022-3

Author: XuFei

1

2

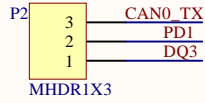
3

4

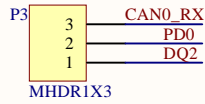
A

A

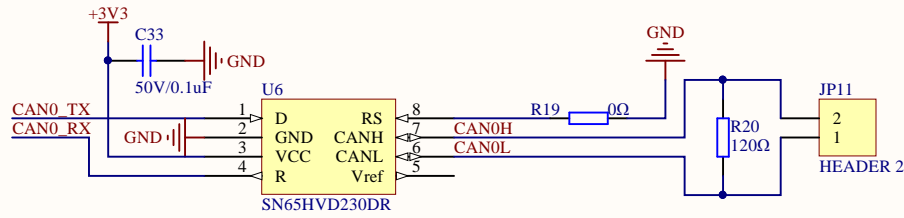
Short P2(1,2) for EXMC function
Short P2(2,3) for CAN0 function



Short P3(1,2) for EXMC function
Short P3(2,3) for CAN0 function



CAN



Company Name: GigaDevice

File Name: CAN

Revision: 1.0

Data: 2022-3

Author: XuFei

1

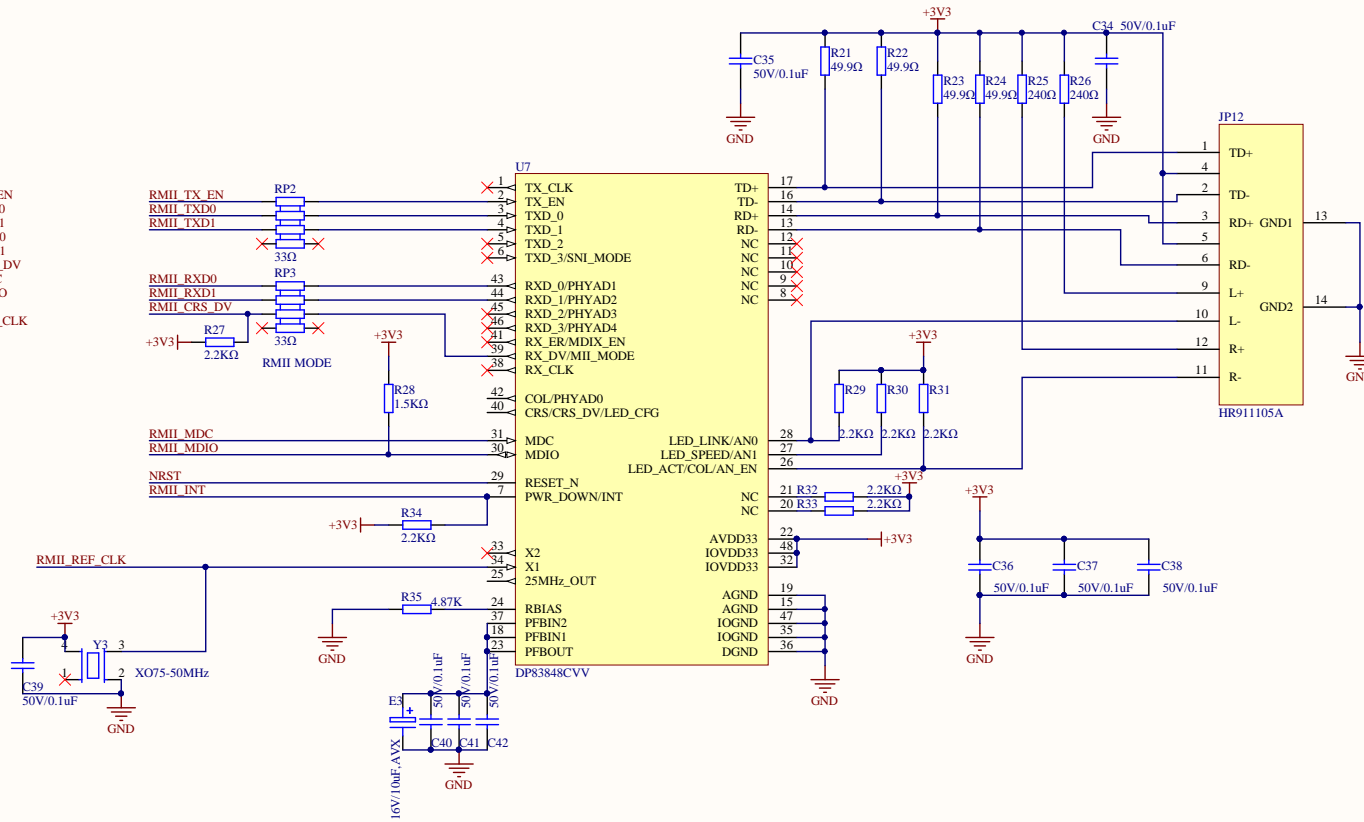
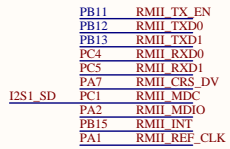
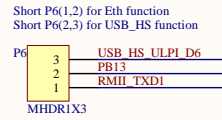
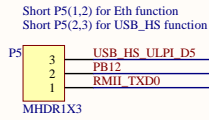
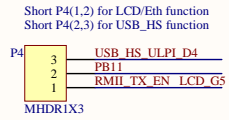
2

3

4

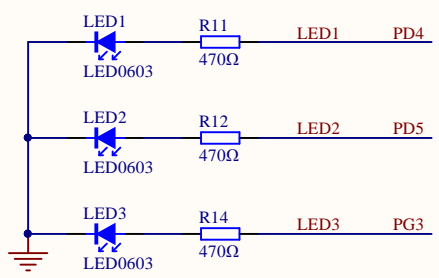
D

D

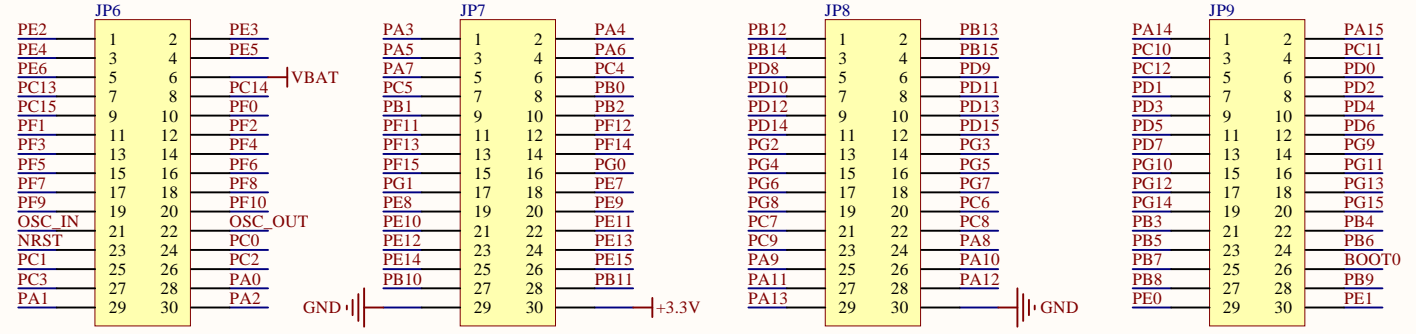


Company Name: GigaDevice		
File Name: Ethernet		
Revision: 1.0	Date: 2022-3	Author: Xufe

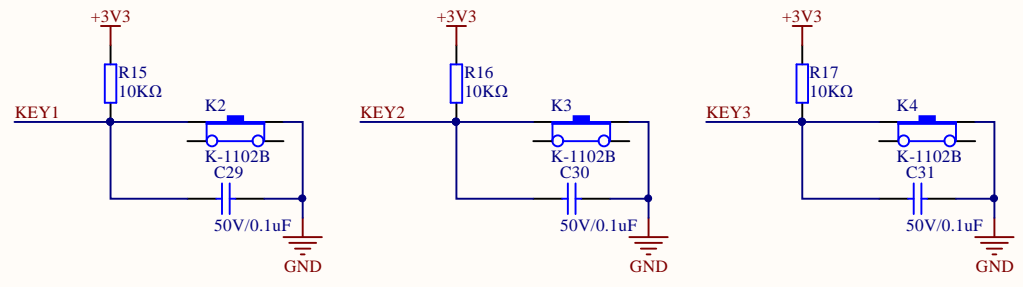
LED



Extension Pin

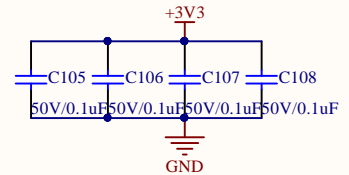
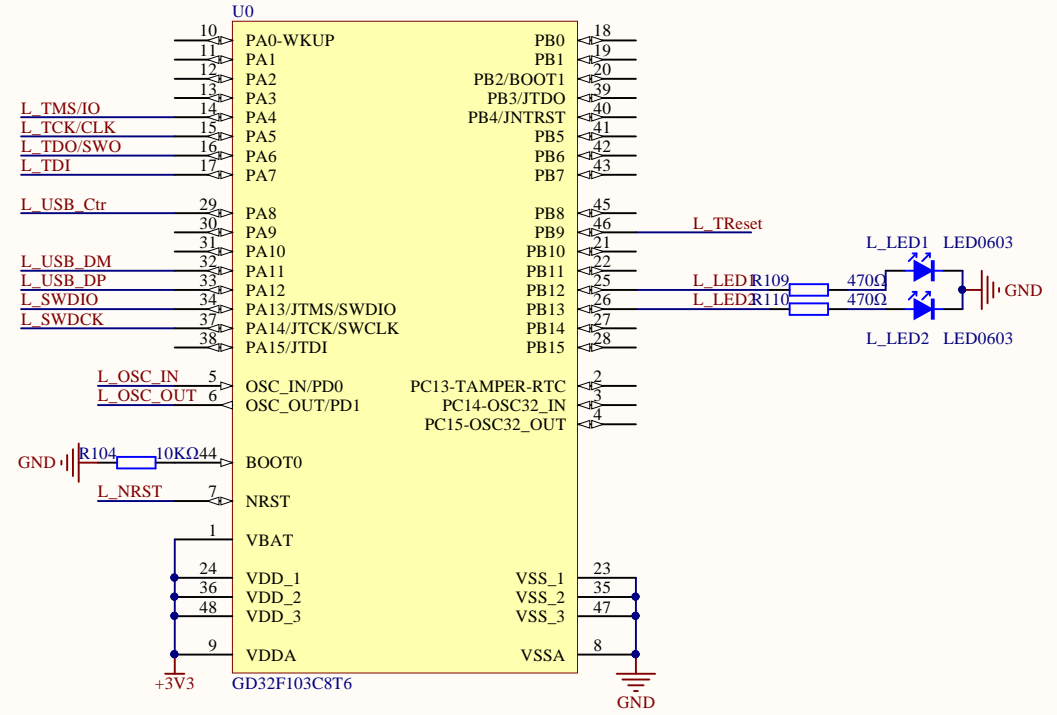
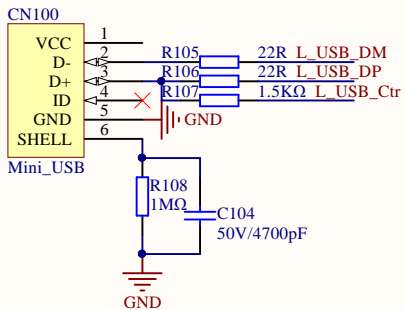
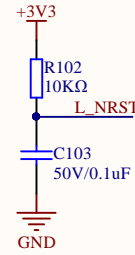
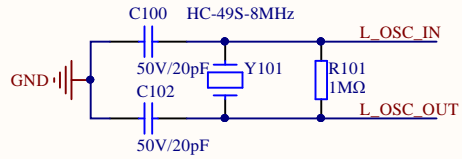
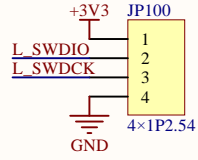


KEY



PA0 KEY1
 PC13 KEY2
 PB14 KEY3

Company Name: GigaDevice		
File Name: Extension		
Revision: 1.0	Data: 2022-3	Author: XuFei



Company Name: GigaDevice

File Name: GDLink

Revision: 1.1

Data: 2022-3

Author: XuFei

1

2

3

4

A

A

B

B

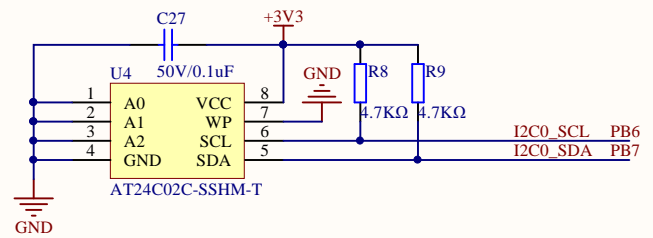
C

C

D

D

I2C



Company Name: GigaDevice

File Name: I2C

Revision: 1.0

Data: 2022-3

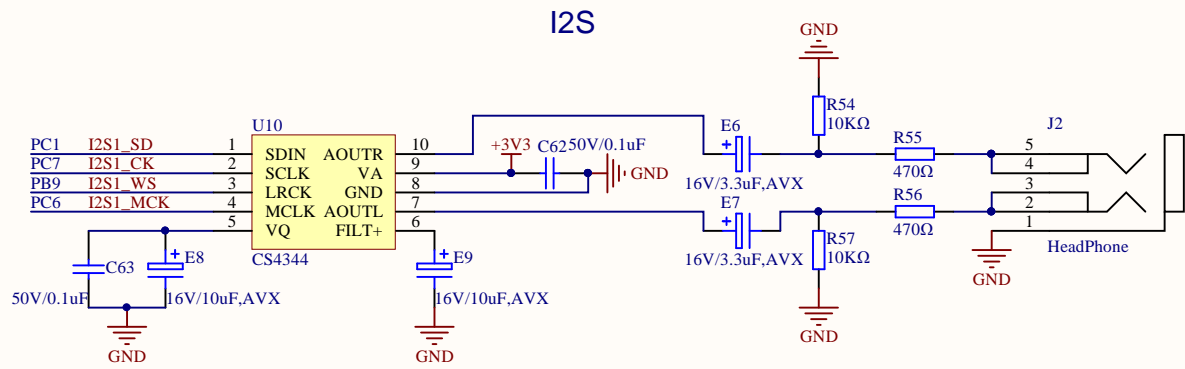
Author: XuFei

1

2

3

4



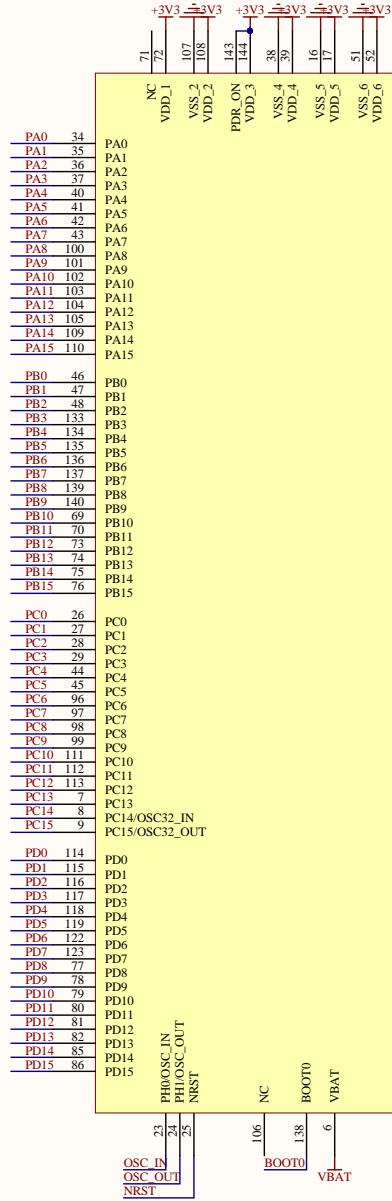
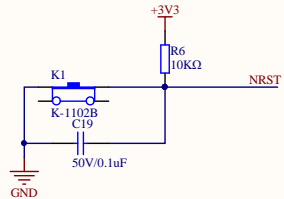
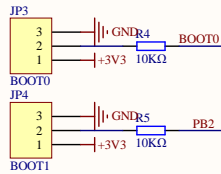
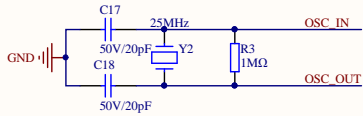
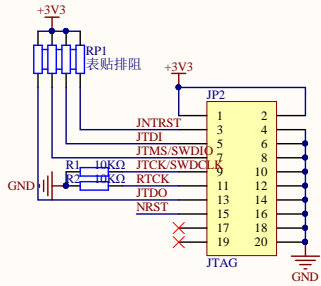
Company Name: GigaDevice

File Name: I2S

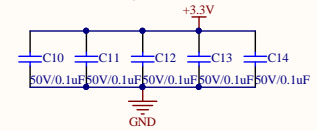
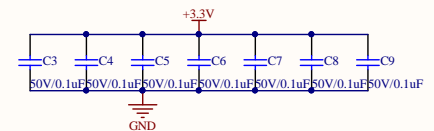
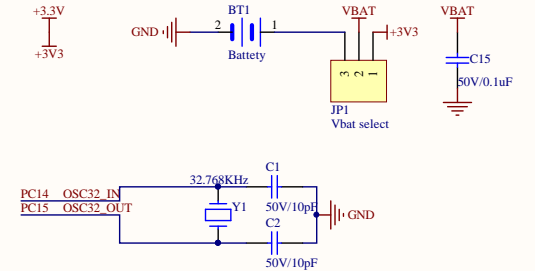
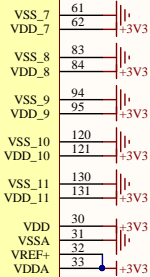
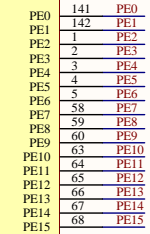
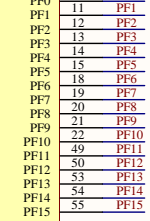
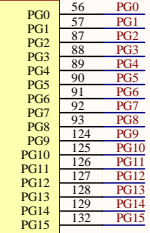
Revision: 1.0

Data: 2022-3

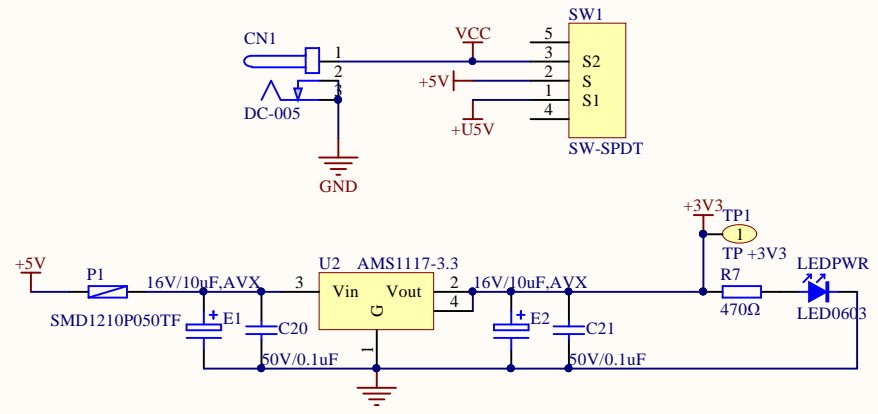
Author: Xufei



U1 GD32F470ZKT6



Company Name: GigaDevice		
File Name: MCU		
Revision: 1.0	Date: 2022-3	Author: XuFei



Company Name: GigaDevice

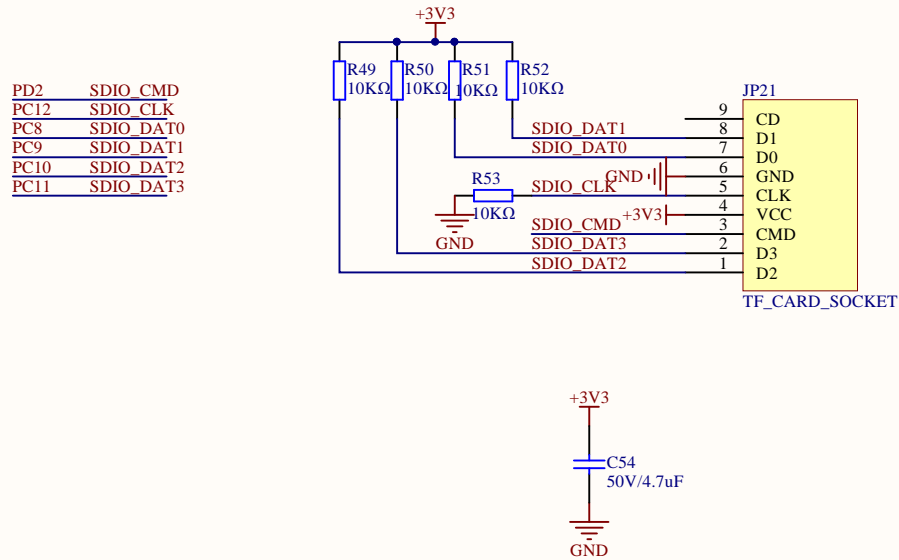
File Name: Power

Revision: 1.0

Data: 2022-3

Author: XuFei

SDIO



Company Name: GigaDevice

File Name: SDIO

Revision: 1.1

Data: 2022-3

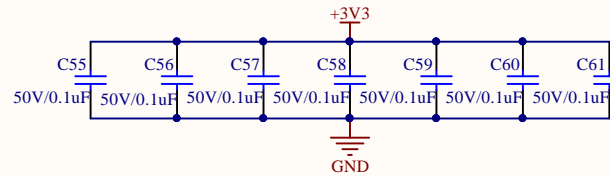
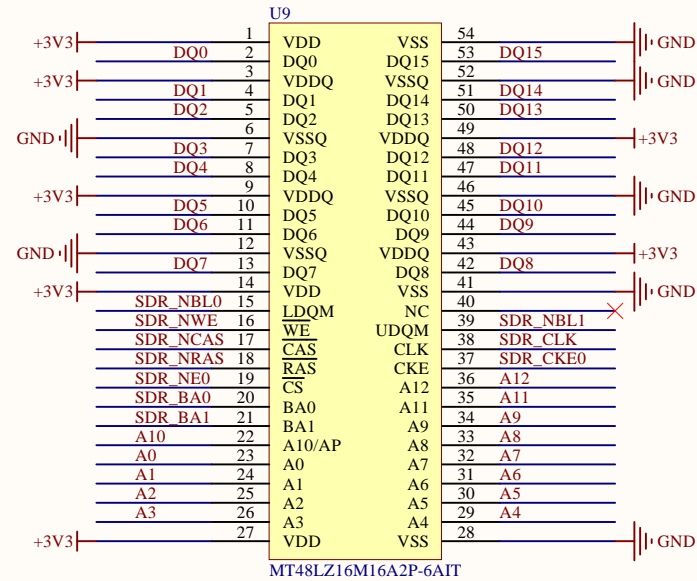
Author: Xufei

SDRAM

PF0	A0
PF1	A1
PF2	A2
PF3	A3
PF4	A4
PF5	A5
PF12	A6
PF13	A7
PF14	A8
PF15	A9
PG0	A10
PG1	A11
PG2	A12

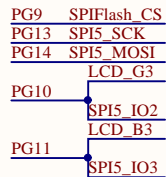
PD14	DQ0
PD15	DQ1
PD0	DQ2
PD1	DQ3
PE7	DQ4
PE8	DQ5
PE9	DQ6
PE10	DQ7
PE11	DQ8
PE12	DQ9
PE13	DQ10
PE14	DQ11
PE15	DQ12
PD8	DQ13
PD9	DQ14
PD10	DQ15

PE0	SDR_NBL0
PE1	SDR_NBL1
PC3	SDR_CKE0
PG4	SDR_BA0
PG5	SDR_BA1
PG8	SDR_CLK
PG15	SDR_NCAS
PF11	SDR_NRAS
PC2	SDR_NE0
PC0	SDR_NWE

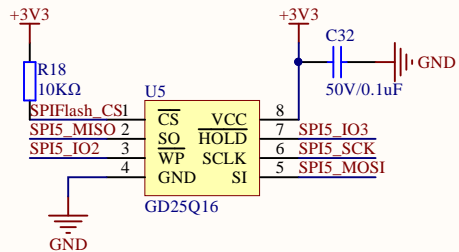
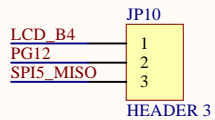


Company Name: GigaDevice		
File Name: SDRAM		
Revision: 1.0	Data: 2022-3	Author: Xufei

SPI Flash



Short JP10(1,2) for TLI function
 Short JP10(2,3) for SPI5 function



Company Name: GigaDevice

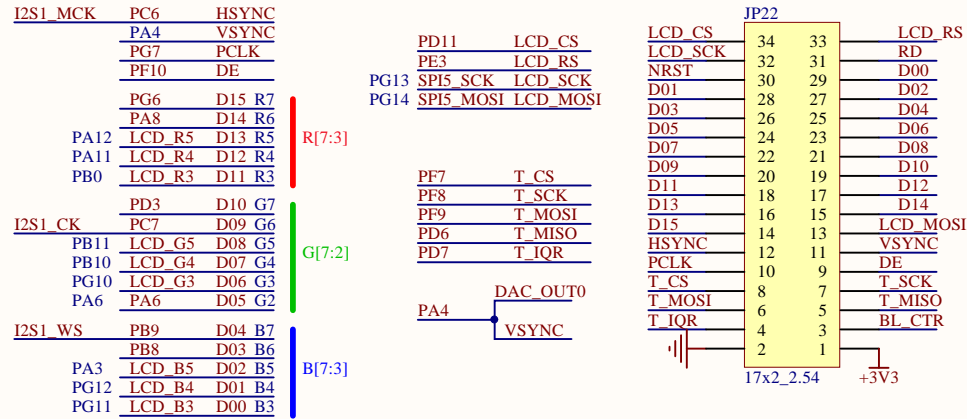
File Name: SPI

Revision: 1.0

Data: 2022-3

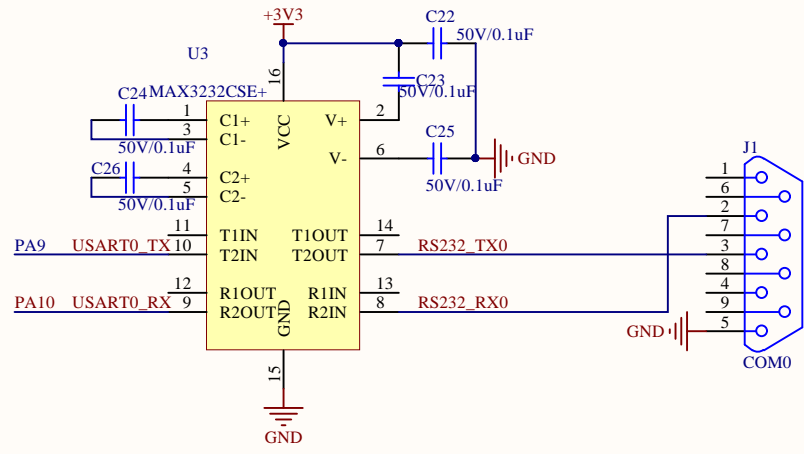
Author: XuFei

LCD



Company Name: GigaDevice		
File Name: TLI		
Revision: 1.0	Data: 2022-3	Author: XuFei

USART0



Company Name: GigaDevice

File Name: USART

Revision: 1.0

Data: 2022-3

Author: XuFei

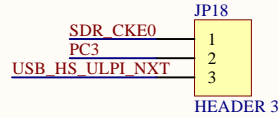
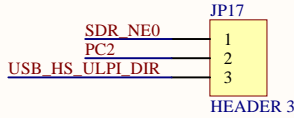
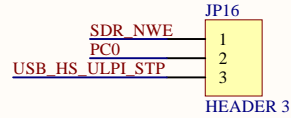
USB HS

USB FS

Short JP16(1,2) for SDRAM function
Short JP16(2,3) for USB_HS function

Short JP17(1,2) for SDRAM function
Short JP17(2,3) for USB_HS function

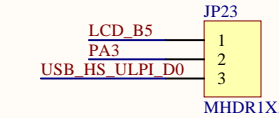
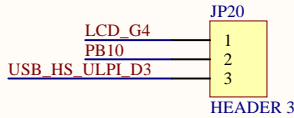
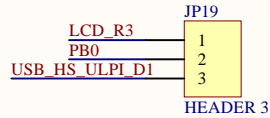
Short JP18(1,2) for SDRAM function
Short JP18(2,3) for USB_HS function



Short JP19(1,2) for TLI function
Short JP19(2,3) for USB_HS function

Short JP20(1,2) for TLI function
Short JP20(2,3) for USB_HS function

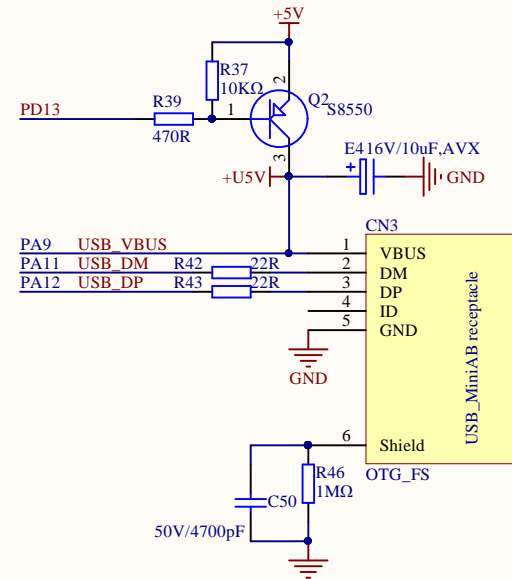
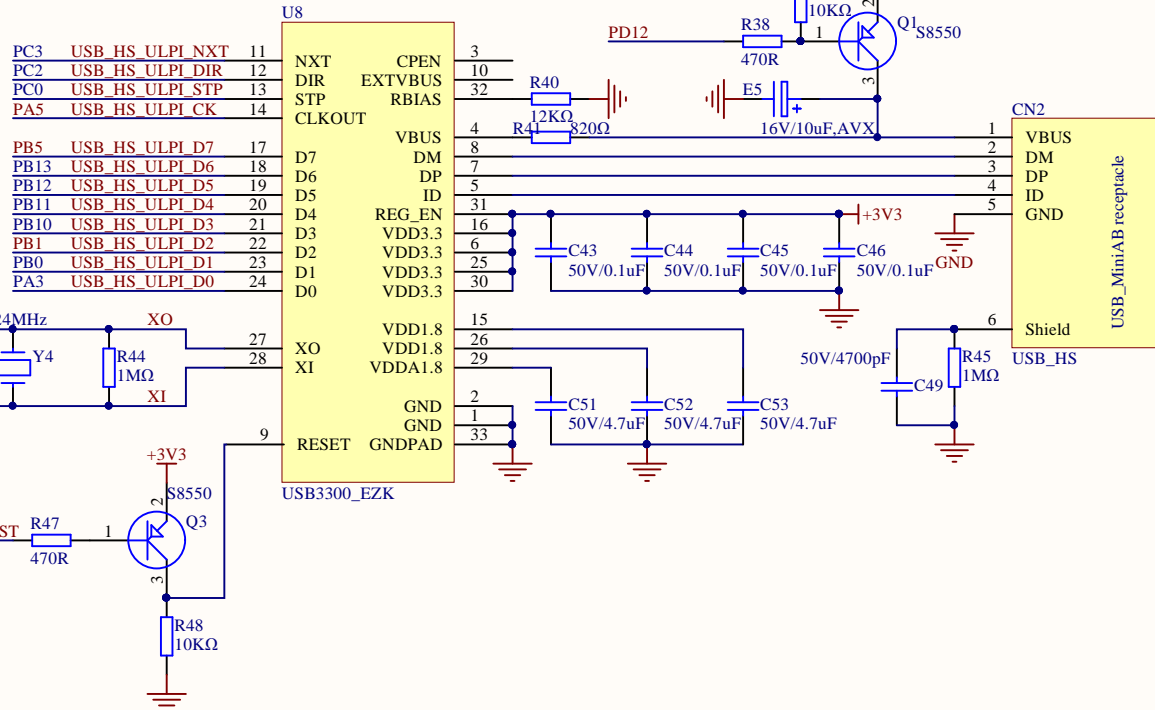
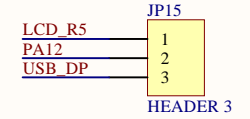
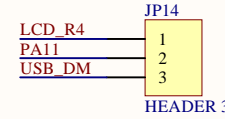
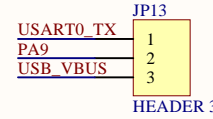
Short JP23(1,2) for TLI function
Short JP23(2,3) for USB_HS function



Short JP13(1,2) for USART0 function
Short JP13(2,3) for USB_FS function

Short JP14(1,2) for TLI function
Short JP14(2,3) for USB_FS function

Short JP15(1,2) for TLI function
Short JP15(2,3) for USB_FS function



Company Name: GigaDevice		
File Name: USB		
Revision: 1.0	Data: 2022-3	Author: Xufei

