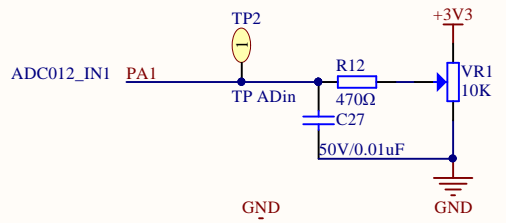
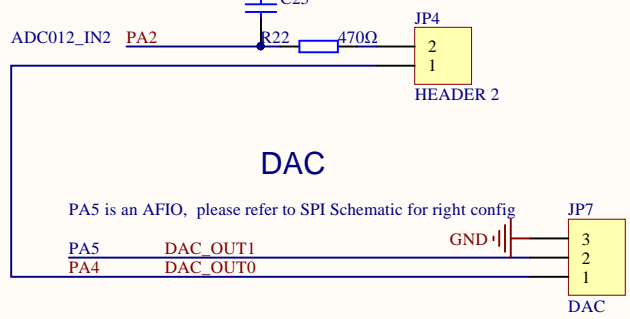


ADC



DAC



Company Name: GigaDevice

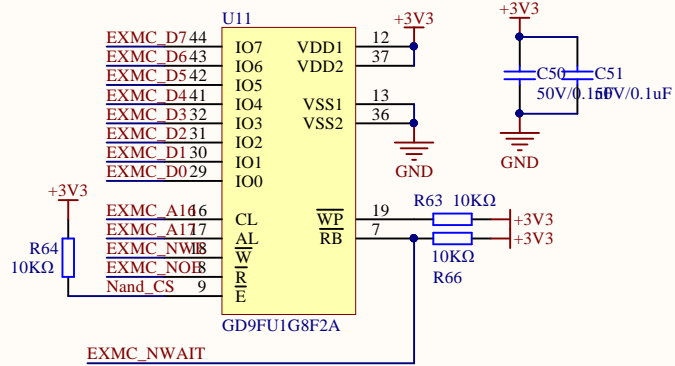
File Name: AD_DA

Revision: 1.0

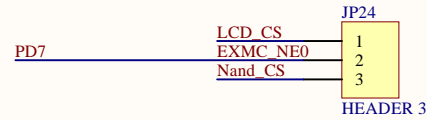
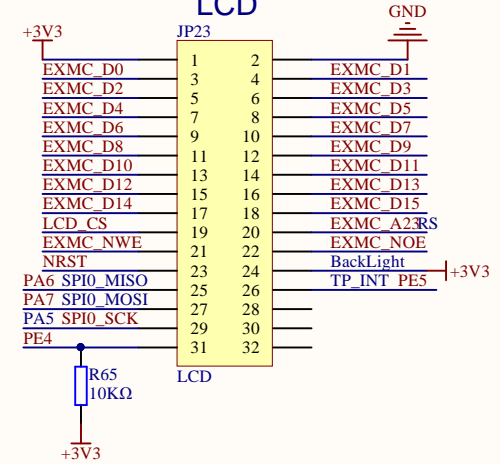
Data: 2020-3

Author: XuFei

Nand Flash



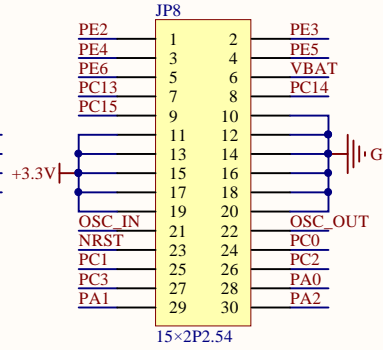
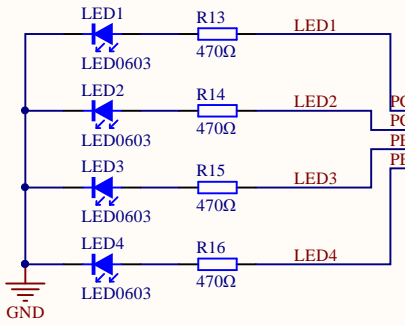
LCD



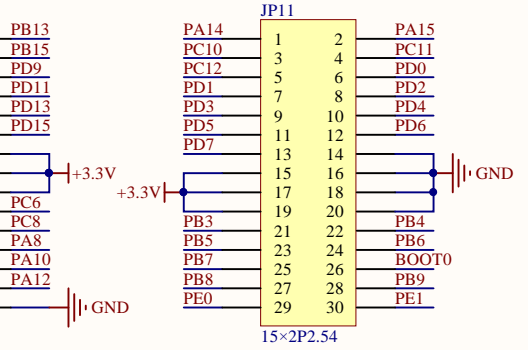
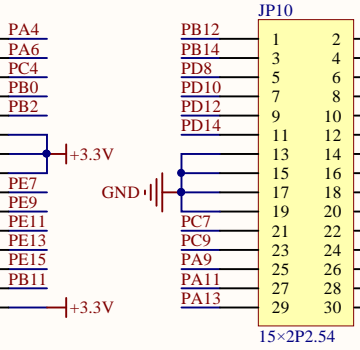
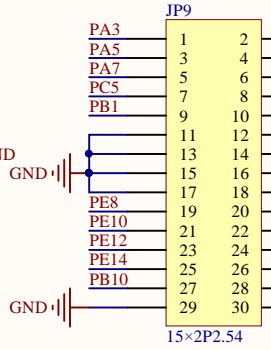
- | | | | |
|------|----------|------|------------|
| PD14 | EXMC_D0 | PD11 | EXMC_A16 |
| PD15 | EXMC_D1 | PD12 | EXMC_A17 |
| PD0 | EXMC_D2 | PE2 | EXMC_A23 |
| PD1 | EXMC_D3 | PD4 | EXMC_NOE |
| PE7 | EXMC_D4 | PD5 | EXMC_NWE |
| PE8 | EXMC_D5 | PD6 | EXMC_NWAIT |
| PE9 | EXMC_D6 | | |
| PE10 | EXMC_D7 | | |
| PE11 | EXMC_D8 | | |
| PE12 | EXMC_D9 | | |
| PE13 | EXMC_D10 | | |
| PE14 | EXMC_D11 | | |
| PE15 | EXMC_D12 | | |
| PD8 | EXMC_D13 | | |
| PD9 | EXMC_D14 | | |
| PD10 | EXMC_D15 | | |

Company Name: GigaDevice		
File Name: EXMC		
Revision: 1.0	Data: 2020-3	Author: XuFei

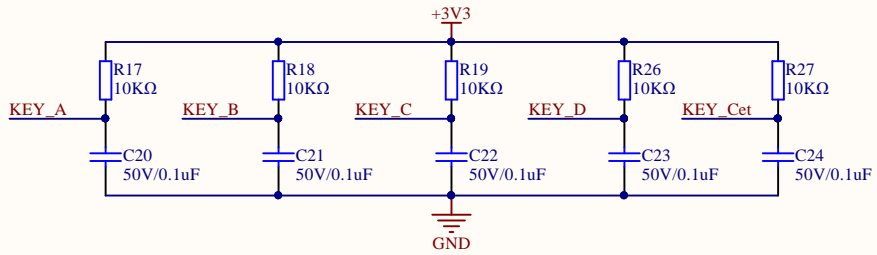
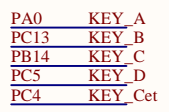
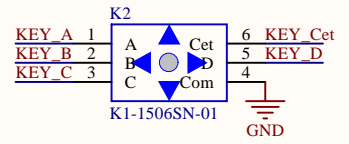
LED



Extension Pin



KEY



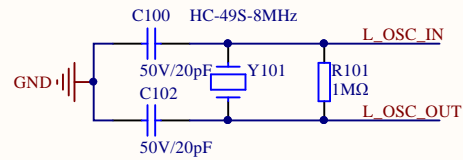
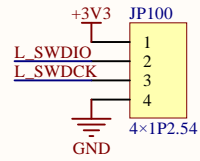
Company Name: GigaDevice

File Name: Extension

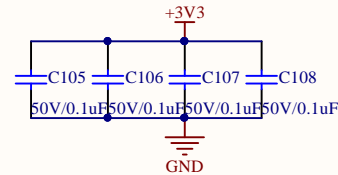
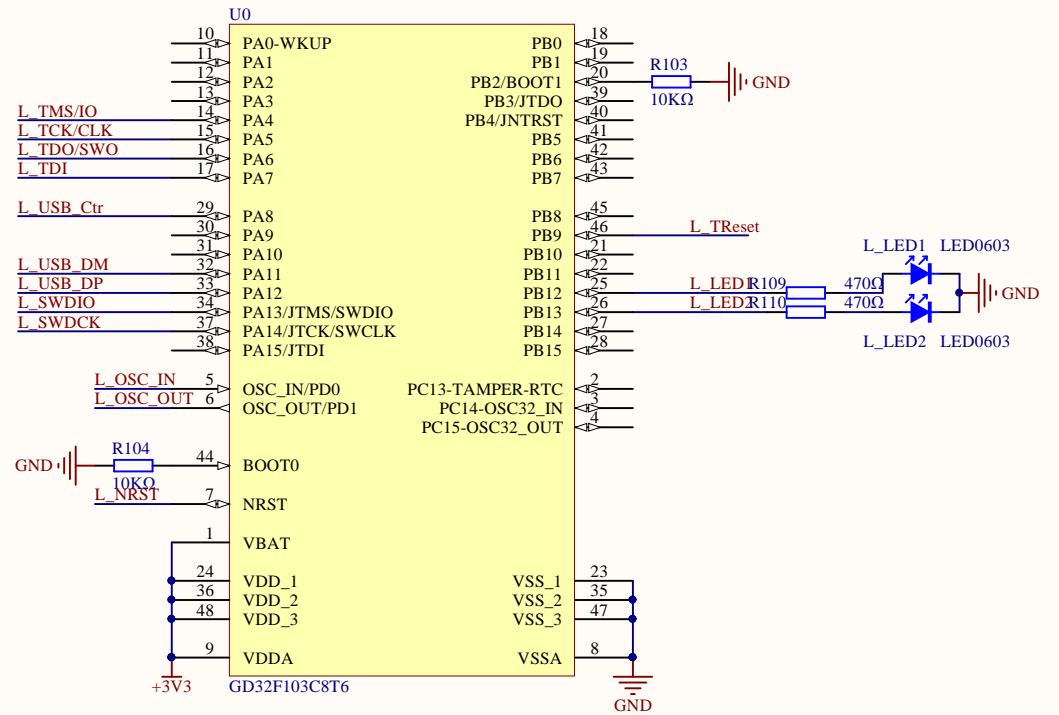
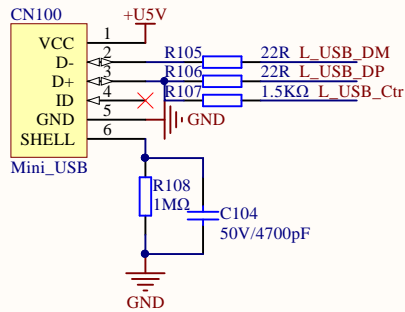
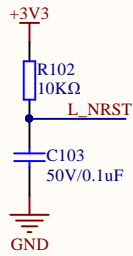
Revision: 1.0

Data: 2020-3

Author: XuFei



Reset



Company Name: GigaDevice		
File Name: GDLink		
Revision: 1.0	Data: 2020-3	Author: XuFei

1

2

3

4

A

A

B

B

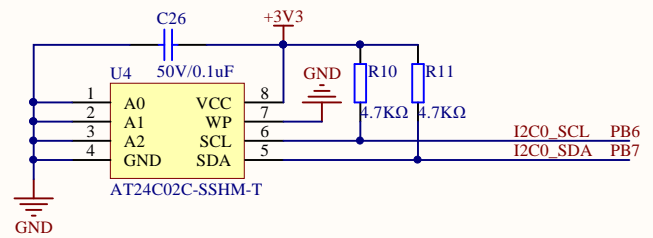
C

C

D

D

I2C



Company Name: GigaDevice		
File Name: I2C_SMbus		
Revision: 1.0	Data: 2017-4	Author: XuFei

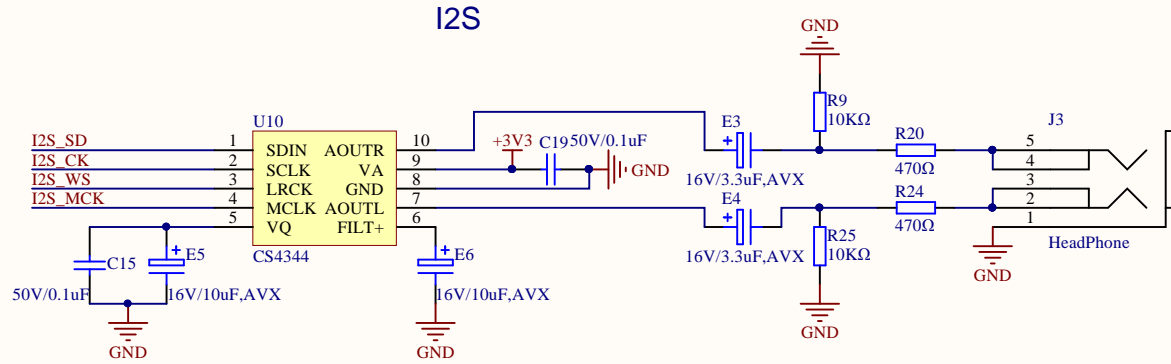
1

2

3

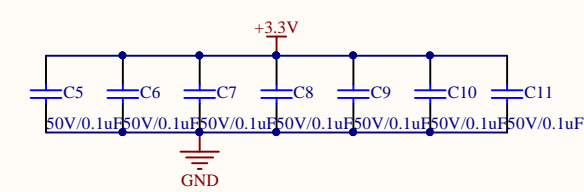
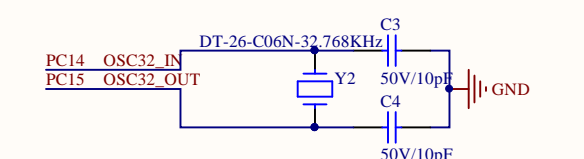
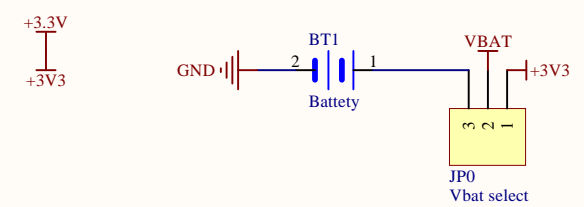
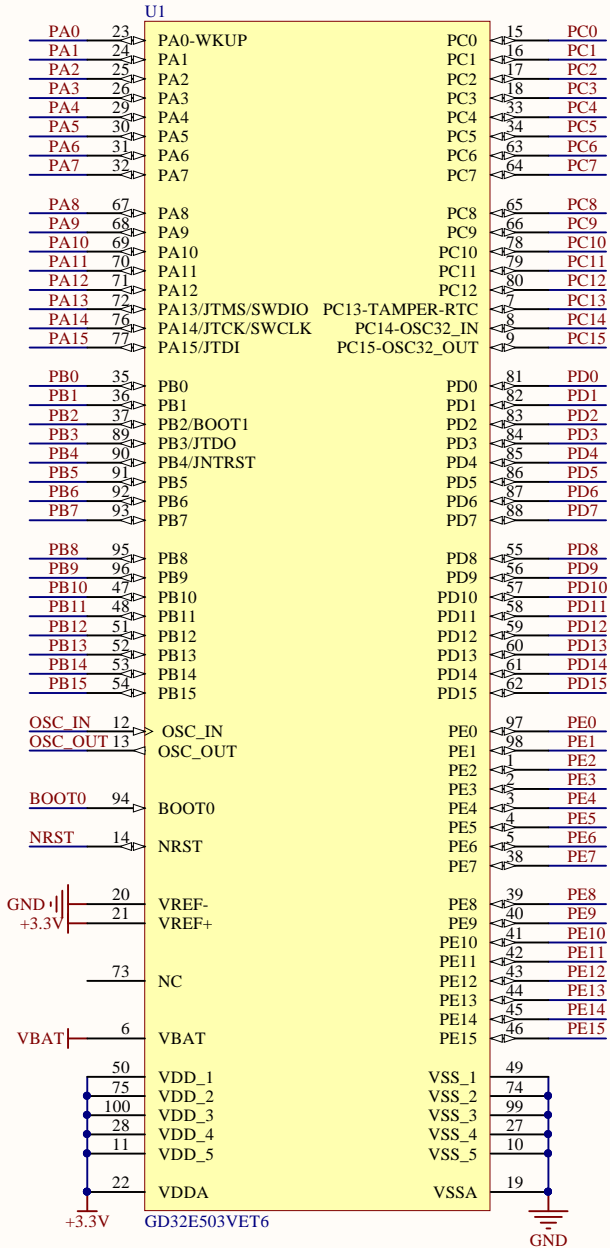
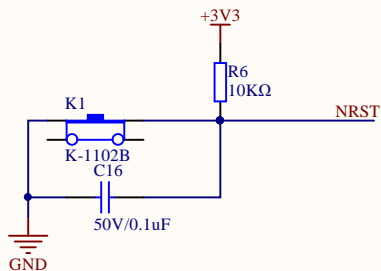
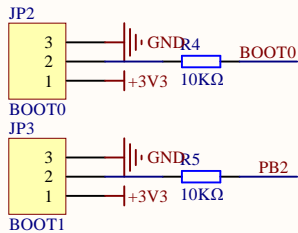
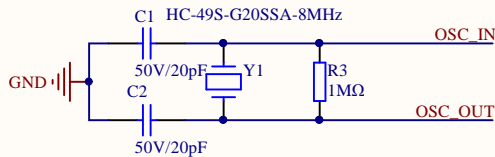
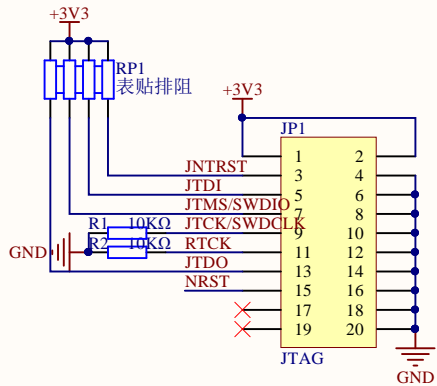
4

PC6 I2S_MCK
 PB12 I2S_WS
 PB13 I2S_CK
 PB15 I2S_SD

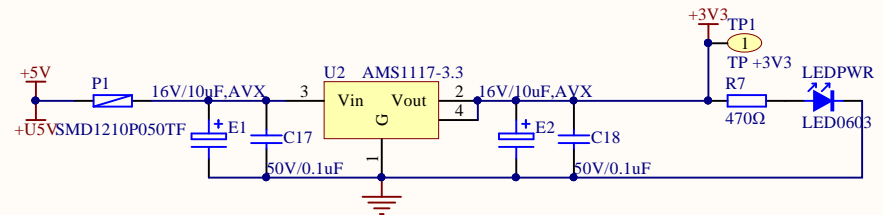


Company Name: GigaDevice		
File Name: I2S		
Revision: 1.0	Data: 2020-3	Author: Xufei

GDLink	JTAG	PB4
L_TDI	JNTRST	PA15
L_TMS/IO	JTMS/SWDIO	PA13
L_TCK/CLK	JTCK/SWDCLK	PA14
L_TDO/SWO	JTDO	PB3
L_TReset	NRST	



Company Name: GigaDevice		
File Name: MCU		
Revision: 1.0	Data: 2020-3	Author: XuFei



Company Name: GigaDevice

File Name: Power

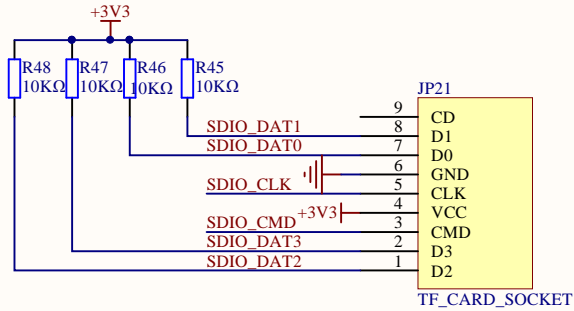
Revision: 1.0

Data: 2020-3

Author: XuFei

SDIO

PC11	SDIO_DAT3
PD2	SDIO_CMD
PC12	SDIO_CLK
PC8	SDIO_DAT0
PC9	SDIO_DAT1
PC10	SDIO_DAT2



Company Name: GigaDevice

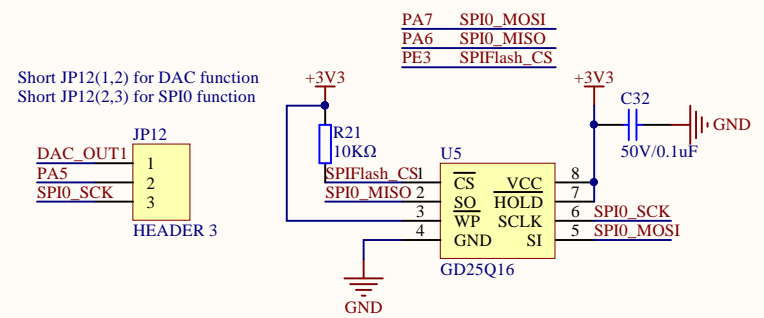
File Name: SDIO

Revision: 1.1

Data: 2020-3

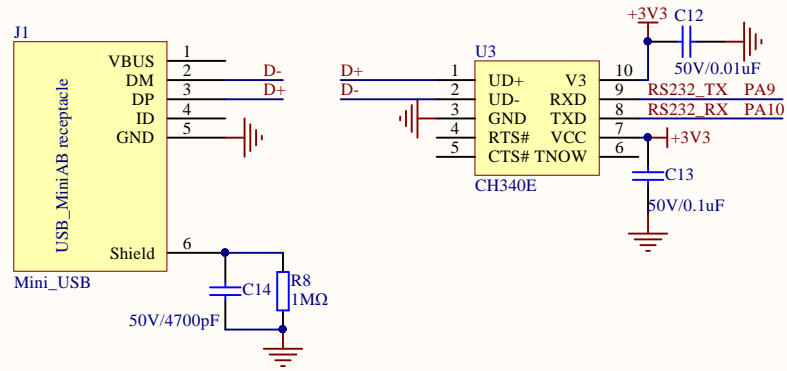
Author: Xufei

SPI Flash



Company Name: GigaDevice		
File Name: SPI		
Revision: 1.0	Data: 2020-3	Author: XuFei

USART0 To USB



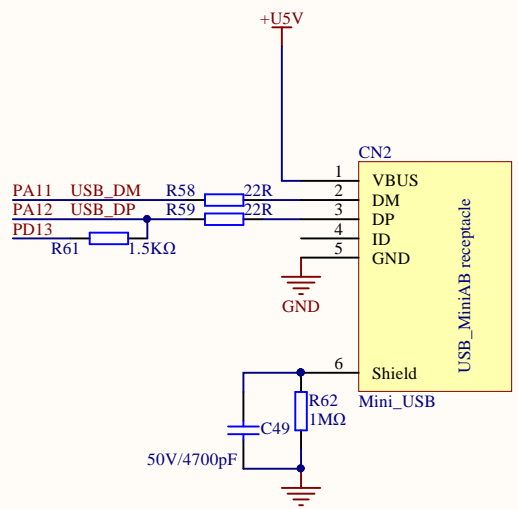
Company Name: GigaDevice

File Name: USART

Revision: 1.0

Data: 2020-3

Author: XuFei



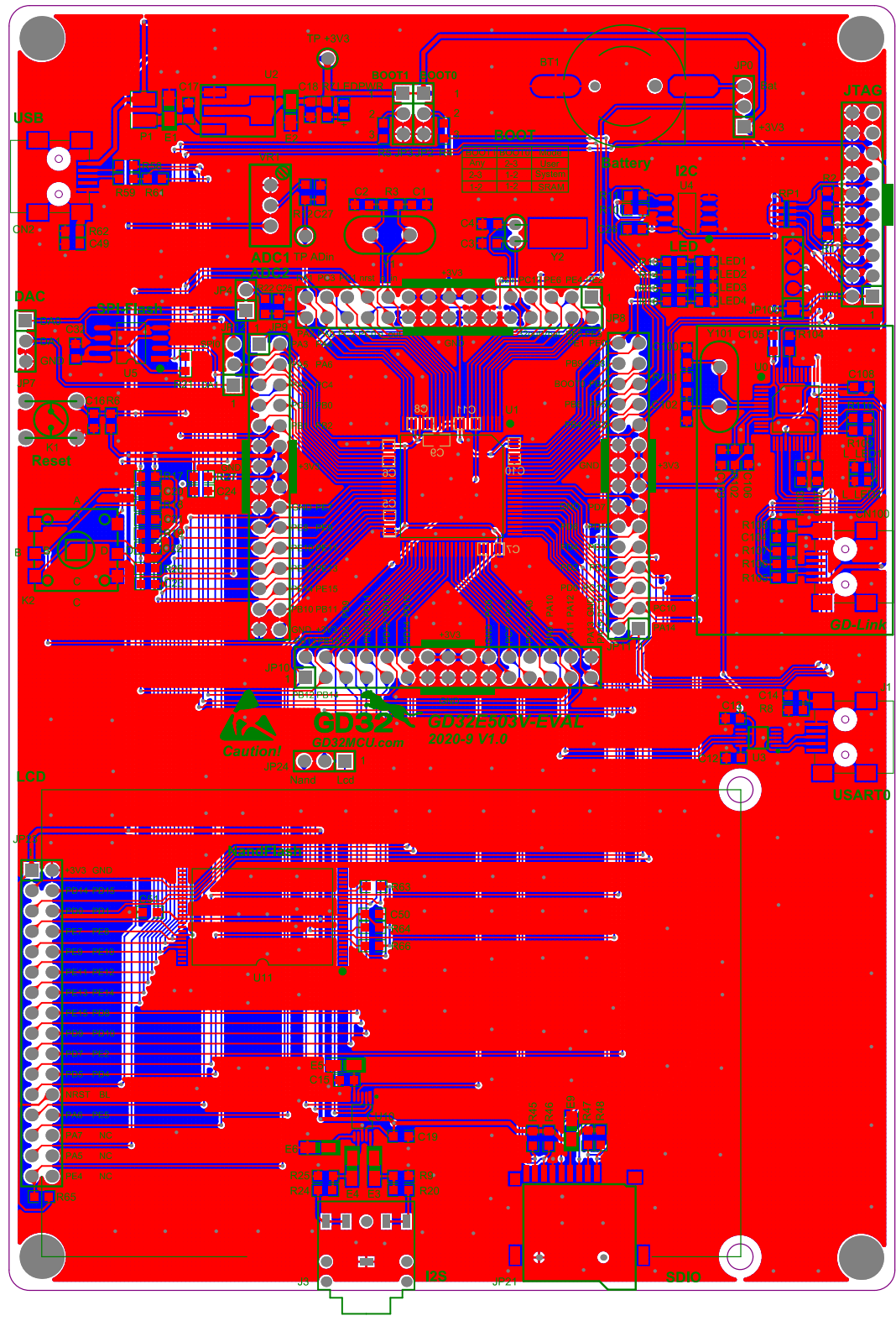
Company Name: GigaDevice

File Name: USB

Revision: 1.1

Data: 2020-3

Author: Xufei



Pin	Signal	Source
1	AVCC	User
2-3	AVCC	System
4-2	AVCC	System
1-2	AVCC	SRAM

GD32 GD32E303V-EVAL
2020-9 V1.0
GD32MCU.com
Caution! Nano Lcd

