

1

2

3

4

A

A

B

B

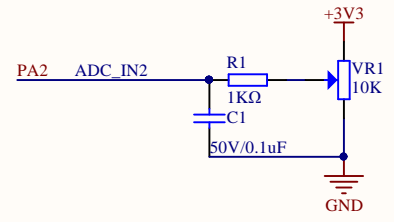
C

C

D

D

ADC



Company Name: GigaDevice

File Name: AD

Revision: 1.0

Data: 2022-1

Author: Xufei

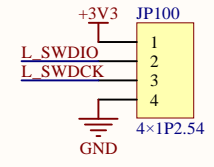
1

2

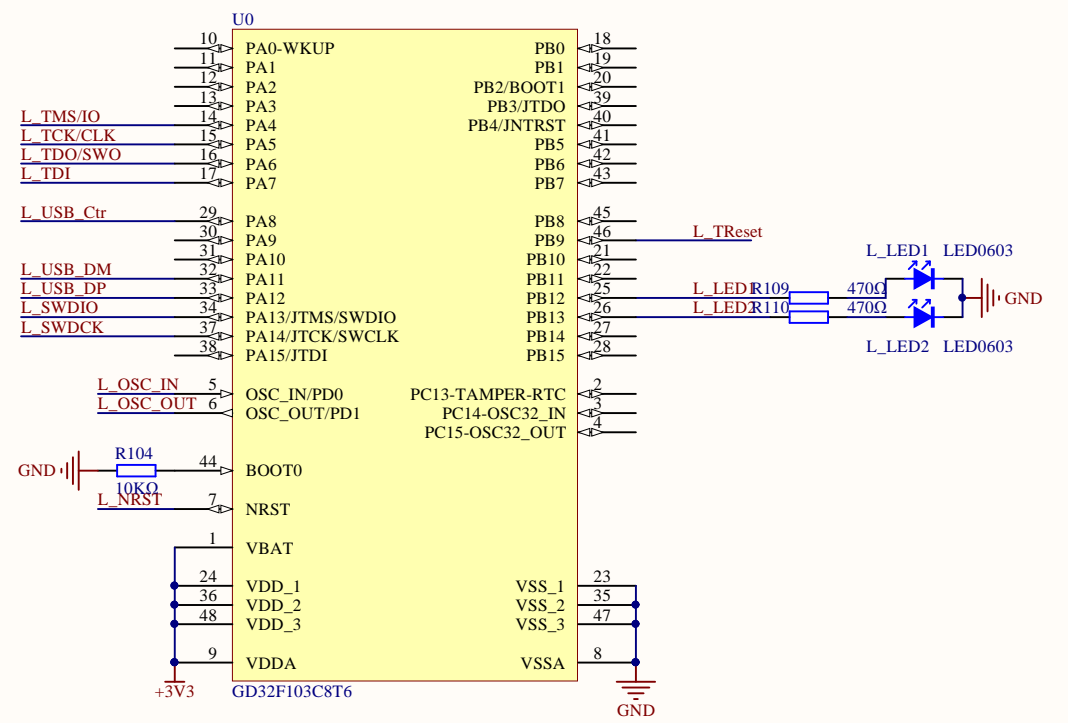
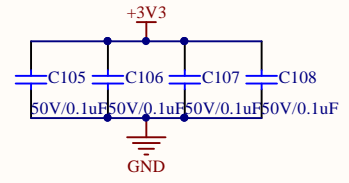
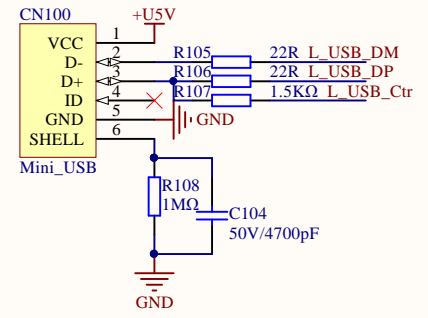
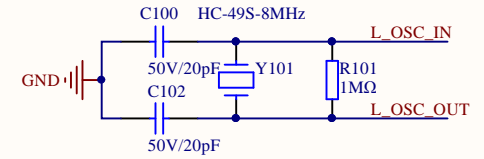
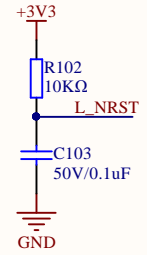
3

4

MCU SWD

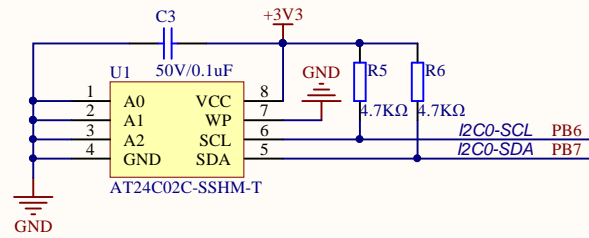


Reset

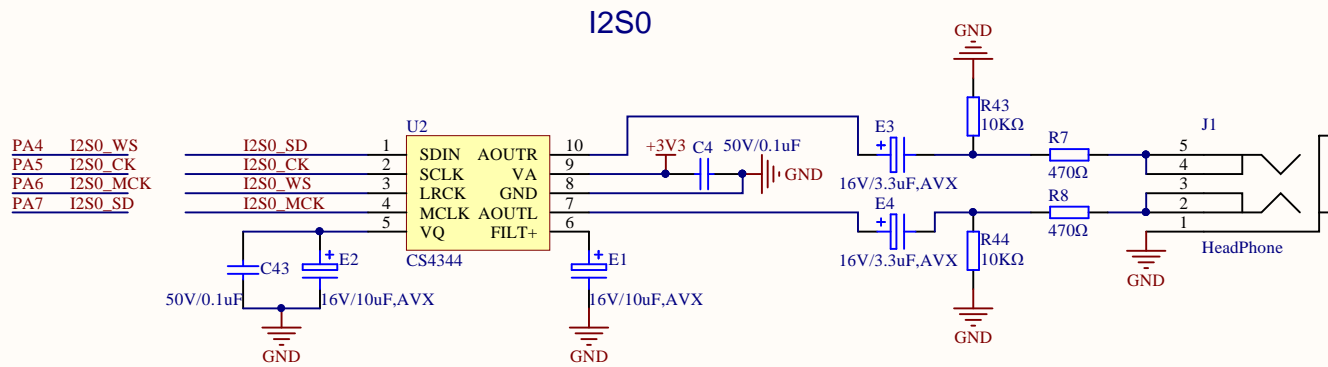


Company Name: GigaDevice		
File Name: GDLink		
Revision: 1.0	Data: 2022-1	Author: XuFei

I2C



Company Name: GigaDevice		
File Name: I2C		
Revision: 1.0	Data: 2022-1	Author: Xufei



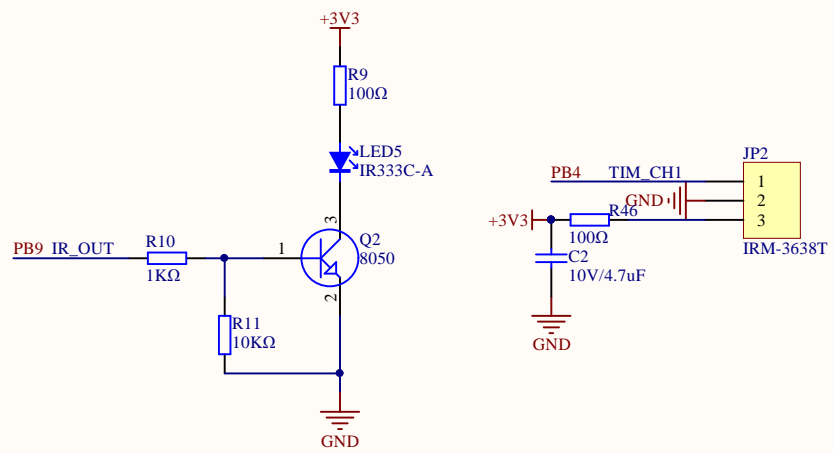
Company Name: GigaDevice

File Name: I2S0

Revision: 1.0

Data: 2022-1

Author: Xufei



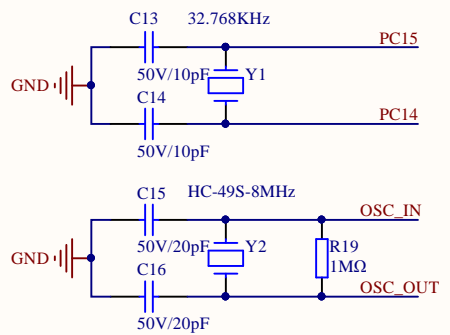
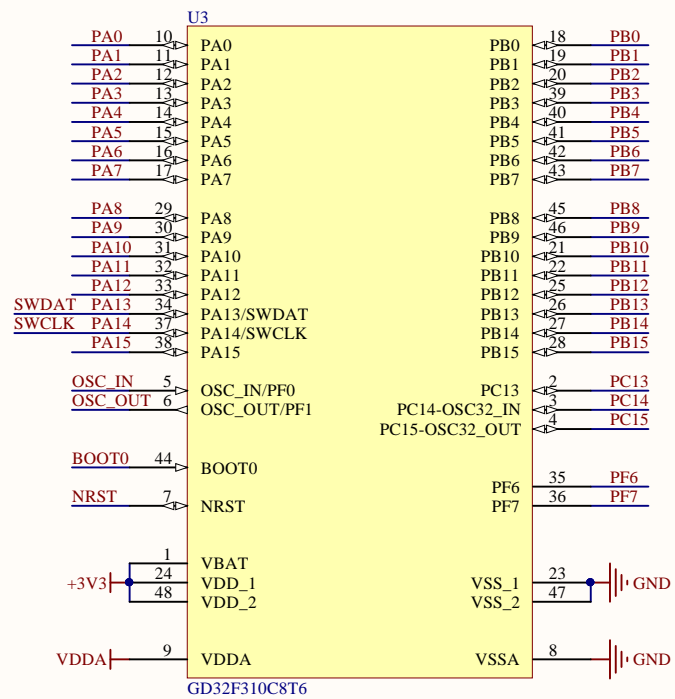
Company Name: GigaDevice

File Name: IR

Revision: 1.1

Data: 2022-1

Author: Xufei

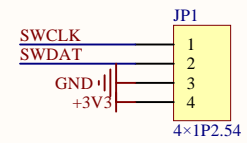
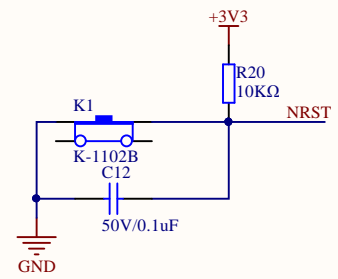
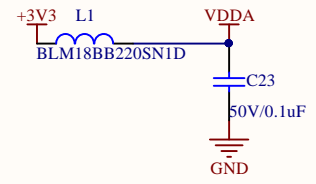
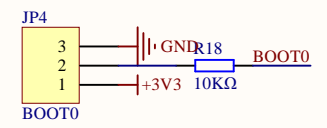
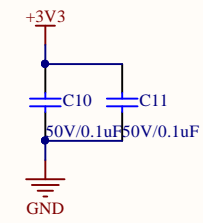


SWD GDLink

SWDAT L_TMS/IO

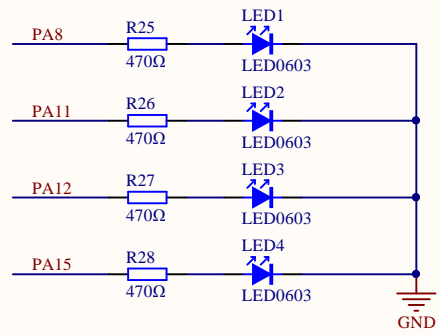
SWCLK L_TCK/CLK

NRST L_TRreset

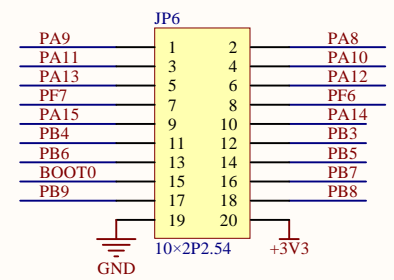


Company Name: GigaDevice		
File Name: MCU		
Revision: 1.0	Data: 2022-1	Author: Xufei

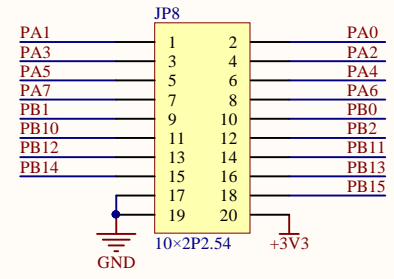
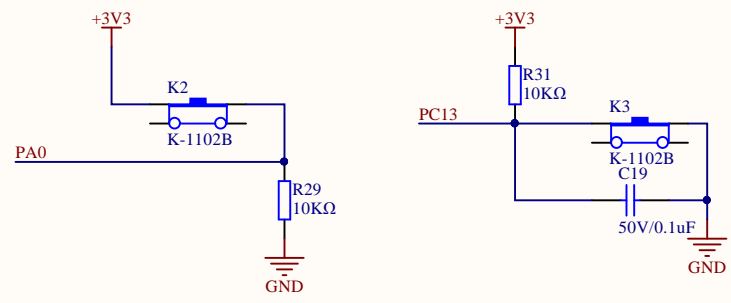
LED



EXTENTION



KEY



Company Name: GigaDevice		
File Name: Peripherals		
Revision: 1.0	Data: 2022-1	Author: Xufei

1

2

3

4

A

A

B

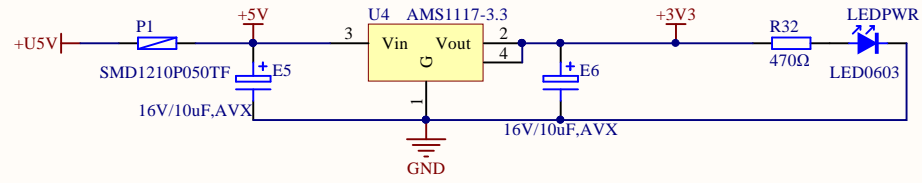
B

C

C

D

D



Company Name: GigaDevice

File Name: Power

Revision: 1.0

Data: 2022-1

Author: Xufei

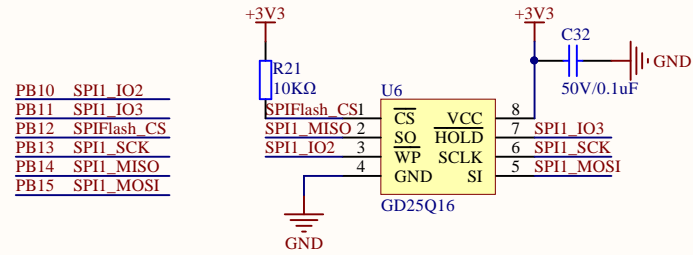
1

2

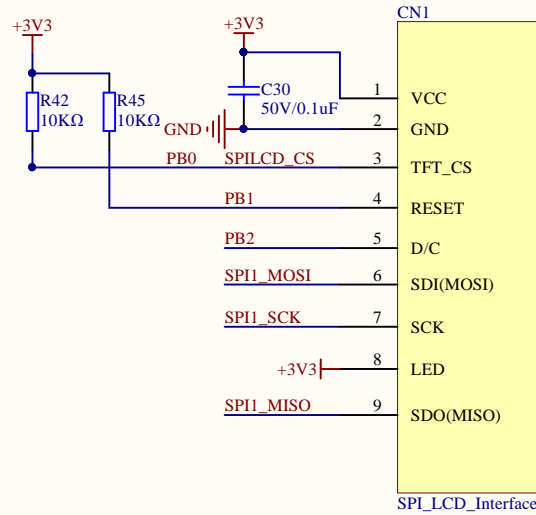
3

4

SPI Flash

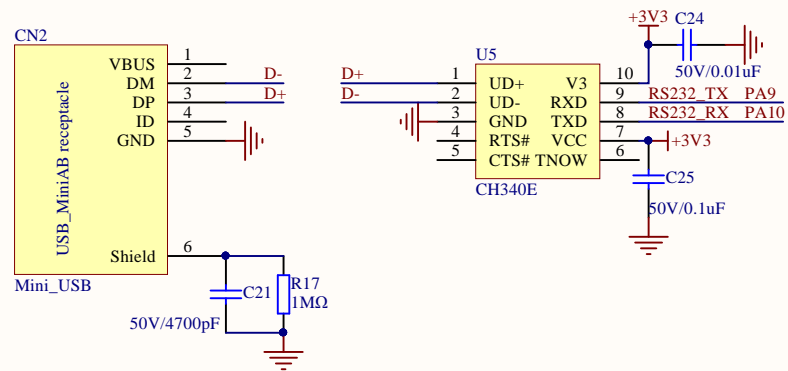


SPI LCD

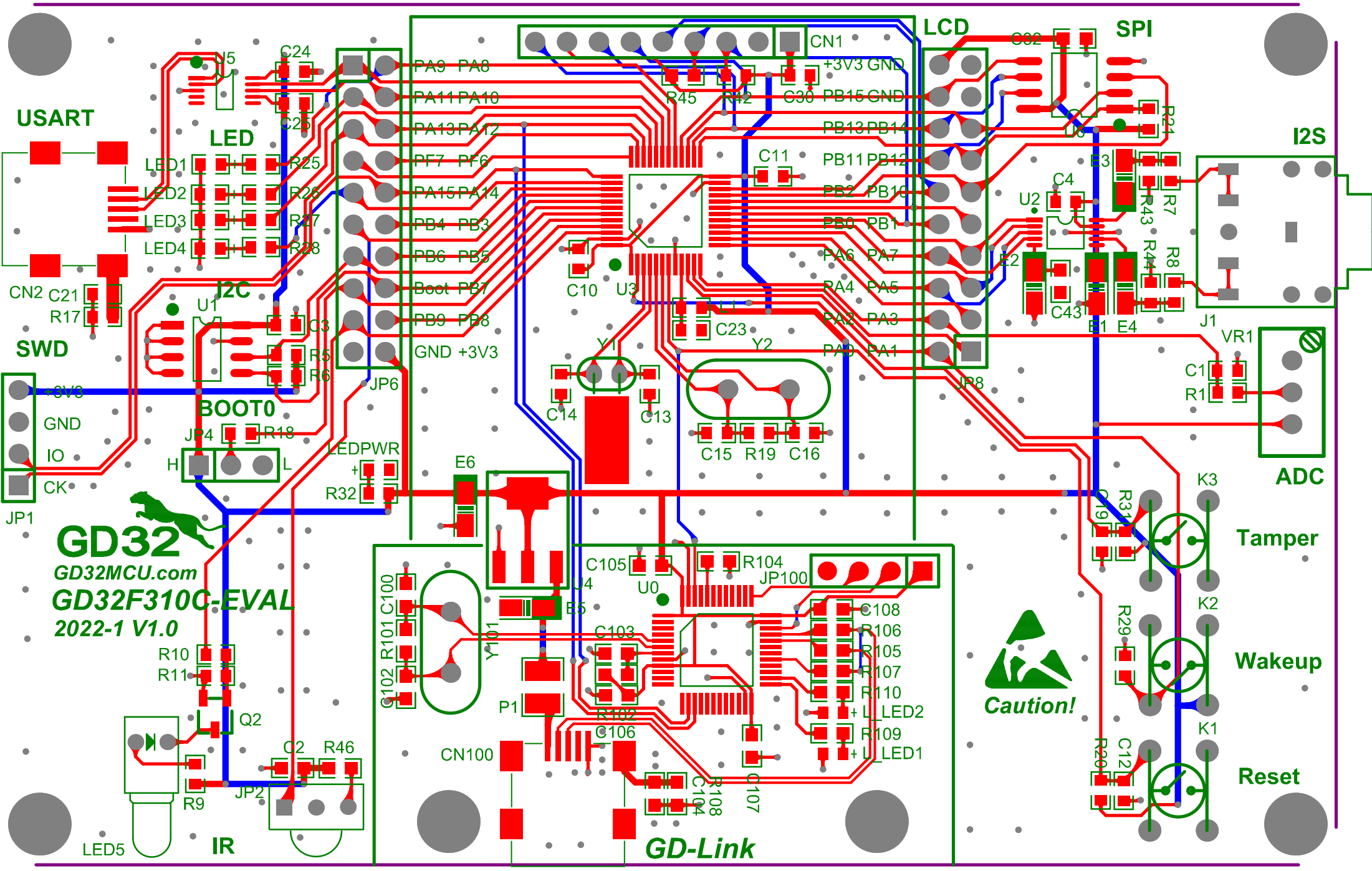


Company Name: GigaDevice		
File Name: SPI		
Revision: 1.0	Data: 2022-1	Author: Xufei

USART To USB



Company Name: GigaDevice		
File Name: USART		
Revision: 1.0	Data: 2022-1	Author: Xufei



USART

LED

LED1
LED2
LED3
LED4

I2C

SWD

+3V3
GND
IO
CK

BOOT0

H L

LEDPWR
+

GD32
GD32MCU.com
GD32F310C-EVAL
2022-1 V1.0

R10
R11

Q2

C2 R46

R9 JP2

LED5 IR

C102 R101 C100

CN100

GD-Link

C105 U4 U0 R104 JP100
C103 R106 R105 R107 R110
R102 R109 + L LED2
C106 R108 C104 C107
R108 C104

LCD

SPI

I2S

ADC

Tamper

Wakeup

Reset

