



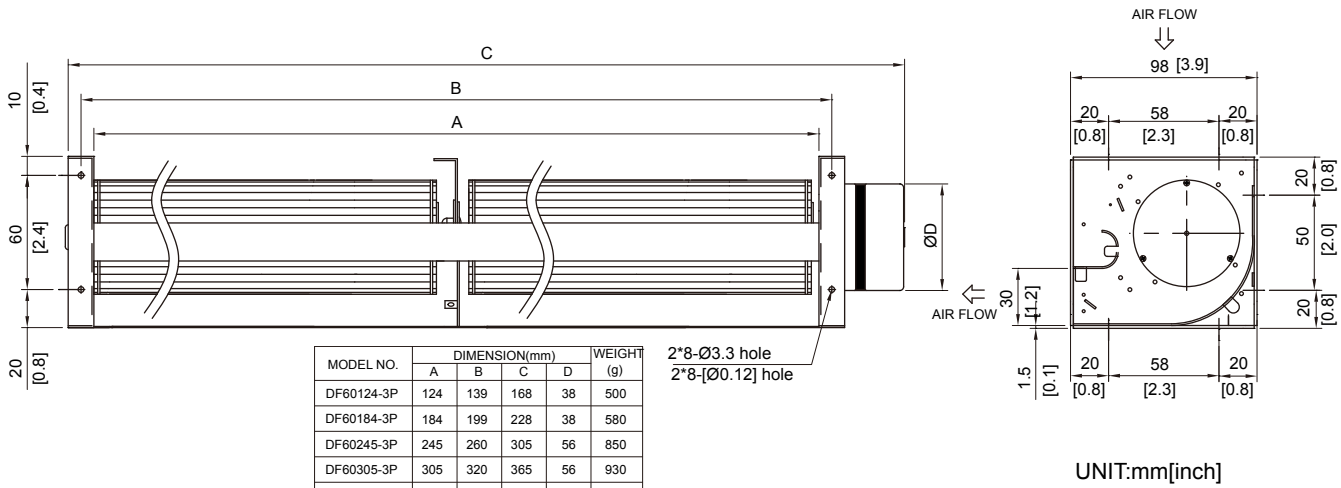
**HOUSING** Metal/Aluminum  
**IMPELLER** Aluminum, Ø60mm  
**BEARING** Ball  
**OPERATING TEMPERATURE** 0°C to + 45°C  
**DIELECTRIC STRENGTH** 5mA Max. at 500 VAC for 1 minute  
**INSULATION RESISTANCE** 10M Ω min. @500 VDC  
**MOTOR TYPE** DC Brushless Motor  
**ROHS COMPLIANCE** Yes  
**IP LEVEL** IP21 (Special IP Rating On Request)

\* FAN IS FOR HORIZONTAL USE ONLY \*  
 © Double impeller

# 60mm

60 mm

## DIMENSION



## SPECIFICATION

MODEL NO.	RATED VOLTAGE (V)	RATED CURRENT (A)	INPUT POWER (W)	SPEED (RPM)	MAX. AIR PRESSURE		MAX. AIR FLOW		NOISE dB(A)@ 1M
					inchH <sub>2</sub> O	mmH <sub>2</sub> O	CFM	m <sup>3</sup> /min	
DF60124V24HB-3P	24	0.35	8.4	2500	0.173	4.4	67.14	1.9	44
DF60184V24HB-3P	24	0.4	9.6	2200	0.126	3.2	88.34	2.5	42
DF60245V24HB-3P	24	0.42	10.08	2100	0.142	3.6	116.61	3.3	41
DF60305V24HB-3P	24	0.46	11.04	2000	0.138	3.5	144.88	4.1	41
DF60365V24HB-3P	24	0.51	12.24	1950	0.134	3.4	166.08	4.7	40
DF60425V24HB-3P	24	0.53	12.72	1900	0.13	3.3	187.28	5.3	40
DF60610V24HB-3P	24	0.69	15.12	1650	0.098	2.5	243.82	6.9	39
DF60750V24HB-3P ©	24	0.69	16.56	1700	0.102	2.6	272.08	7.7	40
DF60870V24HB-3P ©	24	0.78	18.72	1600	0.098	2.5	293.29	8.3	41

## AIR PERFORMANCE

