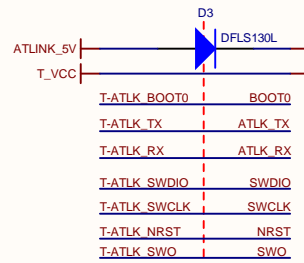
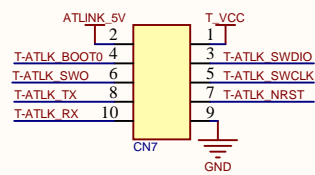
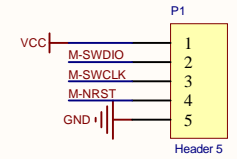


LD1-4: For AT-Link-EZ status



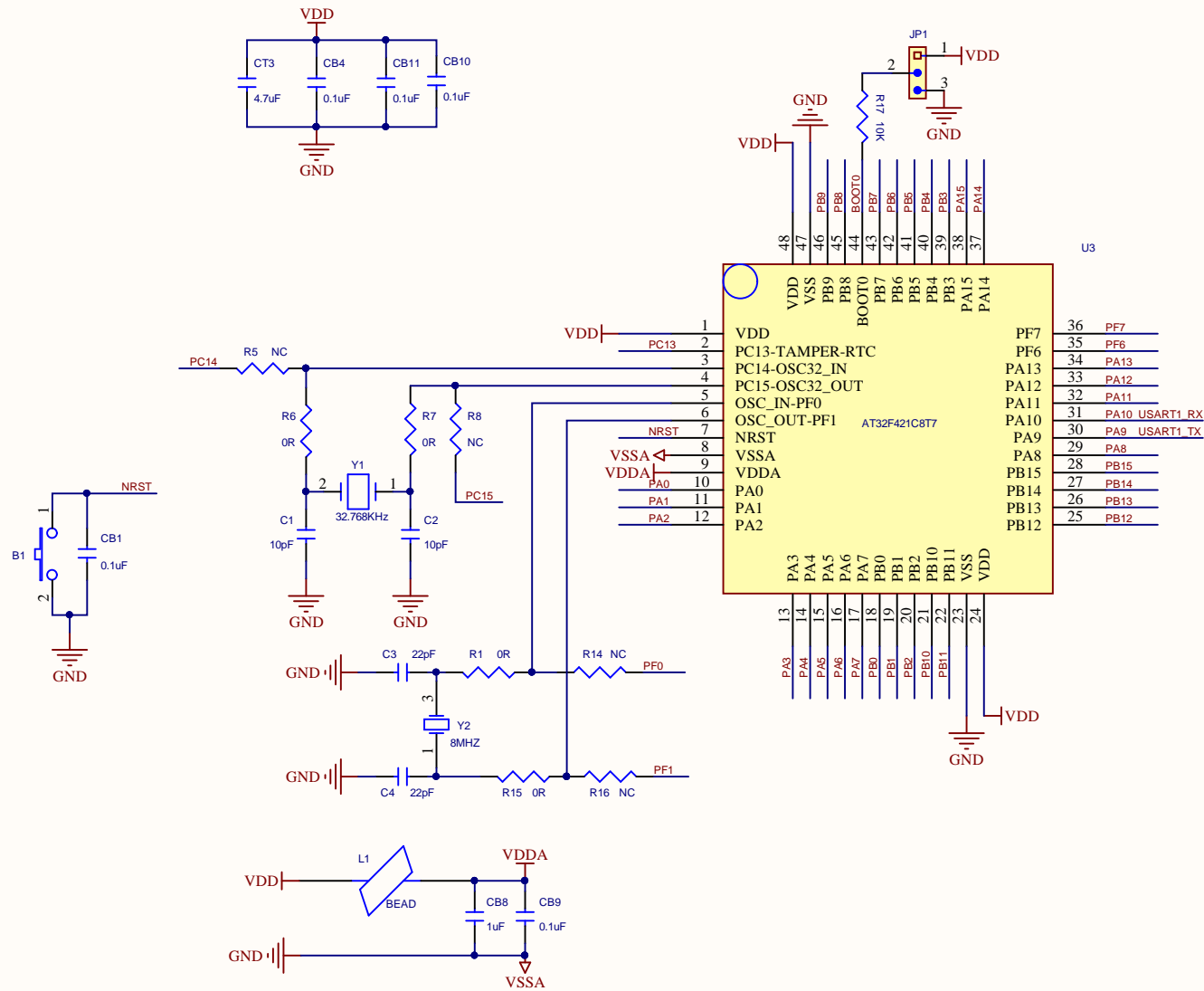
AT-Link EZ CN7 to AT-START CN2 connection



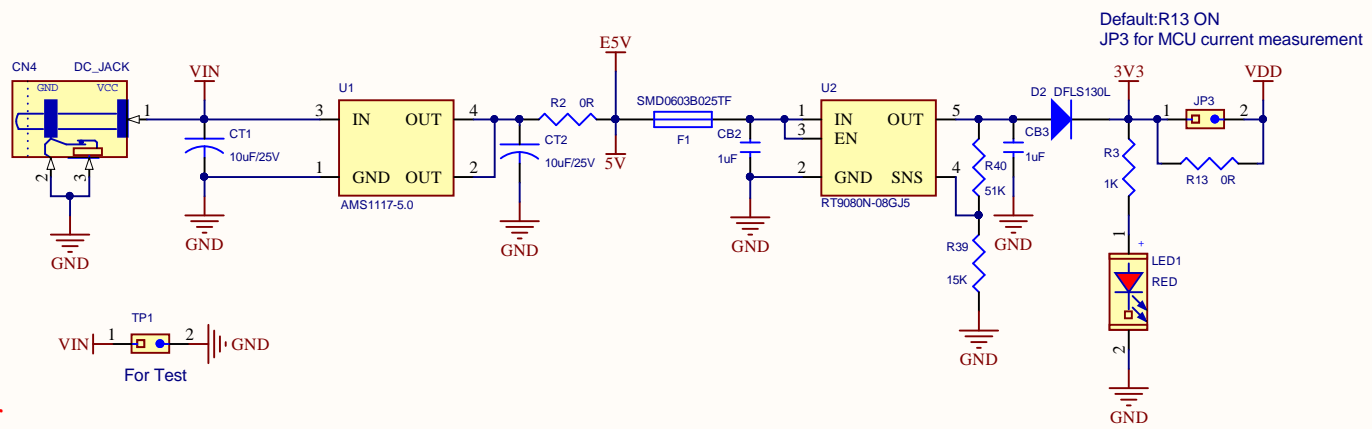
Artery Technology Corp.

Project:	Title: AT-LINK EZ	
Date: 2021/01/08	Sheet: 1 of	Rev: V1.2

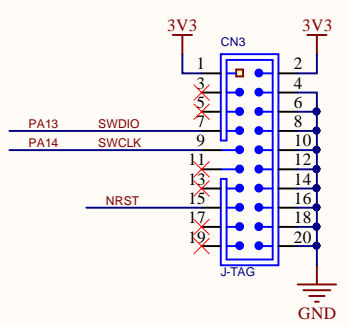
MCU



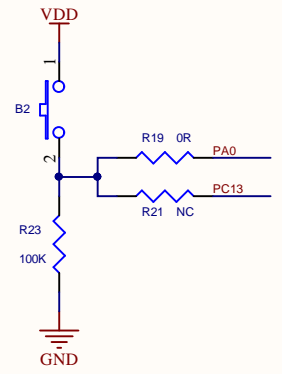
Artery Technology Corp.	
Project: AT-START-F421	Title: MCU
Date: 2021/01/08	Sheet: 2 of 4 Rev: V1.2



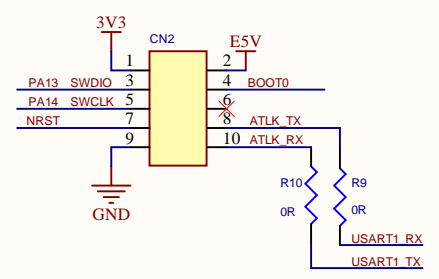
Power



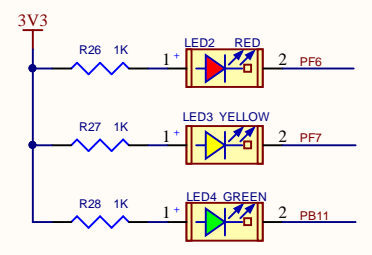
20-pin ARM standard JTAG



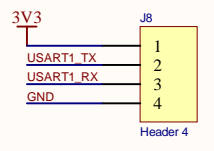
User key



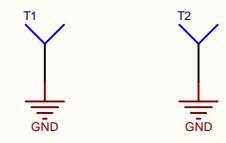
AT-Link interface



LEDs

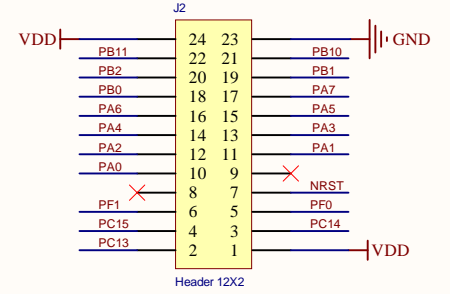
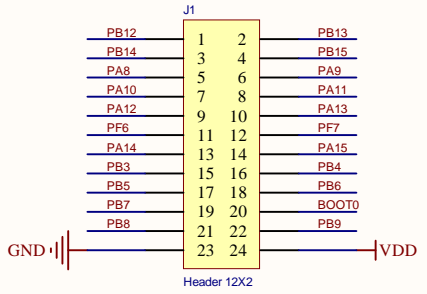
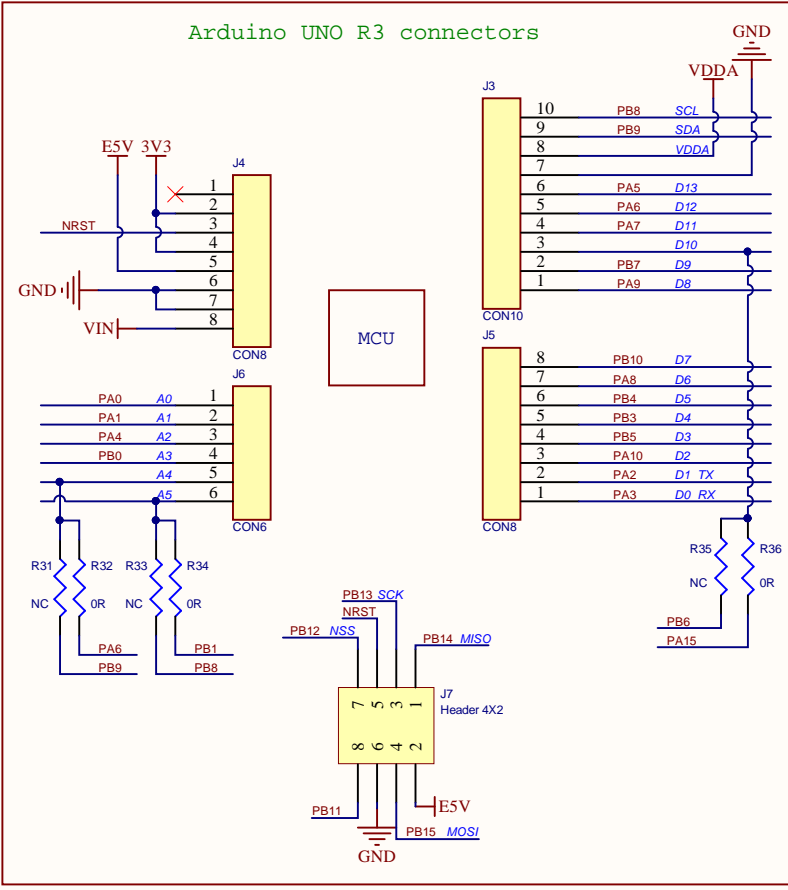


USART1 for ISP



Test points

Artery Technology Corp.		
Project: AT-START-F421	Title: Power & Peripherals	
Date: 2021/01/08	Sheet: 3 of 4	Rev: V1.2



Extension connectors

Artery Technology Corp.	
Project: AT-START-F421	Title: Extension connectors
Date: 2021/01/08	Sheet: 4 of 4 Rev: V1.2