

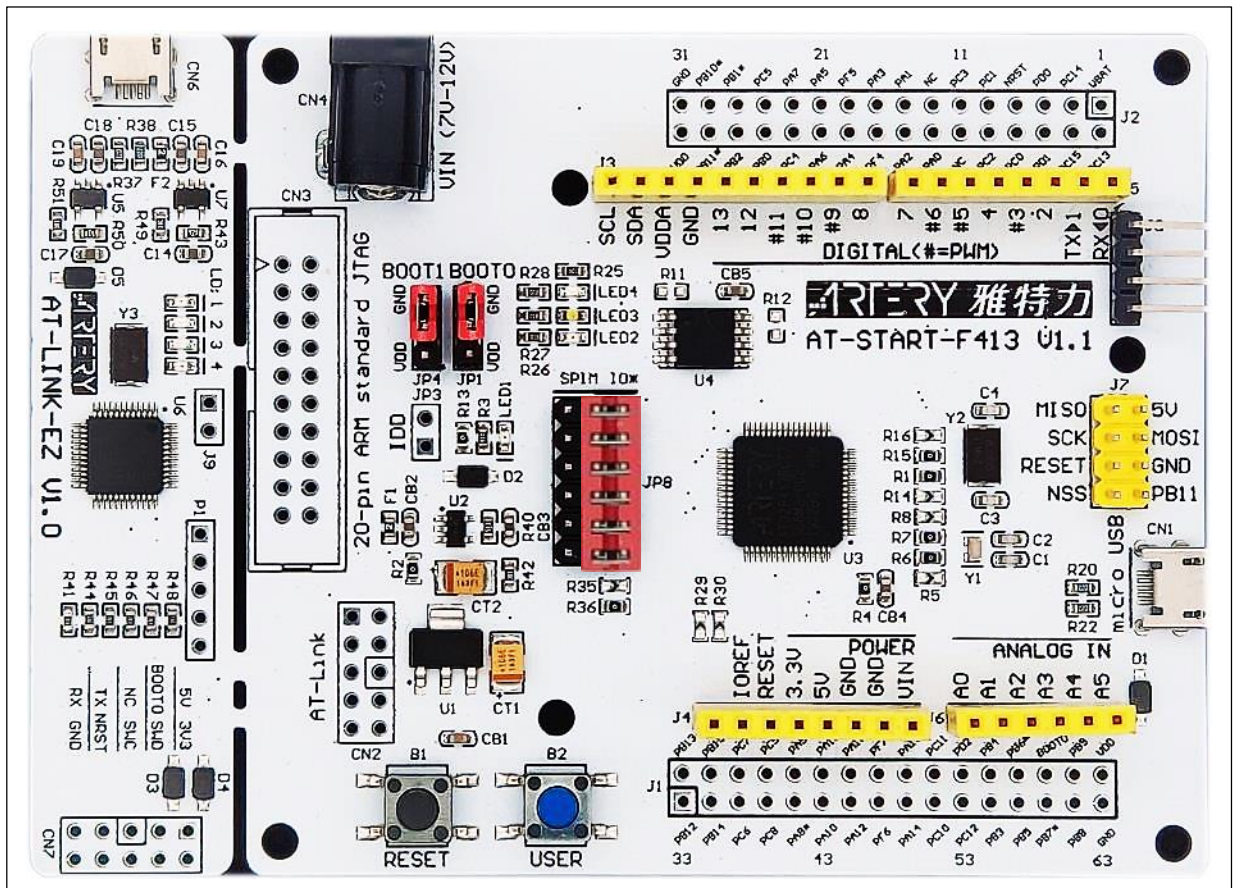
## Get started with AT32F413RCT7

### Introduction

AT-START-F413 is designed to help you explore the high-performance features of the 32-bit microcontroller, AT32F413 embedded with ARM Cortex®-M4F core with FPU, and help develop your applications.

AT-START-F413 is an evaluation board based on AT32F413RCT7 chip with LED indicators, buttons, an USB micro-B connector, Arduino™ Uno R3 extension connector and an expanded 16 MB SPI Flash memory. This evaluation board embeds debugging/programming tool AT-Link-EZ without the need of other development tools

Figure 1. AT-START-F413 and AT-Link-EZ appearance



# Contents

<b>1</b>	<b>Features .....</b>	<b>5</b>
<b>2</b>	<b>Conventional terms .....</b>	<b>6</b>
<b>3</b>	<b>Quick start .....</b>	<b>7</b>
	3.1 Get started.....	7
	3.2 Toolchains supporting AT-START-F413 .....	7
<b>4</b>	<b>Hardware and layout .....</b>	<b>8</b>
	4.1 Programming and debugging .....	10
	4.1.1 Embedded AT-Link-EZ .....	10
	4.1.2 20-pin ARM® standard JTAG connector.....	10
	4.2 Power supply selection.....	10
	4.3 LED indicators .....	11
	4.4 Buttons .....	11
	4.5 IDD.....	11
	4.6 External clock source .....	11
	4.6.1 HSE clock source.....	11
	4.6.2 LSE clock source.....	11
	4.7 Boot mode selection.....	12
	4.8 USB device.....	13
	4.9 Connect to the Bank3 of Flash memory via SPIM interface.....	13
	4.10 0 Ω resistors .....	14
	4.11 Extension connectors .....	15
	4.11.1 Arduino™ Uno R3 extension connector.....	15
	4.11.2 LQFP64 I/O port extension connector .....	16
<b>5</b>	<b>Schematic .....</b>	<b>17</b>
<b>6</b>	<b>Revision history .....</b>	<b>21</b>

## List of tables

Table 1. ON/OFF definition .....	6
Table 2. Boot mode selection jumper setting.....	12
Table 3. IO and SPIM jumper setting.....	13
Table 4. 0 $\Omega$ resistor setting .....	14
Table 5. Arduino™ Uno R3 extension connector pin definition .....	15
Table 6. Document revision history.....	21

## List of figures

Figure 1. AT-START-F413 and AT-Link-EZ appearance.....	1
Figure 2. Hardware block diagram .....	8
Figure 3. Top layer .....	9
Figure 4. Bottom layer .....	9
Figure 5. Schematic (AT-Link-EZ) .....	17
Figure 6. Schematic (microcontroller).....	18
Figure 7. Schematic (power supply and peripherals).....	19
Figure 8. Schematic (extension connectors) .....	20

# 1 Features

AT-START-F413 has the following characteristics:

- AT-START-F413 has an on-board AT32F413RCT7 microcontroller that embeds ARM Cortex®-M4F, 32-bit processor, 256 KB Flash memory and 32 KB SRAM, LQFP64 packages.
- On-board AT-Link connector:
  - The on-board AT-Link-EZ can be used for programming and debugging (AT-Link-EZ is a simplified version of AT-Link, and does not support offline mode)
  - If AT-Link-EZ is separated from this board by bending over along the joint, AT-START-F413 can be connected to an independent AT-Link for programming and debugging
- On-board 20-pin ARM standard JTAG connector (with a JTAG/SWD connector for programming/debugging)
- 16 MB SPI Flash EN25QH128A is used as an expanded Flash memory Bank 3
- Various power supply methods:
  - Through the USB bus of AT-Link-EZ
  - Through the USB bus ( $V_{BUS}$ ) of AT-START-F413
  - External 7~12 V power supply ( $V_{IN}$ )
  - External 5 V power supply (E5V)
  - External 3.3 V power supply
- 4 x LED indicators:
  - LED1 (red) used for 3.3 V power-on
  - 3 x USER LEDs, LED2 (red), LED3 (white) and LED4 (green)
- 2 x buttons (user button and reset button)
- 8 MHz HSE crystal
- 32.768 kHz LSE crystal
- USB micro-B connector
- Various extension connectors can be quickly connected into a prototype board and easy to explore:
  - Arduino™ Uno R3 extension connector
  - LQFP64 I/O extension connector

## 2 Conventional terms

*Table 1* shows the definitions of some conventions used in this document.

**Table 1. ON/OFF definition**

<b>Conventional terms</b>	<b>Definition</b>
Jumper JPx ON	Jumper installed
Jumper JPx OFF	Jumped not installed
Resistor Rx ON	Short circuit by solder or 0Ω resistor
Resistor Rx OFF	Open

## 3 Quick start

AT-START-F413 is a low-cost and easy-to-use development kit that is designed for quickly evaluating and using the high-performance AT32F413 microcontrollers to develop applications.

### 3.1 Get started

Configure the AT-START-F413 board in the following order to start the application:

1. Check the Jumper position on the board:

JP1 is connected to GND or OFF (BOOT0 pin is 0, and BOOT0 has an pull-down resistor in the AT32F413RCT7);

JP4 optional or OFF (BOOT1 is in any state);

JP8 one-piece jumper is connected to the I/O on the right.

2. Connect the AT-START-F413 board to the PC through an USB cable (Type A to micro-B), and the board will be powered via AT-Link-EZ USB connector CN6. LED1 (red) is always on, and the other three LEDs (LED2 to LED4) start to blink in turn.
3. After pressing the USER button (B2), the blink frequency of three LEDs are changed

### 3.2 Toolchains supporting AT-START-F413

- ARM® Keil®: MDK-ARM™
- IAR™: EWARM

## 4 Hardware and layout

AT-START-F413 board is designed around an AT32F413RCT7 microcontroller in LQFP64 package.

*Figure 2* shows the connections between AT-Link-EZ, AT32F413RCT7 and their peripherals (buttons, LEDs, USB, SPI Flash memory and extension connectors)

*Figure 3* and *Figure 4* shows these features on the AT-Link-EZ and AT-START-F413 board.

**Figure 2. Hardware block diagram**

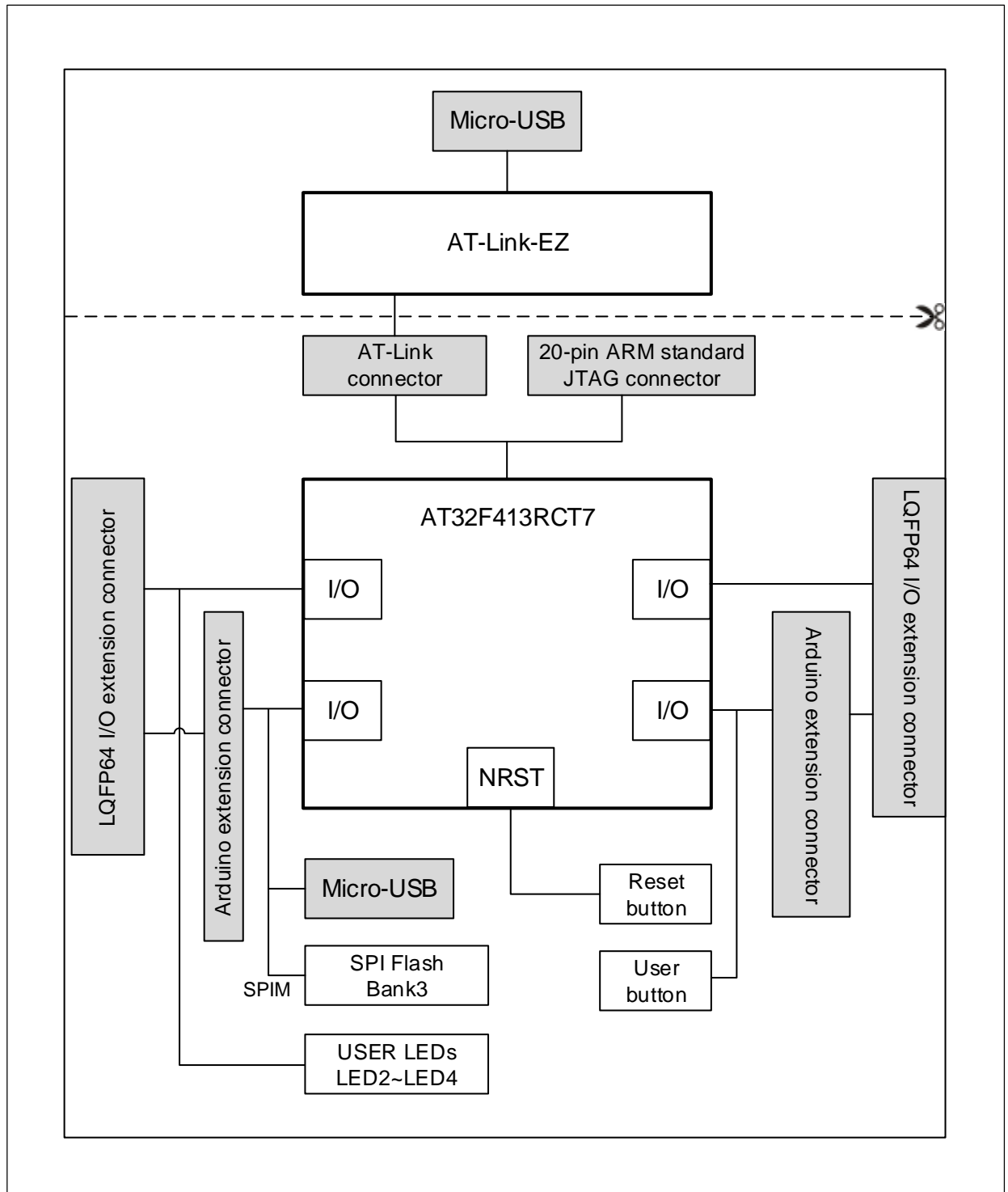




Figure 3. Top layer

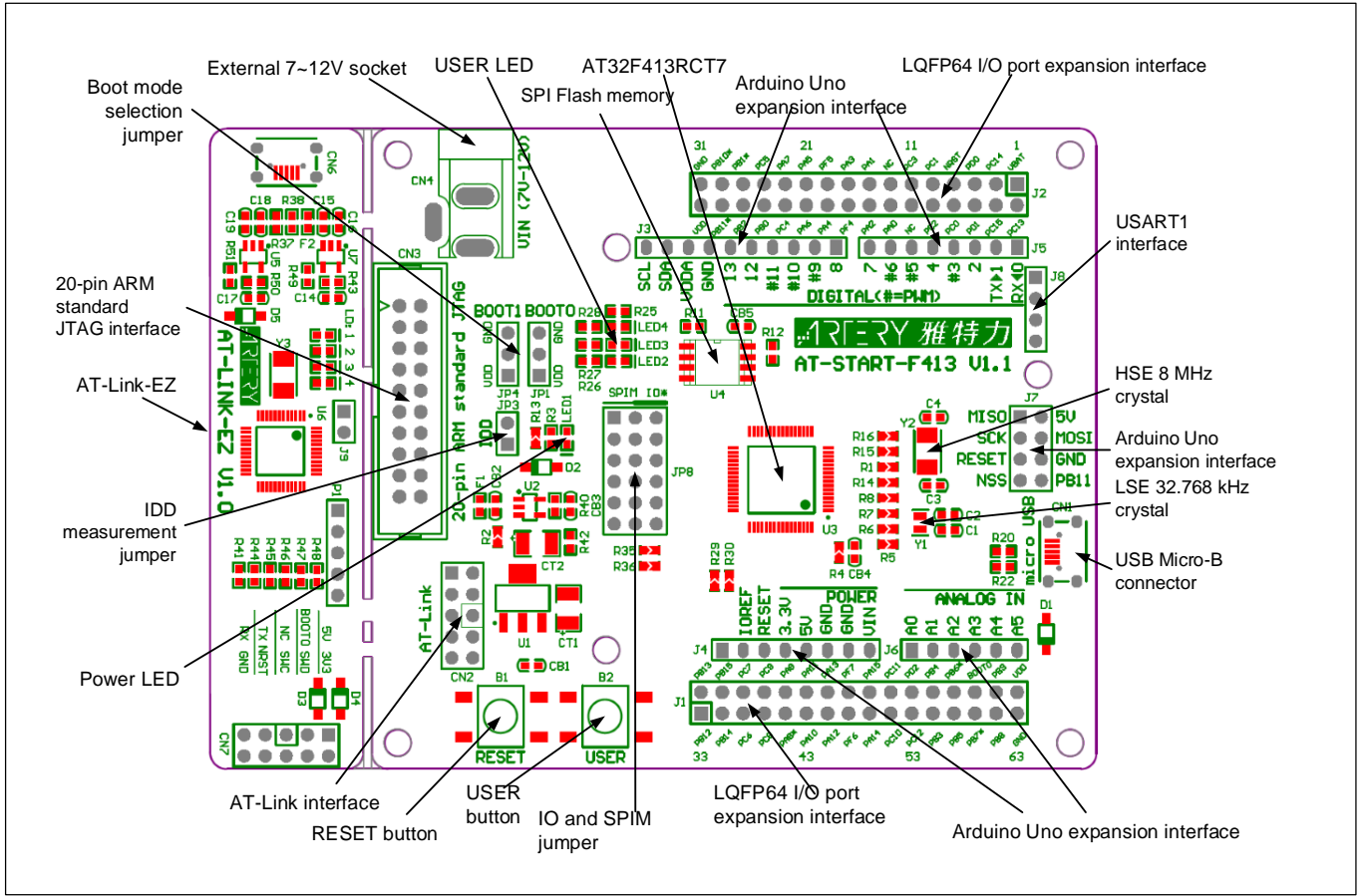
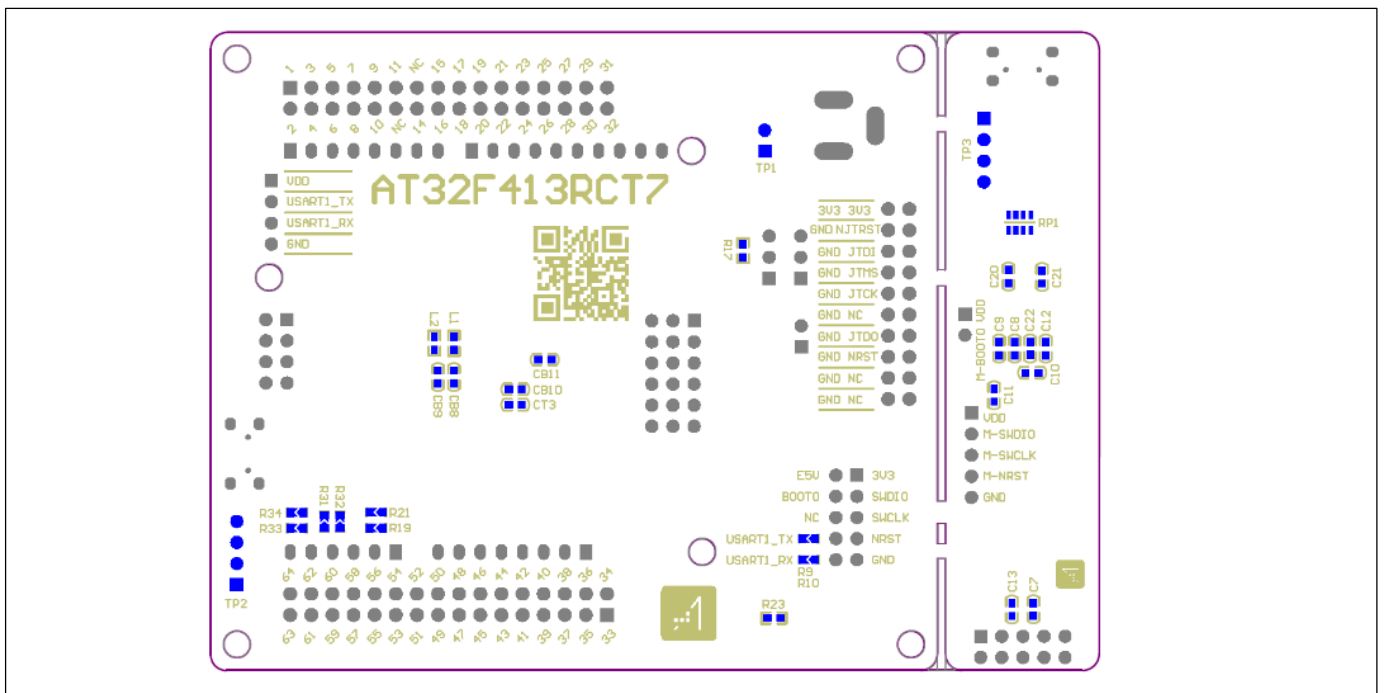


Figure 4. Bottom layer



## 4.1 Programming and debugging

### 4.1.1 Embedded AT-Link-EZ

The evaluation board embeds Artery AT-Link-EZ programming and debugging tool for users to program/debug the AT32F413RCT7 on the AT-START-F413 board. AT-Link-EZ supports SWD interface mode and supports a set of virtual COM ports (VCP) to connect to the USART1\_TX/USART1\_RX (PA9/PA10) of AT32F413RCT7. In this case, PA9 and PA10 of AT32F413RCT7 will be affected by AT-Link-EZ as follows:

- PA9 is weakly pulled up to high level by the VCP RX pin of AT-Link-EZ;
- PA10 is strongly pulled up to high level by the VCP TX pin of AT-Link-EZ

The user can set R9 and R10 OFF, then the use of PA9 and PA10 of AT32F413RCT7 is not subject to the above restrictions.

Please refer to [AT-Link User Manual](#) for complete details on the operations, firmware upgrade and precautions of AT-Link-EZ.

The AT-Link-EZ PCB on the evaluation board can be separated from AT-START-F413 by bending over along the joint. In this case, AT-START-F413 can still be connected to the CN7 of AT-Link-EZ through CN2 (not mounted before shipping), or can be connected with another AT-Link to continue the programming and debugging on the AT32F413RCT7.

### 4.1.2 20-pin ARM<sup>®</sup> standard JTAG connector

AT-START-F413 also reserves JTAG or SWD general-purpose connectors as programming/debugging tools. If the user wants to use this interface to program and debug the AT32F413RCT7, please separate the AT-Link-EZ from this board or set R41, R44 and R46 OFF, and connect the CN3 (not mounted before shipping) to the programming and debugging tool.

## 4.2 Power supply selection

The 5 V power supply of AT-START-F413 can be provided through a USB cable (either through the USB connector CN6 on the AT-Link-EZ or USB connector CN1 on the AT-START-F413), or through an external 5 V power supply (E5V), or by an external 7~12 V power supply (VIN) via 5V voltage regulator (U1) on the board. In this case, the 5 V power supply provides the 3.3 V power required by the microcontrollers and peripherals by means of the 3.3 V voltage regulator (U2) on the board.

The 5 V pin of J4 or J7 can also be used as an input power source. The AT-START-F413 board must be powered by a 5 V power supply unit.

The 3.3 V pin of J4 or the VDD pin of J1 and J2 can also be directly used as 3.3 V input power supply. AT-START-F413 board must be powered by a 3.3 V power supply unit.

*Note: Unless 5 V is provided through the USB connector (CN6) on the AT-Link-EZ, the AT-Link-EZ will not be powered by other power supply methods.*

When another application board is connected to J4, the pin VIN, 5 V and 3.3 V can be used as output power; J7 5V pin used as 5 V output power; the VDD pin of J1 and J2 used as 3.3 V output power.

## 4.3 LED indicators

**Power LED1:** red indicates that the board is powered by 3.3 V

**User LED2:** red, connected to the PC2 pin of AT32F413RCT7

**User LED3:** white, connected to the PC3 pin of AT32F413RCT7

**User LED4:** green, connected to the PC5 pin of AT32F413RCT7

## 4.4 Buttons

**Reset button B1:** connected to NRST to reset AT32F413RCT7

**User button B2:** it is, by default, connected to the PA0 of AT32F413RCT7, and alternatively used as a wake-up button (R19 ON, R21 OFF); Or connected to PC13 and alternatively used as TAMPER-RTC button (R19 OFF, R21 ON)

## 4.5 IDD

In the event of JP3 OFF (symbol IDD) and R13 OFF, it is allowed to connect an ammeter to measure the power consumption of AT32F413RCT7.

- JP3 OFF, R13 ON: AT32F413RCT77 is powered (Default setting, and JP3 plug is not mounted before shipping).
- JP3 ON, R13 OFF: AT32F413RCT7 is powered.
- JP3 OFF, R13 OFF: an ammeter must be connected to measure the power consumption of AT32F413RCT7 (if there is no ammeter, the AT32F413RCT7 cannot be powered).

## 4.6 External clock source

### 4.6.1 HSE clock source

There are three hardware modes to set the external high-speed clock sources:

- **On-board crystal (default setting):** the 8 MHz crystal on the board is used as HSE clock source. The hardware setting must be: R1 and R15 ON, R14 and R16 OFF
- **Oscillator from external PD0:** external oscillator is injected from the 5th pin of J2. The hardware setting must be: R14 and R16 ON, R1 and R15 OFF.
- **HSE not used:** PD0 and PD1 are used as GPIO. The hardware setting must be: R14 and R16 ON, R1 and R15 OFF.

### 4.6.2 LSE clock source

There are three hardware modes to set the external low-speed clock sources:

- **On-board crystal (default setting):** the 32.768 kHz crystal on the board is used as LSE clock source. The hardware setting must be: R6 and R7 ON, R5 and R8 OFF
- **Oscillator from external PC14:** external oscillator is injected from the J2 pin\_3. The hardware setting must be: R5 and R8 ON, R6 and R7 OFF.
- **LSE not used:** PC14 and PC15 are used as GPIO. The hardware setting must be: R5 and R8 ON, R6 and R7 OFF.

## 4.7 Boot mode selection

At startup, three different boot modes can be selected by means of the pin configuration.

**Table 2. Boot mode selection jumper setting**

Jumper	Boot mode selection pins		Settings
	BOOT1	BOOT0	
JP1 connected to GND or OFF; JP4 optional or OFF	X	0	Boot from the internal Flash memory with the jumper setting below: (By default, JP1 is connected to GND) 
JP1 connected to VDD JP4 connected to GND	0	1	Boot from the system memory with the jumper setting below: 
JP1 connected to VDD JP4 connected to VDD	1	1	Boot from SRAM with the jumper setting below: 

## 4.8 USB device

AT-START-F413 board supports USB full-speed device communication through an USB micro-B connector (CN1).  $V_{BUS}$  can be used as 5 V power supply of AT-START-F413 board.

## 4.9 Connect to the Bank3 of Flash memory via SPIM interface

The SPI Flash EN25QH128A on the board is connected to the AT32F413RCT7 via SPIM interface and used as Bank 3 of expanded Flash memory.

When using the Bank 3 of the Flash memory via SPIM interface, the JP8 one-piece jumper, as shown in [Table 3](#), should select the left SPIM side. In this case, PB1, PA8, PB10 PB11, PB6 and PB7 are not connected to the external LQFP64 I/O extension connector. These 6 pins are marked by adding [\*] after the pin name of extension connector on the PCB silkscreen.

**Table 3. IO and SPIM jumper setting**

Jumper	Settings
JP8 is connected to IO side	<p>To use IO function, the jumper is installed as follows: (Default setting before shipping)</p>
JP8 is connected to SPIM side	<p>To use SPIM function, the jumper is installed as follows: (Default setting before shipping)</p>

## 4.10 0 Ω resistors

**Table 4. 0 Ω resistor setting**

Resistor	State <sup>(1)</sup>	Description
R13 (Microcontroller power consumption measurement)	<b>ON</b>	When JP3 is OFF, 3.3V is connected to the microcontroller to provide power supply
	OFF	When JP3 is OFF, 3.3V allows an ammeter to be connected to measure the power consumption of microcontroller (if no ammeter, the microcontroller cannot be powered)
R4 (V <sub>BAT</sub> power supply)	<b>ON</b>	V <sub>BAT</sub> must be connected to VDD
	OFF	V <sub>BAT</sub> can be powered by the 1st pin VBAT of J2
R1, R14, R15, R16 (HSE)	<b>ON, OFF, ON, OFF</b>	HSE clock source uses crystal Y2 on the board
	OFF, ON, OFF, ON	HSE clock source is from external PD0 or PD0 and PD1 are used as GPIO.
R5, R6, R7, R8 (LSE)	<b>OFF, ON, ON, OFF</b>	LSE clock source uses crystal Y1 on the board
	ON, OFF, OFF, ON	LSE clock source is from external PC14 or PC14 and PC15 are used as GPIO.
R19, R21 (USER button B2)	<b>ON, OFF</b>	User button B2 is connected to PA0
	OFF, ON	User button B2 is connected to PC13
R29, R30 (PA11, PA12)	<b>OFF, OFF</b>	When PA11 and PA12 are used as USB, they are not connected to pin_12 and pin_13 of J1
	ON, ON	When PA11 and PA12 are not used as USB, they can be connected to pin_12 and pin_13 of J1
R31, R32, R33, R34 (Arduino™ A4, A5)	<b>OFF, ON, OFF, ON</b>	Arduino™ A4 and A5 is connected to ADC_IN11 and ADC_IN10
	ON, OFF, ON, OFF	Arduino™ A4 and A5 is connected to I2C1_SDA and I2C1_SCL
R35, R36 (Arduino™ D10)	<b>OFF, ON</b>	Arduino™ D10 is connected to SPI1_SS
	ON, OFF	Arduino™ D10 is connected to PWM (TMR4_CH1)
R9 (USART1_RX)	<b>ON</b>	USART1_RX of AT32F413RCT7 is connected to VCP TX of AT-Link-EZ
	OFF	USART1_RX of AT32F413RCT7 is disconnected from VCP TX of AT-Link-EZ
R10 (USART1_TX)	<b>ON</b>	USART1_TX of AT32F413RCT7 is connected to VCP RX of AT-Link-EZ
	OFF	USART1_TX of AT32F413RCT7 is disconnected from VCP RX of AT-Link-EZ

(1) The factory default Rx state is shown in BOLD.

## 4.11 Extension connectors

### 4.11.1 Arduino™ Uno R3 extension connector

Female plug J3~J6 and male J7 support standard Arduino™ Uno R3 connector. Most of the daughter boards designed around Arduino™ Uno R3 are suitable for AT-START-F413.

*Note 1: The I/O ports of AT32F413RCT7 are 3.3 V compatible with Arduino™ Uno R3, but 5V incompatible.*

*Note 2: The pin\_8 of J3 is VDDA, which has the same level as VDD, without AFEF function defined by Arduino™ Uno R3*

**Table 5. Arduino™ Uno R3 extension connector pin definition**

Connector	Pin number	Arduino pin name	AT32F413 pin name	Functions
J4 (Power supply)	1	NC	-	-
	2	IOREF	-	3.3V reference
	3	RESET	NRST	External reset
	4	3.3V	-	3.3V input/output
	5	5V	-	5V input/output
	6	GND	-	Ground
	7	GND	-	Ground
	8	VIN	-	7~12V input/output
J6 (Analog input)	1	A0	PA0	ADC12_IN0
	2	A1	PA1	ADC12_IN1
	3	A2	PA4	ADC12_IN4
	4	A3	PB0	ADC12_IN8
	5	A4	PC1 or PB9 <sup>(1)</sup>	ADC12_IN11 or I2C1_SDA
	6	A5	PC0 or PB8 <sup>(1)</sup>	ADC12_IN10 or I2C1_SCL
J5 (Logic input/output low byte)	1	D0	PA3	USART2_RX
	2	D1	PA2	USART2_TX
	3	D2	PA10	-
	4	D3	PB3	TMR2_CH2
	5	D4	PB5	-
	6	D5	PB4	TMR3_CH1
	7	D6	PB10	TMR2_CH3
	8	D7	PA8 <sup>(2)</sup>	-
J3 (Logic input/output high byte)	1	D8	PA9	-
	2	D9	PC7	TMR8_CH2
	3	D10	PA15 or PB6 <sup>(1)(2)</sup>	SPI1_NSS or TMR4_CH1
	4	D11	PA7	TMR3_CH2 or SPI1_MOSI
	5	D12	PA6	SPI1_MISO
	6	D13	PA5	SPI1_SCK
	7	GND	-	Ground
	8	VDDA	-	VDDA output
	9	SDA	PB9	I2C1_SDA
	10	SCL	PB8	I2C1_SCL

Connector	Pin number	Arduino pin name	AT32F413 pin name	Functions
J7 (Others)	1	MISO	PB14	SPI2_MISO
	2	5V	-	5V input/output
	3	SCK	PB13	SPI2_SCK
	4	MOSI	PB15	SPI2_MOSI
	5	RESET	NRST	External reset
	6	GND	-	Ground
	7	NSS	PB12	SPI2_NSS
	8	PB11	PB11	-

(1) 0Ω resistor setting is shown in [Table 4](#).

(2) SPIM must be disabled and JP8 one-piece jumper must select I/O, otherwise PA8 and PB6 cannot be used.

## 4.11.2 LQFP64 I/O port extension connector

The extension connectors J1 and J2 can connect the AT-START-F413 to external prototype/packing board. The I/O ports of AT32F413RCT7 are available on these extension connectors. J1 and J2 can also be measured with the probe of oscilloscope, logic analyzer or voltmeter.



## 5 Schematic

Figure 5. Schematic (AT-Link-EZ)

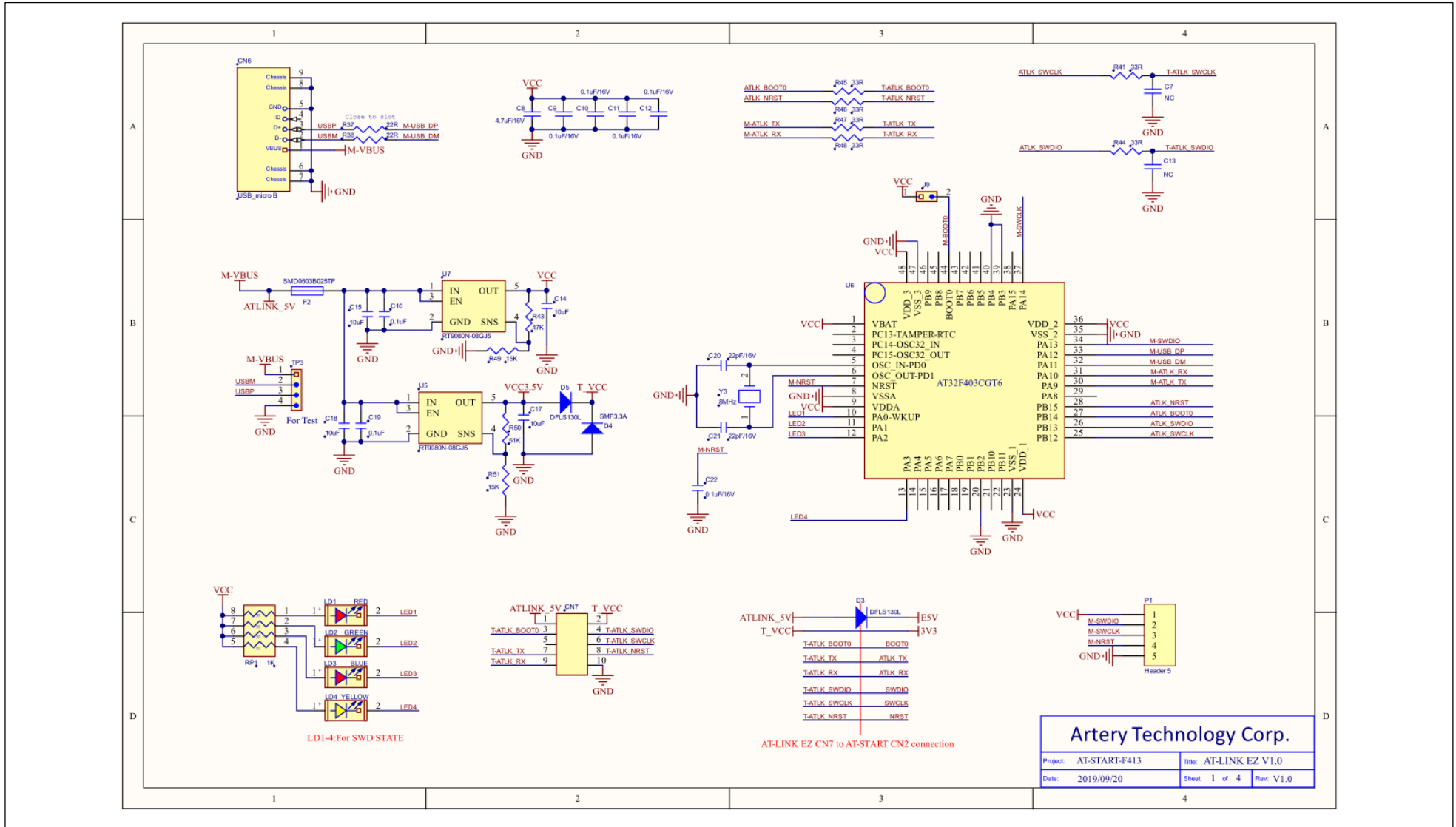


Figure 6. Schematic (microcontroller)

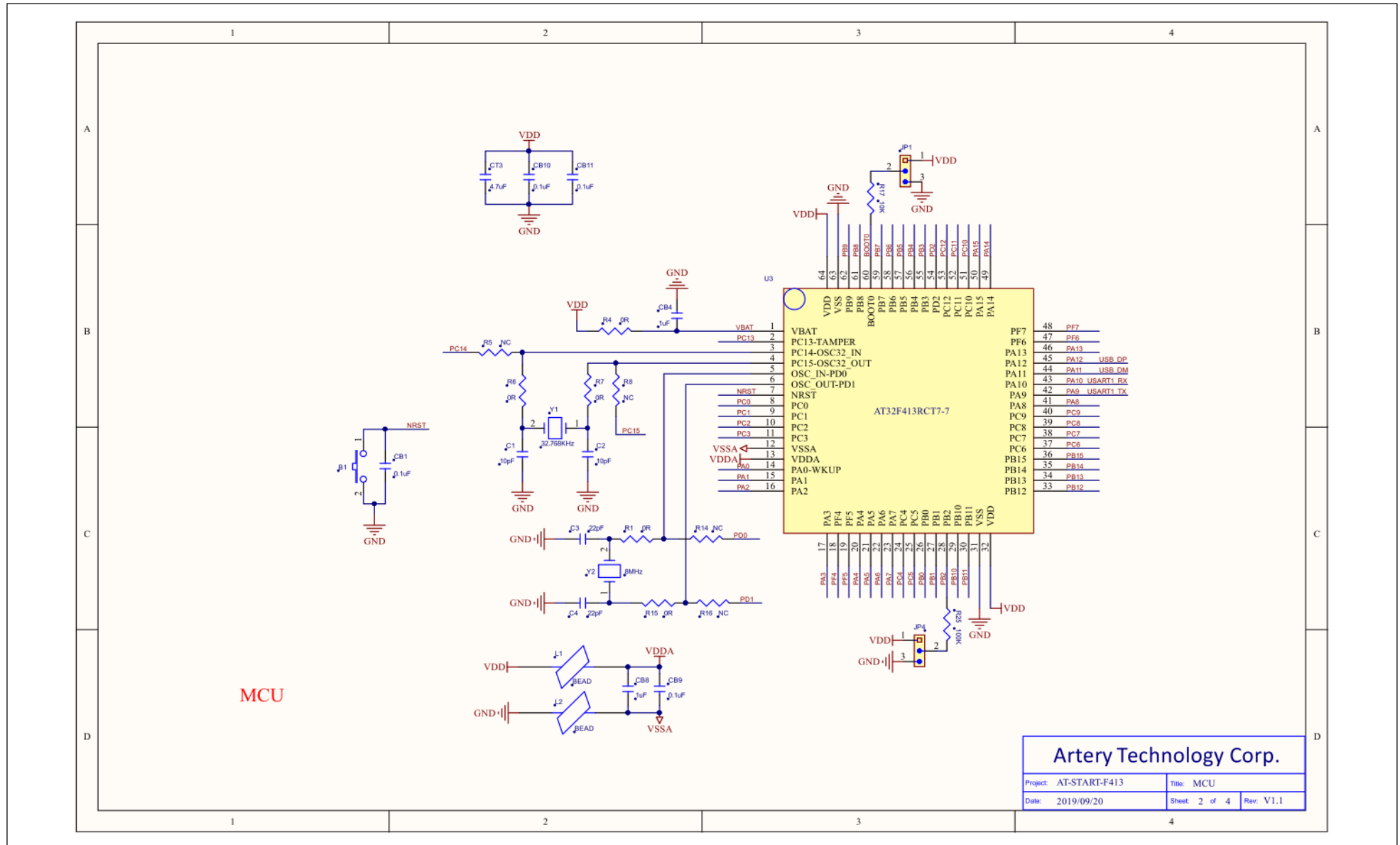
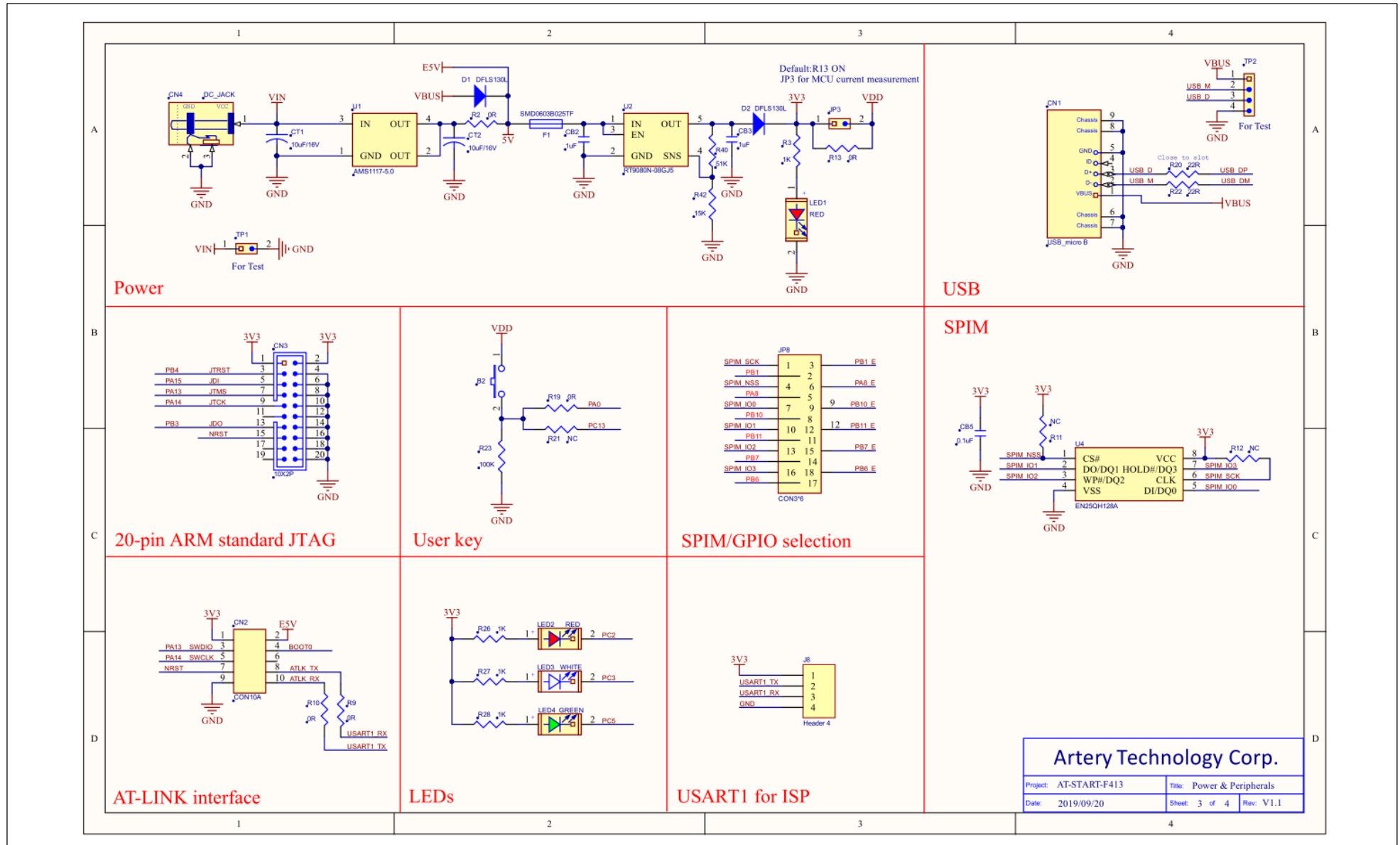
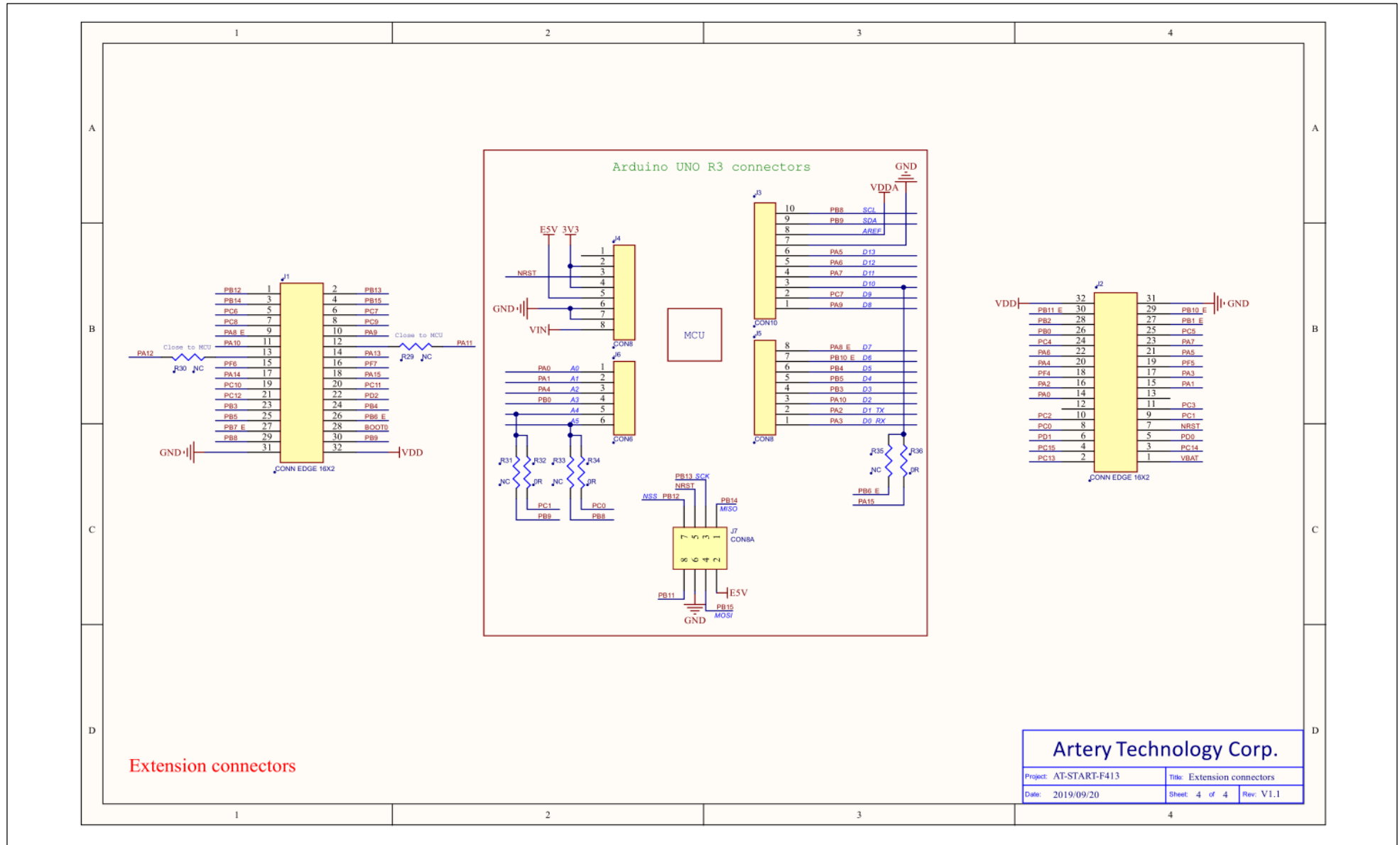


Figure 7. Schematic (power supply and peripherals)



<b>Artery Technology Corp.</b>	
Project: AT-START-F413	Title: Power & Peripherals
Date: 2019/09/20	Sheet: 3 of 4 Rev: V1.1

Figure 8. Schematic (extension connectors)



Artery Technology Corp.		
Project: AT-START-F413	Title: Extension connectors	
Date: 2019/09/20	Sheet: 4 of 4	Rev: V1.1

## 6 Revision history

Table 6. Document revision history

Date	Revision	Changes
2019.2.12	1.0	Initial release
2019.9.20	1.1	<ol style="list-style-type: none"><li>1. Added AT-Link-EZ</li><li>2. Corrected the silkscreen of CN2 USART1_TX and USART1_RX</li><li>3. Modified 0Ω resistor to be solder bridge</li><li>4. Modified CB8 to be 1μF</li><li>5. Modified voltage regulator (U2) and related external devices</li></ol>

### IMPORTANT NOTICE – PLEASE READ CAREFULLY

Purchasers understand and agree that purchasers are solely responsible for the selection and use of Artery's products and services.

Artery's products and services are provided "AS IS" and Artery provides no warranties express, implied or statutory, including, without limitation, any implied warranties of merchantability, satisfactory quality, non-infringement, or fitness for a particular purpose with respect to the Artery's products and services.

Notwithstanding anything to the contrary, purchasers acquires no right, title or interest in any Artery's products and services or any intellectual property rights embodied therein. In no event shall Artery's products and services provided be construed as (a) granting purchasers, expressly or by implication, estoppel or otherwise, a license to use third party's products and services; or (b) licensing the third parties' intellectual property rights; or (c) warranting the third party's products and services and its intellectual property rights.

Purchasers hereby agrees that Artery's products are not authorized for use as, and purchasers shall not integrate, promote, sell or otherwise transfer any Artery's product to any customer or end user for use as critical components in (a) any medical, life saving or life support device or system, or (b) any safety device or system in any automotive application and mechanism (including but not limited to automotive brake or airbag systems), or (c) any nuclear facilities, or (d) any air traffic control device, application or system, or (e) any weapons device, application or system, or (f) any other device, application or system where it is reasonably foreseeable that failure of the Artery's products as used in such device, application or system would lead to death, bodily injury or catastrophic property damage.

© 2020 ARTERY Technology Corporation – All rights reserved