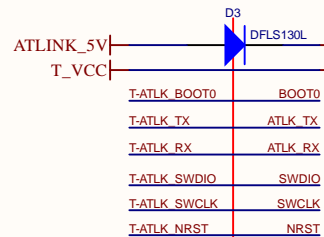
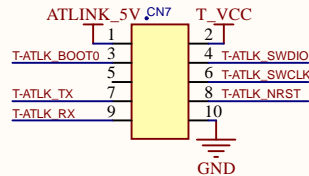
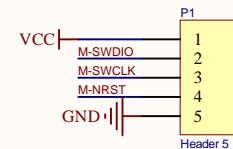


LD1-4:For SWD STATE

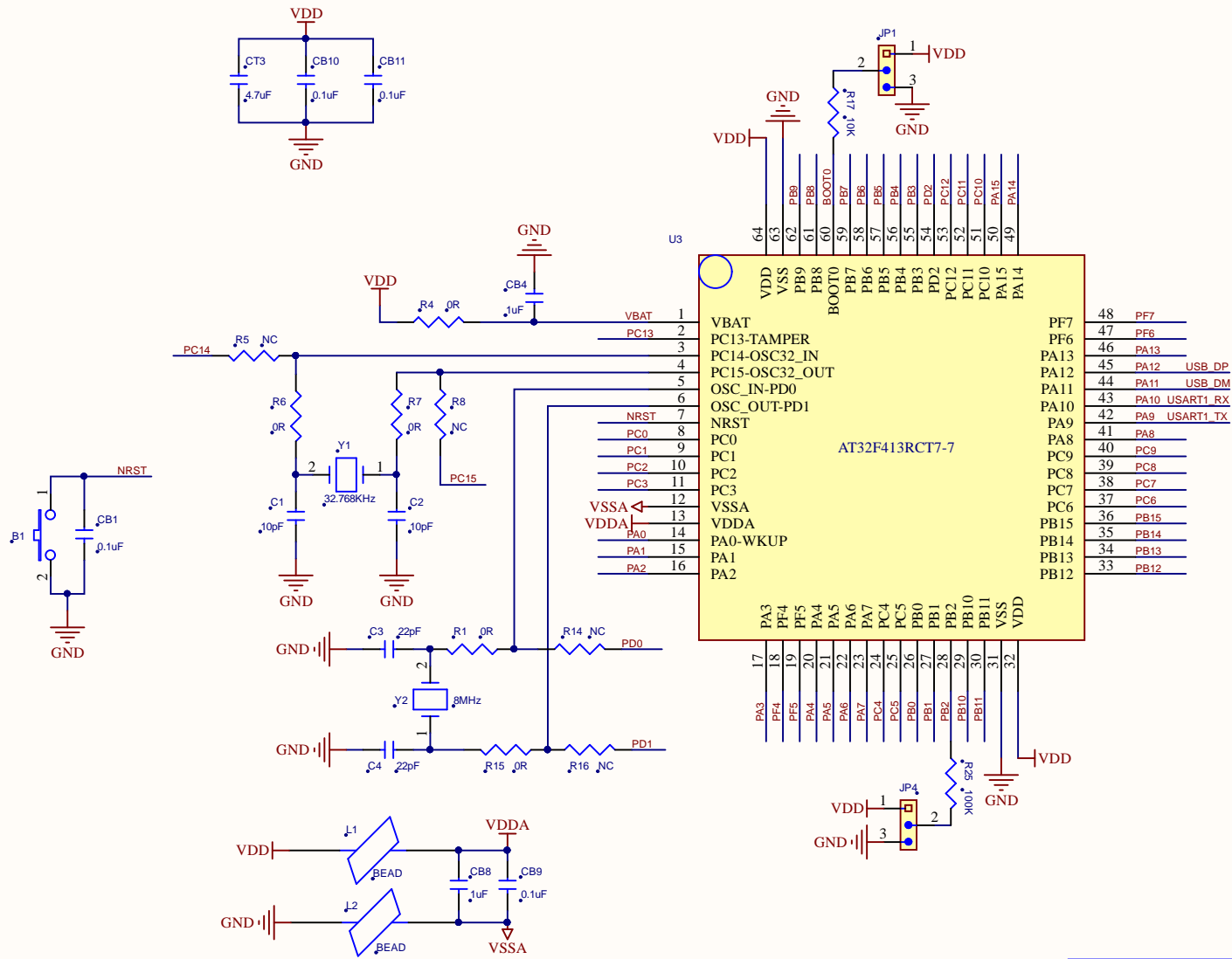


AT-LINK EZ CN7 to AT-START CN2 connection



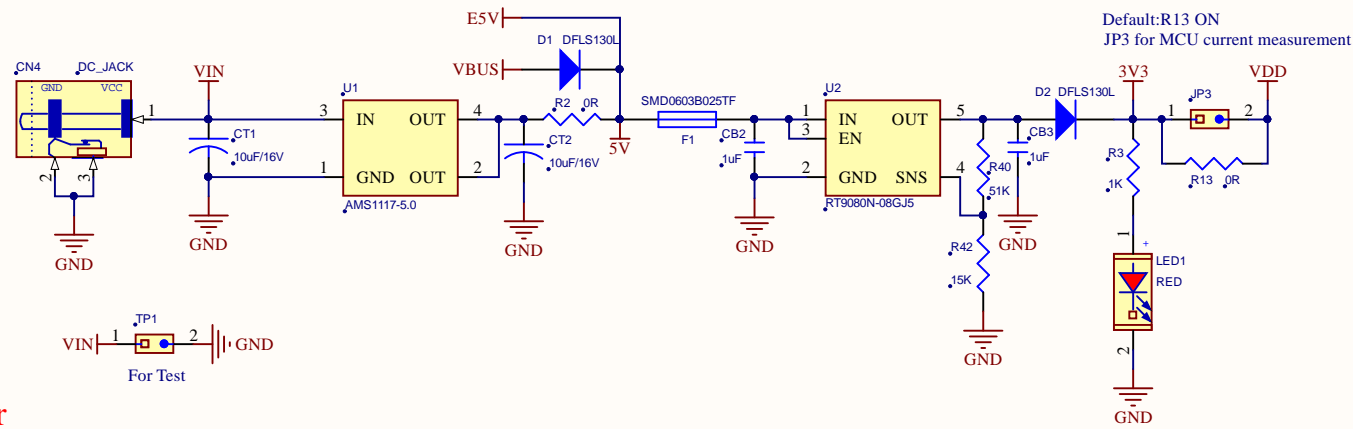
Artery Technology Corp.

Project: AT-START-F413	Title: AT-LINK EZ V1.0
Date: 2019/09/20	Sheet: 1 of 4 Rev: V1.0

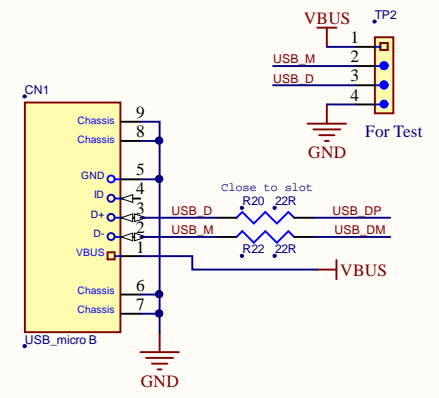


MCU

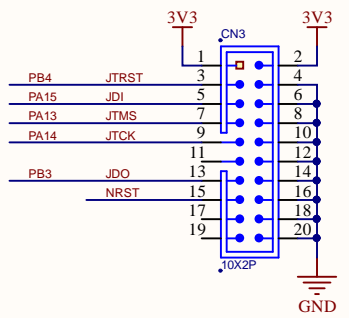
<b>Artery Technology Corp.</b>	
Project: AT-START-F413	Title: MCU
Date: 2019/09/20	Sheet: 2 of 4 Rev: V1.1



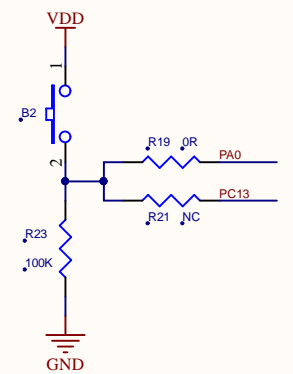
Power



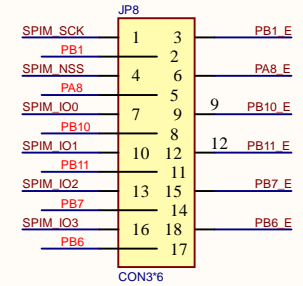
USB



20-pin ARM standard JTAG

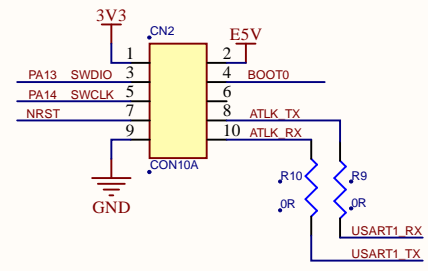
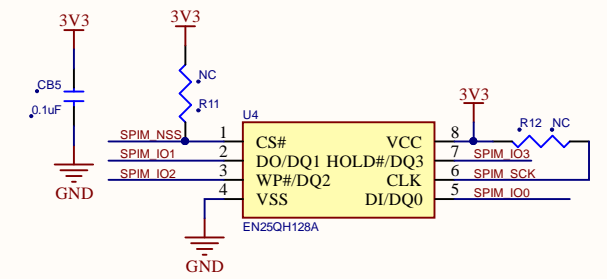


User key

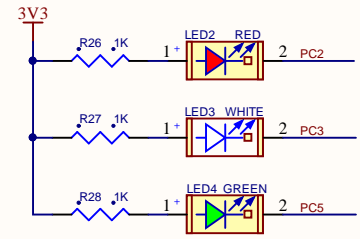


SPIM/GPIO selection

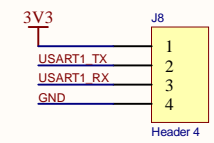
SPIM



AT-LINK interface



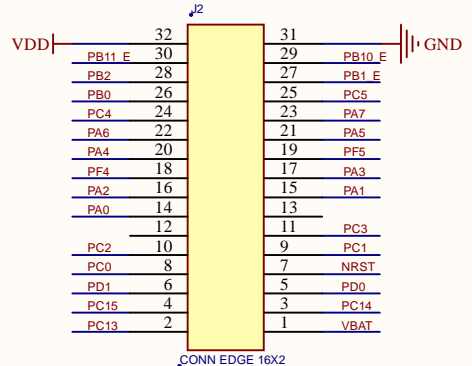
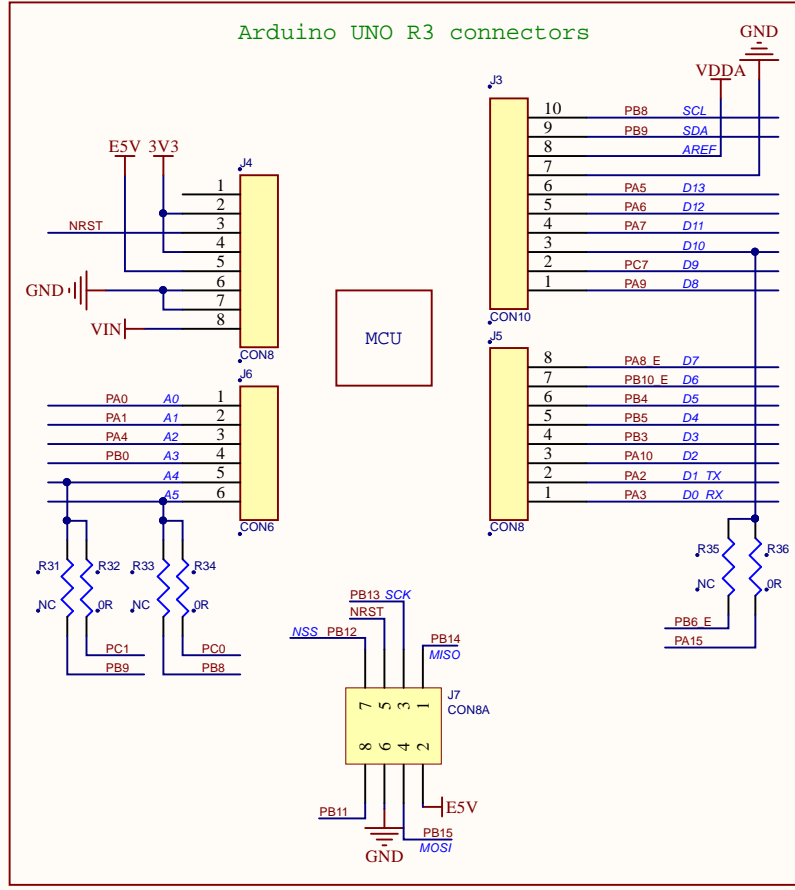
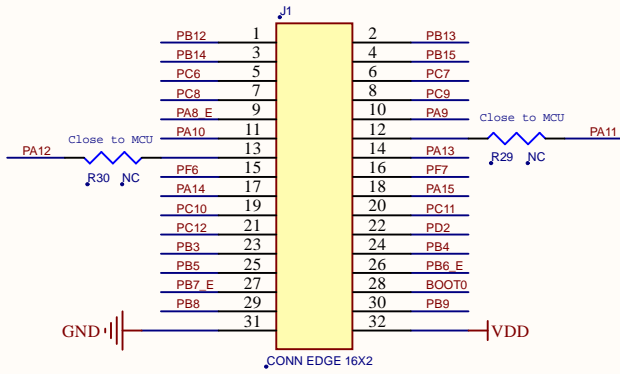
LEDs



USART1 for ISP

**Artery Technology Corp.**

Project: AT-START-F413	Title: Power & Peripherals	
Date: 2019/09/20	Sheet: 3 of 4	Rev: V1.1



## Extension connectors

<b>Artery Technology Corp.</b>	
Project: AT-START-F413	Title: Extension connectors
Date: 2019/09/20	Sheet: 4 of 4 Rev: V1.1