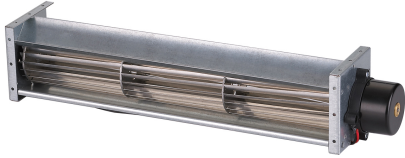


DFQ

43-3P

Ø43mm(Ø1.69")



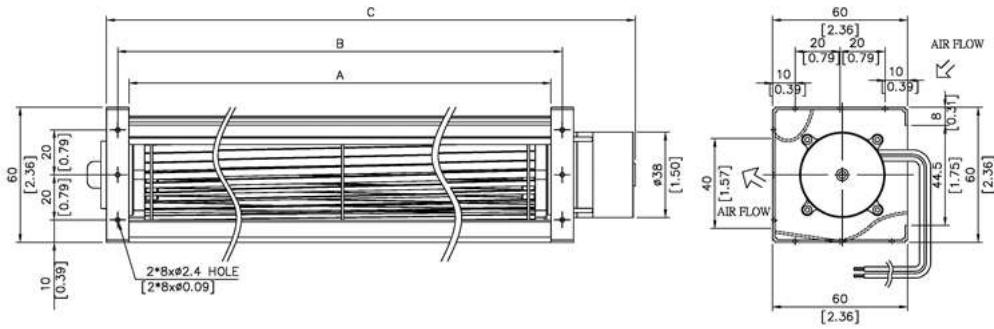
HOUSING	Metal/Aluminum
IMPELLER	Aluminum, Ø30mm
BEARING	Ball
OPERATING TEMPERATURE	0°C to + 45°C
DIELECTRIC STRENGTH	5mA Max. at 500 VAC for 1 minute
INSULATION RESISTANCE	10M Ω min. @500 VDC
MOTOR TYPE	DC Brushless Motor
ROHS COMPLIANCE	Yes
IP LEVEL	Special IP Rating On Request

43 mm

SPECIFICATION

MODEL NO.	RATED VOLTAGE(V)	RATED CURRENT(A)	INPUT POWER(W)	SPEED (RPM)	MAX. AIR PRESSURE		MAX. AIR FLOW		NOISE dB(A) @1M
					inchH2O	mmH2O	CFM	m3/min	
DFQ43252V24HB-3P	24	0.23	5.52	2900	0.051	1.3	74.20	2.1	36
DFQ43292V24HB-3P	24	0.23	5.52	2900	0.047	1.2	81.27	2.3	38

DIMENSION



MODEL NO.	DIMENSION(mm)			WEIGHT (g)
	A	B	C	
DFQ43252-3P	252	260	306	340
DFQ43292-3P	292	300	346	370

UNIT: mm[inch]

SYMBANG

AIR PERFORMANCE

