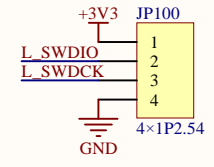
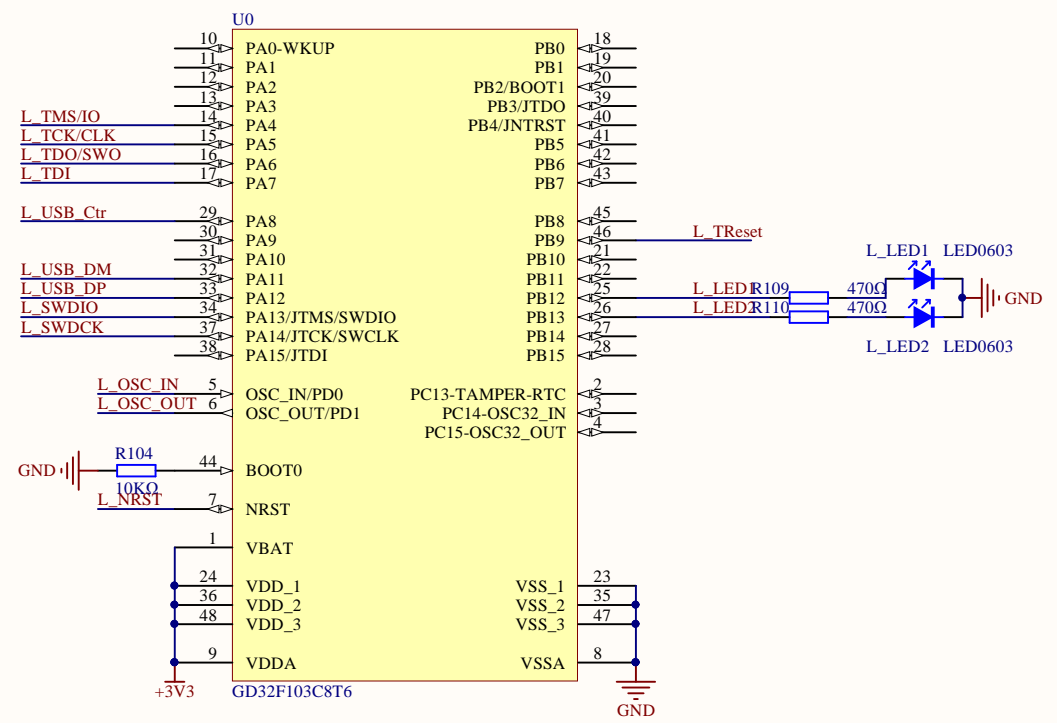
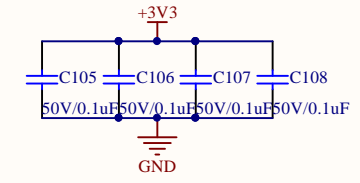
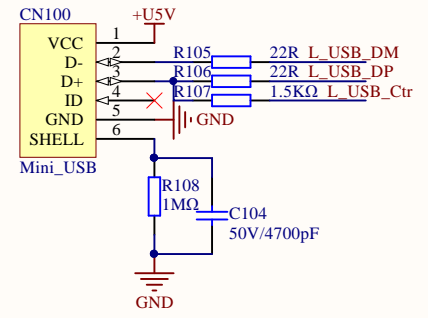
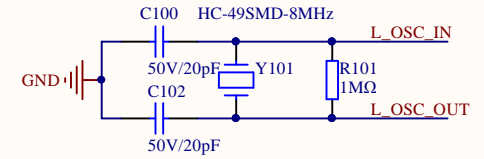
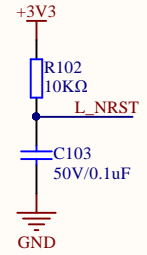


### MCU SWD



### Reset



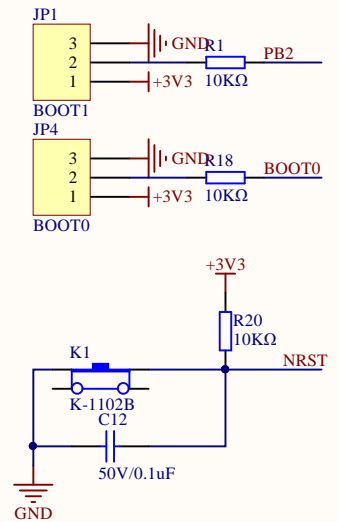
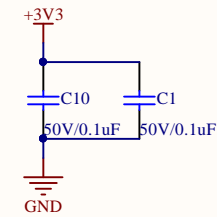
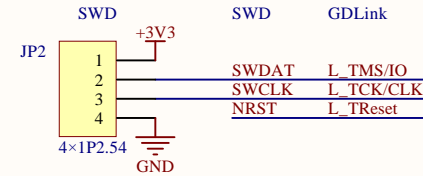
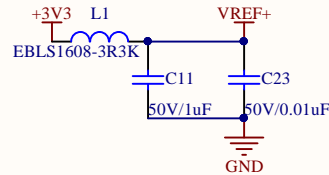
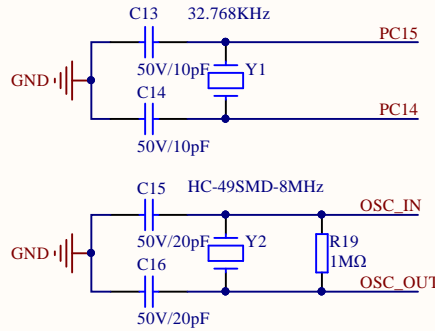
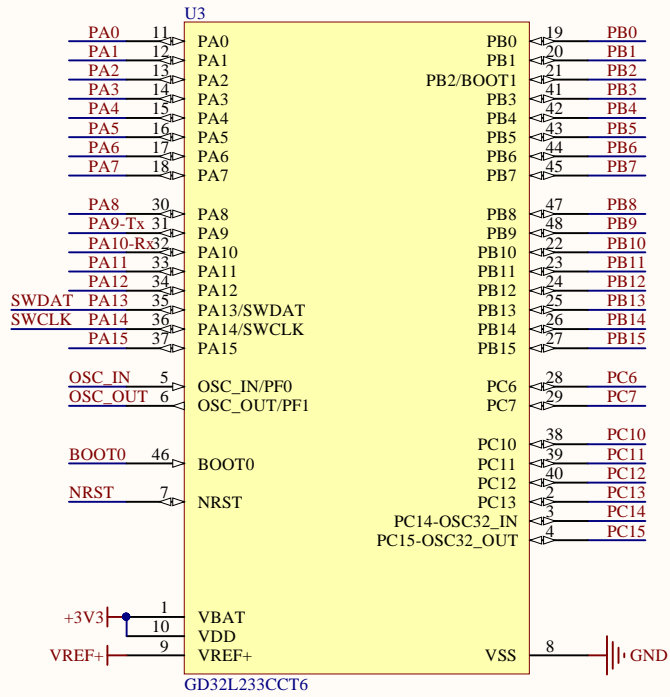
Company Name: GigaDevice

File Name: GDLink

Revision: 1.0

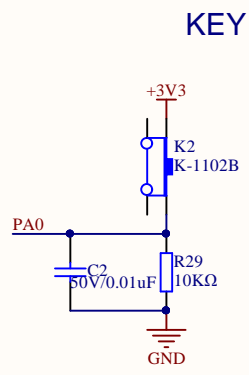
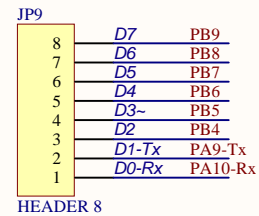
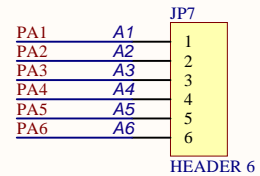
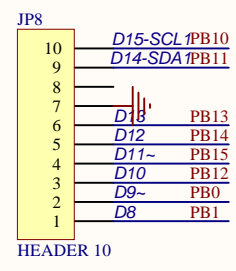
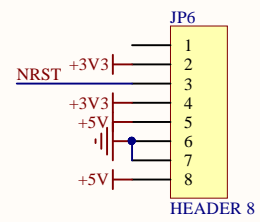
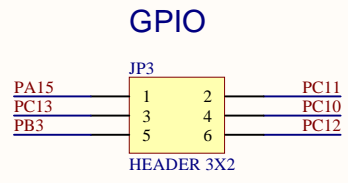
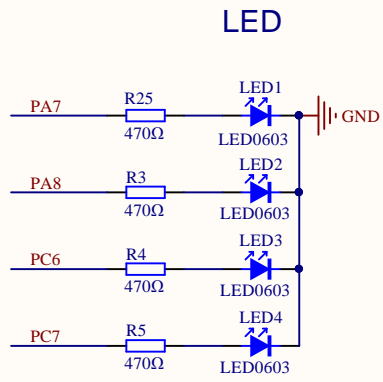
Data: 2021-10

Author: XuFei

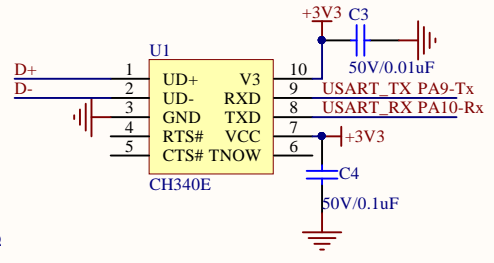
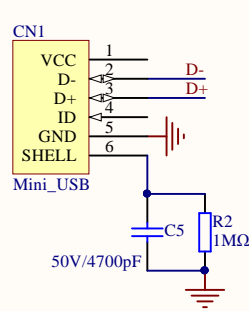


Company Name: GigaDevice		
File Name: MCU		
Revision: 1.0	Data: 2021-10	Author: Xufei

### Arduino



### USART To USB



Company Name: GigaDevice		
File Name: Peripherals		
Revision: 1.0	Data: 2021-10	Author: Xufei

1

2

3

4

A

A

B

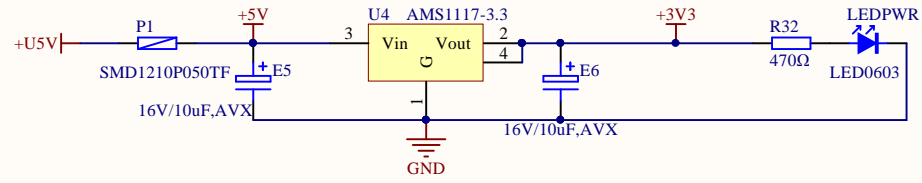
B

C

C

D

D



Company Name: GigaDevice

File Name: Power

Revision: 1.0

Data: 2021-10

Author: Xufei

1

2

3

4

1

2

3

4

A

A

B

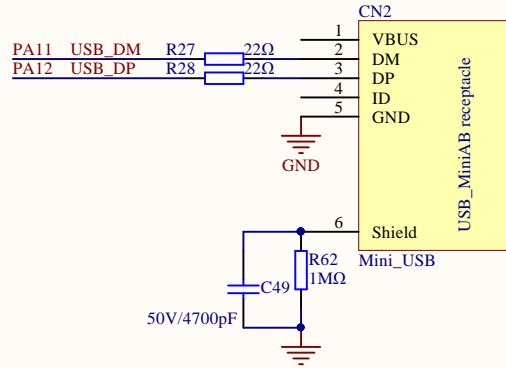
B

C

C

D

D



Company Name: GigaDevice

File Name: USB

Revision: 1.0

Data: 2021-10

Author: Xufei

1

2

3

4

**GD32** GD32L233C-START  
GD32MCU.com 2021-10 V1.0

