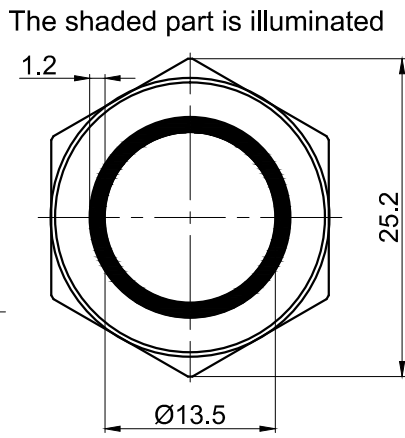
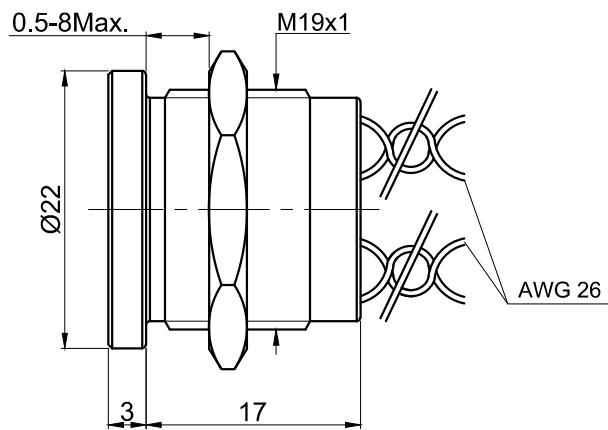


FOR 客户名称	APPROVED 客户确认签字	ATTN 销售负责人

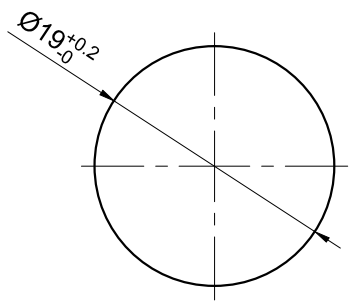


Part Number: PS193P10Y ◆ 1 △ ▲

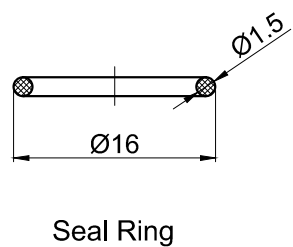
"◆"	Colour/Materials	"△"	Lamp Color
NT	Natural anodized (Al alloy)	R	Red
BU	Blue anodized (Al alloy)	G	Green
BK	Black anodized (Al alloy)	Y	Yellow
GD	Gold anodized (Al alloy)	B	Blue
RD	Red anodized (Al alloy)	W	White
SS	Stainless steel		
GN	Green anodized (Al alloy)		

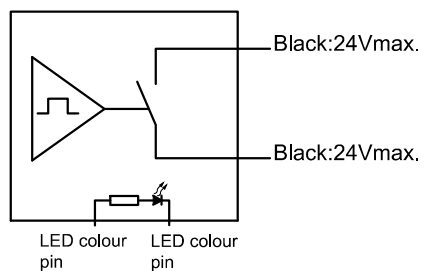
"▲"	LED Volvate
05T	DC 5V
12T	DC 12V
24T	DC 24V



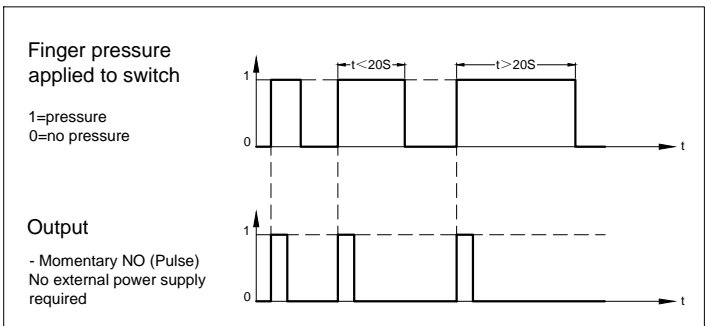
PANEL CUTOUT  
MAX.PANEL THICKNESS  
8 mm



Seal Ring



Wiring Diagram



**SPECIFICATIONS:**

- 1.Switch Operation: Momentary NO (Pulse).
- 2.Max.Switch Rating: 200mA 24VAC/DC.
- 3.Operation Life: 50 Million cycles.
- 4.Wiring: Length 300mm.
- 5.IP Class: IP68.
- 6.Operating Temperature: -40°C ~ +75°C.
- 7.Operating Force: About 5~10N.

**MATERIALS:**

- 1.Body:Al Alloy/Stainless steel .

BRAND 品牌	<b>ONPOW</b>	<b>红波按钮制造有限公司</b> ONPOW PUSH BUTTON MANUFACTURE CO.,LTD.			
THESE DRAWINGS AND SPECIFICATIONS ARE THE PROPERTY OF ONPOW PUSH BUTTON MANUFACTURE CO.,LTD. AND SHALL NOT BE REPRODUCED COPIED OR USED IN ANY MANNER WITHOUT THE PRIOR WRITTEN CONSENT OF ONPOW PUSH BUTTON MANUFACTURE CO.,LTD.		USED 用途	APPD 审核	CH	2020/05/11
		FINISH 处理	CHKD 校对	NCH	2020/05/11
		SCALE 比例	UNIT 单位	DR. 制图	ZPD 2020/05/11
		TITLE 名称			⊕
		Piezo electric Switch			▷
		DWG NO. 图号			SIZE 图纸
		PS193P10Y 自复T带灯			A4
		FILE NAME 档案名称	SHEET 张	1 / 1	REV. 更改
		PS193.DWG	1	1	1