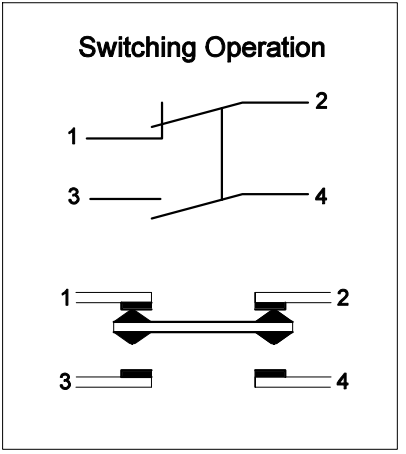
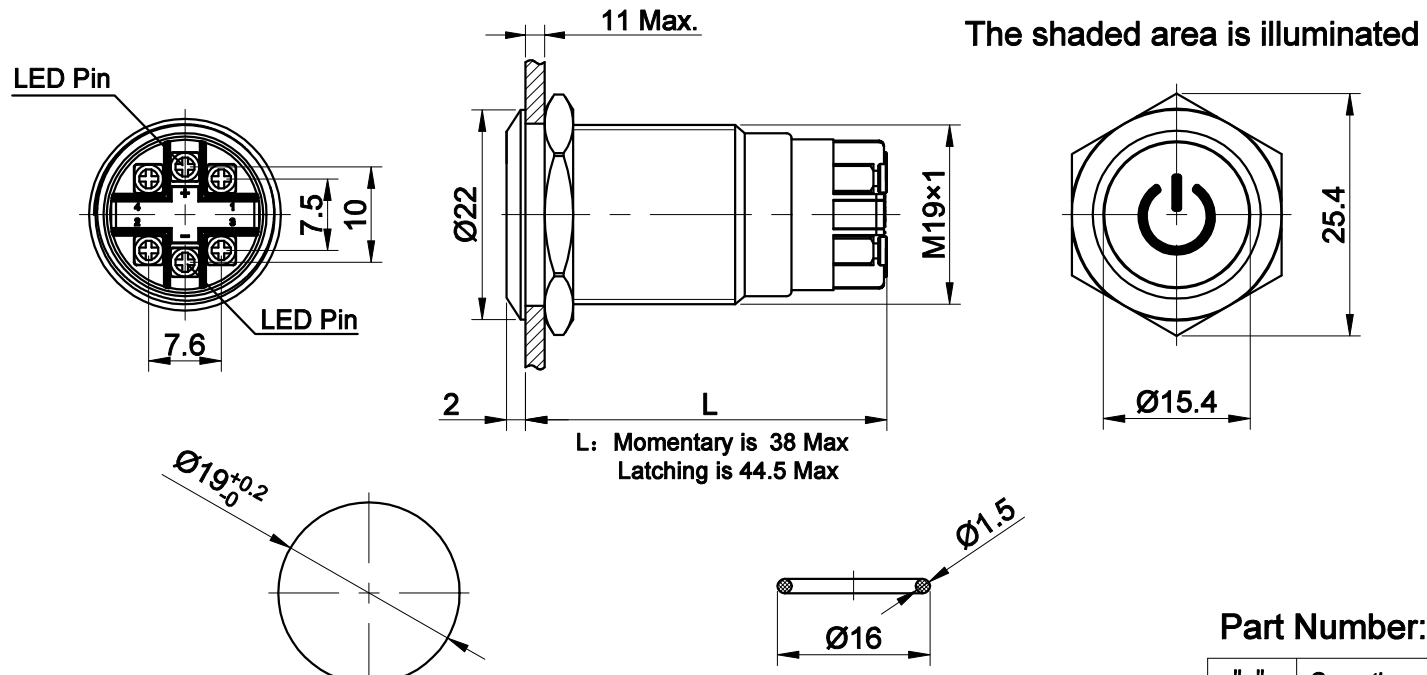


FOR 客户名称	APPROVED 客户确认签字	ATTN 销售负责人



PANEL CUTOUT  
MAX.PANEL THICKNESS  
11 mm

Seal Ring

Part Number: LAS1GQ-11 ■DT/L/△/▲/S

"■"	Operation mode	"△"	Lamp Color	"▲"	Lamp voltage
No Letter	Momentary	R	Red	6V	AC/DC 6V
Z	Latching	G	Green	12V	AC/DC 12V
		Y	Yellow	24V	AC/DC 24V
		B	Blue	110V	AC/DC 110V
		W	White	220V	AC/DC 220V
				Other voltage can be made to order	

**SPECIFICATIONS:**

- 1.Switch Rating: AC220V/2A, DC220V/0.1A.
- 2.Mechanical Life: ≥1,000,000cycles.
- 3.Electrical Life: ≥50,000cycles.
- 4.Contact Resistance: ≤50mΩ.
- 5.Insulation Resistance: ≥1,000MΩ.
- 6.Dielectric Strength: 1,500V, RMS 50Hz, 1min.
- 7.Operating Temperature: -25°C~ +55°C(No Freezing).
- 8.Operating Force: About 4N(IP65), About 5N(IP67).
- 9.Operating Travel: About 2.5mm.
- 10.Torque: About 0.8Nm max.applied to nut.
- 11.IP Class: IP65, IP67(Momentary can made to order).
- 12.Terminal Type: Screw Terminal.

**MATERIALS:**

- 1.Contact: Silver alloy.
- 2.Button: Stainless steel.
- 3.Body: Stainless steel.
- 4.Base: PA/PC.

★Relative position of power symbol and terminal is not fixed.

BRAND 品牌 <b>ONPOW</b> THESE DRAWINGS AND SPECIFICATIONS ARE THE PROPERTY OF ONPOW PUSH BUTTON MANUFACTURE CO.,LTD. AND SHALL NOT BE REPRODUCED COPIED OR USED IN ANY MANNER WITHOUT THE PRIOR WRITTEN CONSENT OF ONPOW PUSH BUTTON MANUFACTURE CO.,LTD.	USED 用途	APPD 审核	CH	2019/07/06	
	FINISH 处理	CHKD 校对	NCH	2019/07/06	
	SCALE 比例	UNIT 单位	DR. 制图	ZPD	2019/07/06
	TITLE 名称		Anti-vandal push button		
DIMENSIONS		TOLERANCE		DWG NO. 图号 <b>LAS1GQ-11DT-L(2018)</b> FILE NAME 档案名称 LAS1GQ-11DT-L.DWG SHEET 张 1 / 1 REV. 更改 1	
0.00 TO 18.00mm		±0.43mm			
18.01 TO 30.00mm		±0.52mm			
30.01 TO 50.00mm		±0.62mm			
50.01 TO 80.00mm		±0.74mm		SIZE 图纸 <b>A4</b>	