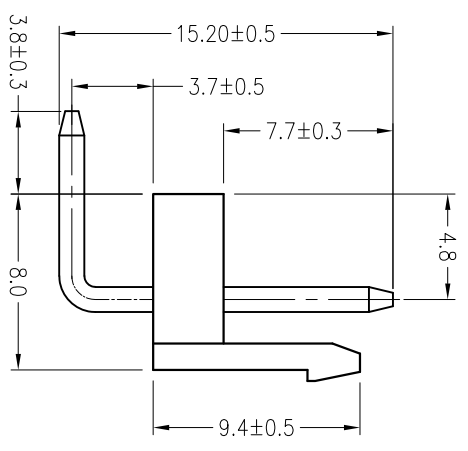
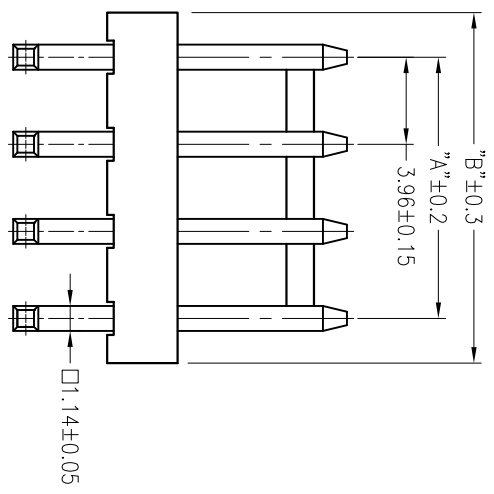
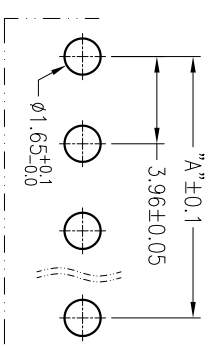
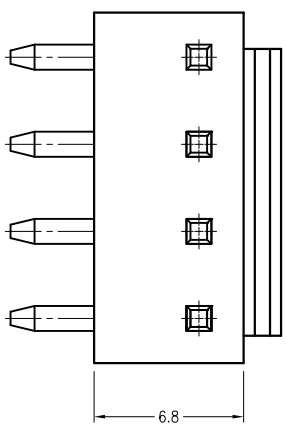


Poles	DIM.A	DIM.B
2A	3.96	7.86
3A	7.92	11.82
4A	11.88	15.78
5A	15.84	19.74
6A	19.80	23.70
7A	23.76	27.66
8A	27.72	31.62
9A	31.68	35.58
10A	35.64	39.54
11A	39.60	43.50
12A	43.56	47.46



■ 技术参数 SPECIFICATIONS

- ◆ 适用线规: AWG#16~#22
 - ◆ Applicable Wire: AWG#16~#22
 - ◆ 额定电压: 250V DC/AC(rms)
 - ◆ Rated voltage: 250V DC/AC(rms)
 - ◆ 额定电流: 7A(AWG#18)
 - ◆ Rated Current: 7A(AWG#18)
 - ◆ 耐压值: 1500V AC/minute
 - ◆ Withstand voltage: 1500V AC/min.
 - ◆ 工作温度: -25°C ~ +85°C
 - ◆ Working Temp : -25°C ~ +85°C
 - ◆ 绝缘电阻: ≥1000 MΩ
 - ◆ Insulation resistance: ≥1000 MΩ
 - ◆ 接触电阻: ≤10 mΩ
 - ◆ Contact resistance: ≤10 mΩ
- 材料 MATERIAL
- ◆ 绝缘体: 尼龙66, UL94-V0
 - ◆ Insulator: Nylon66, UL94-V0
 - ◆ 接触针: 黄铜
 - ◆ Contact PIN: Brass

JINDA
Dongguan Jinda Electronics Co., Ltd
东莞市津达电子有限公司

GENERAL TOLERANCE		SCALE:	DRAWN:	DATE:	DOC. NO:	TITLE:	REV.
XX: ±0.40		3:1	柴艳妮	2015.01.29	JD-Y-E177	工程图	A
X: ±0.30		UNIT:	于 腾	DATE: 2015.01.29	PARTS NO:		SHEET:
X: ±0.25	X: ± 2°	mm	肖志军	DATE: 2015.01.29	VH-NAWG		1/1
XX ±0.15	X: ± 1°	SIZE: A4					