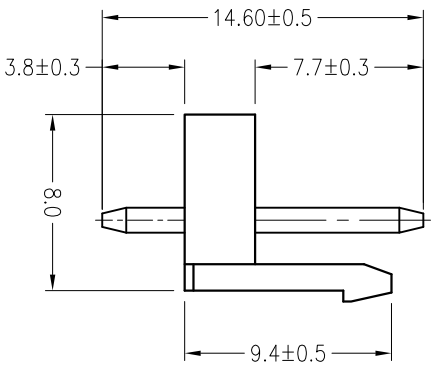
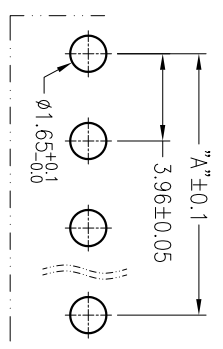
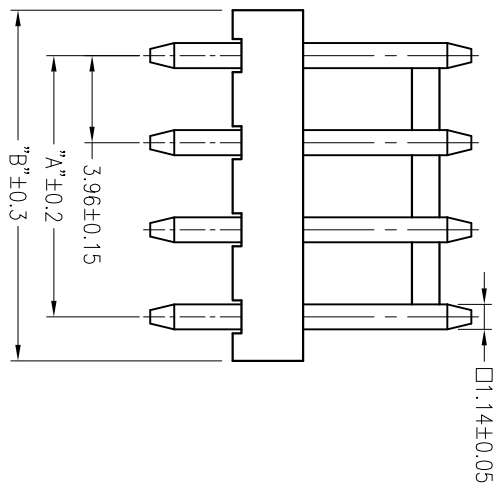
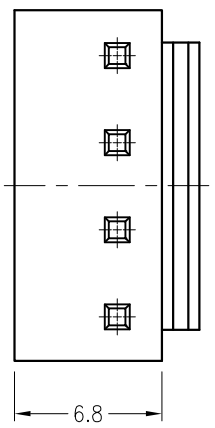


| Poles | DIM.A | DIM.B |
|-------|-------|-------|
| 2A | 3.96 | 7.86 |
| 3A | 7.92 | 11.82 |
| 4A | 11.88 | 15.78 |
| 5A | 15.84 | 19.74 |
| 6A | 19.80 | 23.70 |
| 7A | 23.76 | 27.66 |
| 8A | 27.72 | 31.62 |
| 9A | 31.68 | 35.58 |
| 10A | 35.64 | 39.54 |
| 11A | 39.60 | 43.50 |
| 12A | 43.56 | 47.46 |



■ 技术参数 SPECIFICATIONS

- ◆ 适用线规: AWG#16~#22
- ◆ Applicable Wire: AWG#16~#22
- ◆ 额定电压: 250V DC/AC(rms)
- ◆ Rated voltage: 250V DC/AC(rms)
- ◆ 额定电流: 7A(AWG#18)
- ◆ Rated Current: 7A(AWG#18)
- ◆ 耐压值: 1500V AC/minute
- ◆ Withstand voltage: 1500V AC/min.
- ◆ 工作温度: -25°C ~ +85°C
- ◆ Working Temp : -25°C ~ +85°C
- ◆ 绝缘电阻: ≥1000 MΩ
- ◆ Insulation resistance: ≥1000 MΩ
- ◆ 接触电阻: ≤10 mΩ
- ◆ Contact resistance: ≤10 mΩ

■ 材料 MATERIAL

- ◆ 绝缘体: 尼龙66, UL94-V0
- ◆ Insulator: Nylon66, UL94-V0
- ◆ 接触针: 黄铜
- ◆ Contact PIN: Brass



JIMD
Dongguan Jimda Electronics Co., Ltd
东莞市津达电子有限公司

| GENERAL TOLERANCE | |
|-------------------|----------|
| XX: ±0.40 | |
| X: ±0.30 | |
| .X: ±0.25 | X° ± 2° |
| .XX: ±0.15 | .X° ± 1° |

| SCALE: | 3:1 |
|--------|-----|
| UNIT: | mm |
| SIZE: | A4 |

| DRAWN: | 柴艳妮 |
|----------|-----|
| CHECK: | 于 腾 |
| APPROVE: | 肖志军 |

| DATE: | 2017.2.27 |
|-------|-----------|
| DATE: | 2017.2.27 |
| DATE: | 2017.2.27 |

| DOC. NO: | E:DWG\Production\VH |
|-----------|---------------------|
| PARTS NO: | VH-NA |

| TITLE: | 工程图 |
|--------|-----|
| REV.: | A |
| SHEET: | 1/1 |