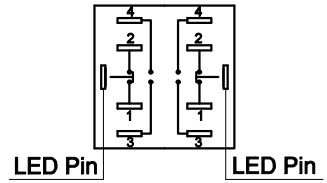
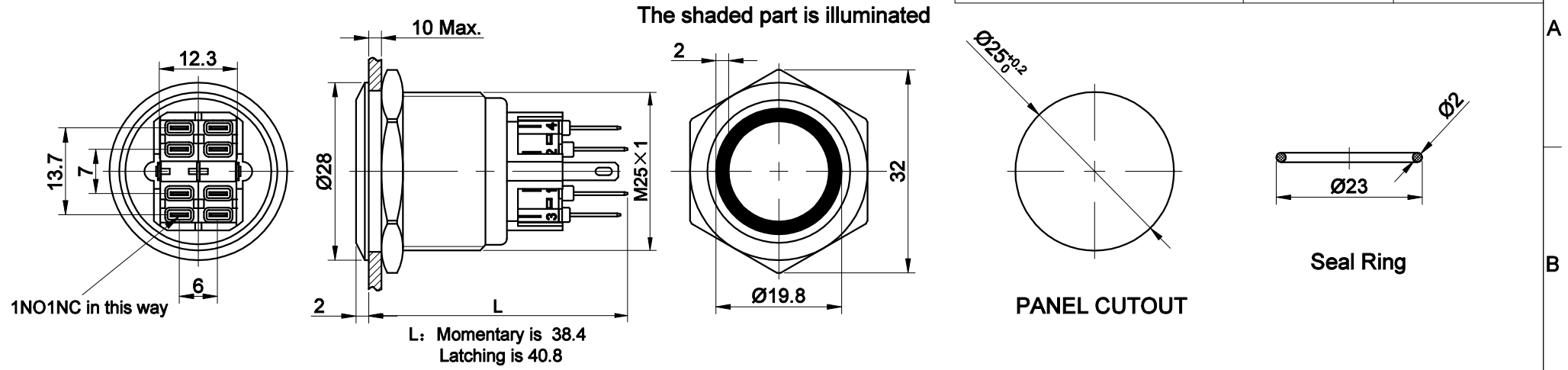


FOR 客户名称	APPROVED 客户确认签字	ATTN 销售负责人



**Contact Composition**  
1、2、3、4 are one set.  
1,2 are normal closed(NC);  
3,4 are normal opened(NO).

"□"	Contact structure
11	1NO1NC
22	2NO2NC

"■"	Operation mode
No Letter	Momentary
Z	Latching

"△"	Lamp Color
R	Red
G	Green
Y	Yellow
B	Blue
W	White

"▲"	Lamp Voltage
6V	AC/DC 6V
12V	AC/DC 12V
24V	AC/DC 24V
110V	AC/DC 110V
220V	AC/DC 220V

Other voltage can be made to order

"◎"	Crust material
S	Stainless steel
A	Al alloy(black)

Part Number: GQ25-□■E/△/▲/◎

**SPECIFICATIONS:**

1. Switch Rating: AC220V/2A, DC220V/0.1A.
2. Mechanical Life: ≥1,000,000cycles.
3. Electrical Life: ≥50,000cycles.
4. Contact Resistance: ≤50mΩ.
5. Insulation Resistance: ≥1,000MΩ.
6. Dielectric Strength: 1,500V, RMS 50Hz, 1min.
7. Operating Temperature: -25°C ~ +55°C (No Freezing).
8. Operating Force: About 5N(1NO1NC)/About 7.5N(2NO2NC).
9. Operating Travel: About 2.5mm.
10. Torque: About 0.6Nm max. applied to nut.
11. Protection degree: IP65, IP67 (Momentary can made to order); IK10.
12. Terminal Type: Pin Terminal (2.8 x 0.5mm).

**MATERIALS:**

1. Contact: Silver alloy.
2. Button: ◎.
3. Body: ◎.
4. Base: PA.

<b>BRAND</b> 品牌 <b>ONPOW</b> 欧宝龙	<b>红波按钮制造有限公司</b> ONPOW PUSH BUTTON MANUFACTURE CO.,LTD.																											
THESE DRAWINGS AND SPECIFICATIONS ARE THE PROPERTY OF ONPOW PUSH BUTTON MANUFACTURE CO.,LTD. AND SHALL NOT BE REPRODUCED COPIED OR USED IN ANY MANNER WITHOUT THE PRIOR WRITTEN CONSENT OF ONPOW PUSH BUTTON MANUFACTURE CO.,LTD.	USED 用途 APPD 审核 CH 2020/03/04 FINISH 处理 CHKD 校对 NCH 2020/03/04 SCALE 比例 1.1 / 1 UNIT 单位 mm DR. 制图 ZPD 2020/03/04																											
<table border="1"> <thead> <tr> <th>DIMENSIONS</th> <th>TOLERANCE</th> </tr> </thead> <tbody> <tr><td>0.00 TO 3.00mm</td><td>±0.25mm</td></tr> <tr><td>3.01 TO 6.00mm</td><td>±0.30mm</td></tr> <tr><td>6.01 TO 10.00mm</td><td>±0.38mm</td></tr> <tr><td>10.01 TO 18.00mm</td><td>±0.43mm</td></tr> <tr><td>18.01 TO 30.00mm</td><td>±0.52mm</td></tr> <tr><td>30.01 TO 50.00mm</td><td>±0.62mm</td></tr> <tr><td>50.01 TO 80.00mm</td><td>±0.74mm</td></tr> </tbody> </table>	DIMENSIONS	TOLERANCE	0.00 TO 3.00mm	±0.25mm	3.01 TO 6.00mm	±0.30mm	6.01 TO 10.00mm	±0.38mm	10.01 TO 18.00mm	±0.43mm	18.01 TO 30.00mm	±0.52mm	30.01 TO 50.00mm	±0.62mm	50.01 TO 80.00mm	±0.74mm	<table border="1"> <tr> <td>TITLE 名称</td> <td>GQ Series Anti-vandal push button</td> <td rowspan="2"> </td> </tr> <tr> <td>DWG NO. 图号</td> <td>GQ25-E</td> </tr> <tr> <td>FILE NAME 档案名称</td> <td>GQ25-E.DWG</td> <td>SHEET 张</td> </tr> <tr> <td>Government standard: GB/T 1900.1-2009; Grade of tolerance: IT14.</td> <td></td> <td>1 /</td> </tr> </table>	TITLE 名称	GQ Series Anti-vandal push button		DWG NO. 图号	GQ25-E	FILE NAME 档案名称	GQ25-E.DWG	SHEET 张	Government standard: GB/T 1900.1-2009; Grade of tolerance: IT14.		1 /
DIMENSIONS	TOLERANCE																											
0.00 TO 3.00mm	±0.25mm																											
3.01 TO 6.00mm	±0.30mm																											
6.01 TO 10.00mm	±0.38mm																											
10.01 TO 18.00mm	±0.43mm																											
18.01 TO 30.00mm	±0.52mm																											
30.01 TO 50.00mm	±0.62mm																											
50.01 TO 80.00mm	±0.74mm																											
TITLE 名称	GQ Series Anti-vandal push button																											
DWG NO. 图号	GQ25-E																											
FILE NAME 档案名称	GQ25-E.DWG	SHEET 张																										
Government standard: GB/T 1900.1-2009; Grade of tolerance: IT14.		1 /																										
		<table border="1"> <tr> <td>SIZE 图纸</td> <td>A4</td> </tr> <tr> <td>REV. 更改</td> <td>1</td> </tr> </table>	SIZE 图纸	A4	REV. 更改	1																						
SIZE 图纸	A4																											
REV. 更改	1																											