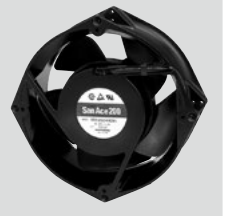


DC Fan

# Ø200x70 mm



**San Ace 200 9EC** type Model 9EC2048J001 is not certified.

## General Specifications

- Material ..... Frame: Aluminum (Black coating), Impeller: Plastic (Flammability: UL 94V-1)
- Expected life ..... See the table below. (L10 life: 90% survival rate for continuous operation in free air at 60°C, rated voltage)  
Expected life at 40°C is for reference only.
- Motor protection function ..... Locked rotor burnout protection, Reverse polarity protection  
For details, please refer to p. 599.
- Dielectric strength ..... 50/60 Hz, 500 VAC, for 1 minute (between lead wire conductors and frame)
- Insulation resistance ..... 10 MΩ or more with a 500 VDC megger (between lead wire conductors and frame)
- Sound pressure level (SPL) ..... At 1 m away from the air inlet
- Storage temperature ..... -30 to +70°C (Non-condensing)
- Lead wire ..... ⊕Red ⊖Black or Blue Sensor Yellow
- Mass ..... 1800 g

Once the fan stops, wait for at least 10 seconds before restarting the fan.

## Specifications

The models listed below **have pulse sensors**.

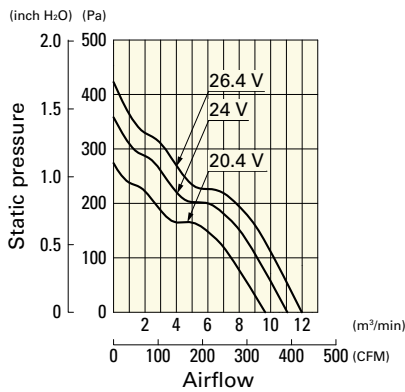
Model no.	Rated voltage [V]	Operating voltage range [V]	Rated current [A]	Rated input [W]	Rated speed [min <sup>-1</sup> ]	Max. airflow [m <sup>3</sup> /min] [CFM]	Max. static pressure [Pa] [inchH <sub>2</sub> O]	SPL [dB (A)]	Operating temperature [°C]	Expected life [h]
<b>9EC2024H001</b>	24	20.4 to 26.4	2.0	48.0	3600	11.0 388	360 1.446	60	-20 to +60	40000/60°C (70000/40°C)
<b>9EC2048J001</b>	48	40.8 to 55.2	4.4	211.2	6100	18.3 646	1000 4.016	75		
<b>9EC2048A001</b>		43.0 to 51.0	2.2	105.6	4800	14.7 519	640 2.57	68		
<b>9EC2048H001</b>		40.8 to 52.8	1.2	57.6	3600	11.0 388	360 1.446	60		

Note: Sensor and control options are available for selection. Refer to the table on p. 626.

## Airflow - Static Pressure Characteristics

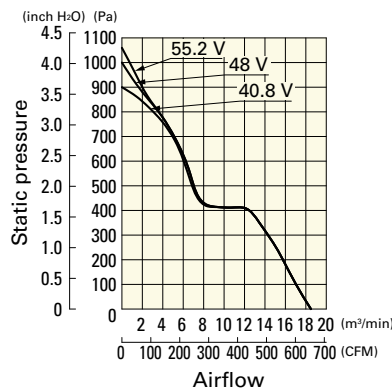
**9EC2024H001** With pulse sensor

Operating voltage range



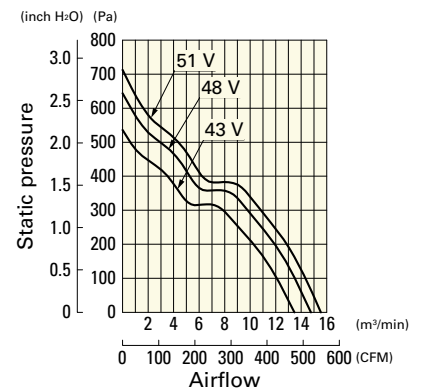
**9EC2048J001** With pulse sensor

Operating voltage range



**9EC2048A001** With pulse sensor

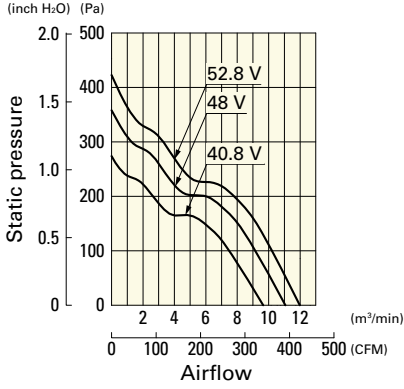
Operating voltage range



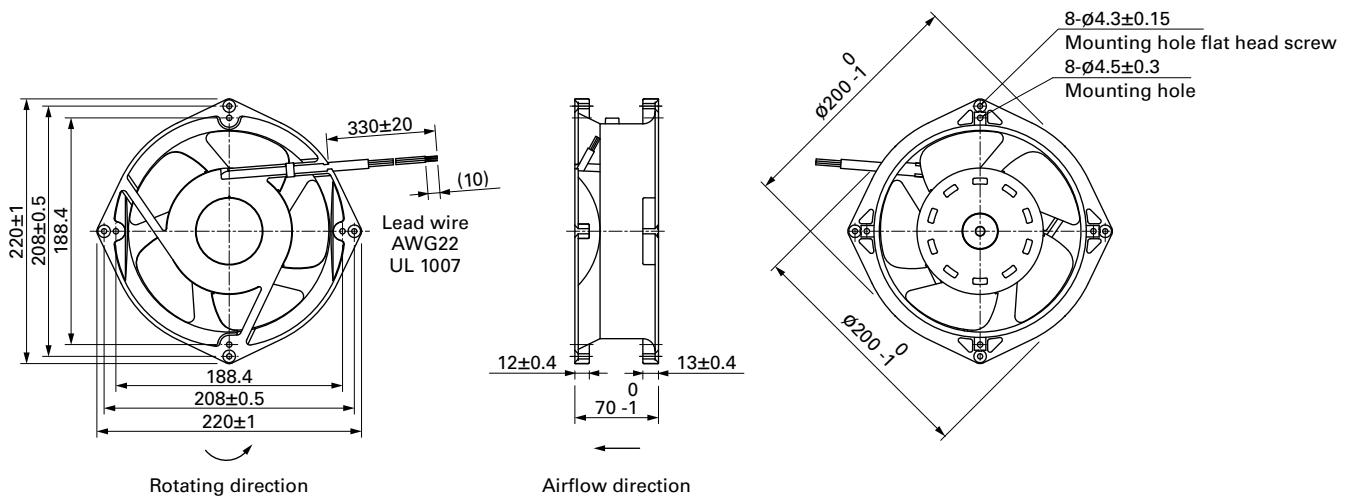
**Airflow - Static Pressure Characteristics**

**9EC2048H001** With pulse sensor

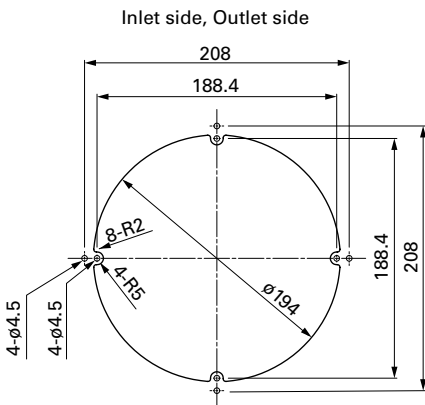
Operating voltage range



**Dimensions (unit: mm)**



**Reference Dimensions of Mounting Holes and Vent Opening (unit: mm)**



**Options**

Finger guards

page: p. 587

Model no.: 109-720, 109-720H, 109-721, 109-721H