

**ebm-papst St. Georgen GmbH & Co. KG**

Hermann-Papst-Str. 1

D-78112 St. Georgen

Phone +49 (0) 7724 81-0

Fax +49 (0) 7724 81-1309

info2@de.ebmpapst.com

www.ebmpapst.com

**Nominal data**

| Type                     | 9900              |      |
|--------------------------|-------------------|------|
| Phase                    |                   | 1~   |
| Nominal voltage          | VAC               | 115  |
| Frequency                | Hz                | 60   |
| Speed (rpm)              | min <sup>-1</sup> | 2850 |
| Power consumption        | W                 | 12.0 |
| Min. ambient temperature | °C                | -20  |
| Max. ambient temperature | °C                | 70   |
| Air flow                 | m <sup>3</sup> /h | 135  |
| Sound power level        | B                 | 5.4  |
| Sound pressure level     | dB(A)             | 42   |

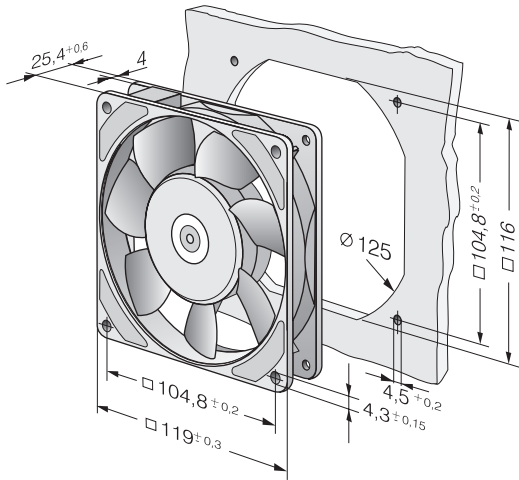
ml = Max. load · me = Max. efficiency · fa = Free air · cs = Customer specification · ce = Customer equipment  
Subject to change



**Technical description**

|  |   |
|--|---|
| <b>Weight</b>                                  | 0.325 kg  |
| <b>Dimensions</b>                              | 119 x 119 x 25 mm                                 |
| <b>Impeller material</b>                       | Mineral-reinforced PA plastic                     |
| <b>Housing material</b>                        | Die-cast aluminum                                 |
| <b>Part no.</b>                                | 9282708015  |
| <b>Airflow direction</b>                       | Exhaust over struts                               |
| <b>Direction of rotation</b>                   | Counterclockwise, viewed toward rotor             |
| <b>Storage</b>                                 | Sintec sleeve bearing                             |
| <b>Service life L10 at 40 °C</b>               | 52500 h   |
| <b>Service life L10 at maximum temperature</b> | 25000 h   |
| <b>Cable</b>                                   | 2 flat plugs 2.8 x 0.5 mm<br>Grounding lug for M4 |
| <b>Motor protection</b>                        | Protected from overload by impedance protection   |
| <b>Approval</b>                                | VDE, CSA, UL, CE                                  |

## Product drawing



## Curves: Air performance

