

**ebm-papst St. Georgen GmbH & Co. KG**

Hermann-Papst-Str. 1

D-78112 St. Georgen

Phone +49 (0) 7724 81-0

Fax +49 (0) 7724 81-1309

info2@de.ebmpapst.com

www.ebmpapst.com

Nominal data

| Type | 4656 Z | |
|--------------------------|-------------------|------|
| Phase | | 1~ |
| Nominal voltage | VAC | 230 |
| Frequency | Hz | 50 |
| Speed (rpm) | min ⁻¹ | 2650 |
| Power consumption | W | 19.0 |
| Min. ambient temperature | °C | -40 |
| Max. ambient temperature | °C | 75 |
| Air flow | m ³ /h | 160 |
| Sound power level | B | 5.3 |
| Sound pressure level | dB(A) | 40 |

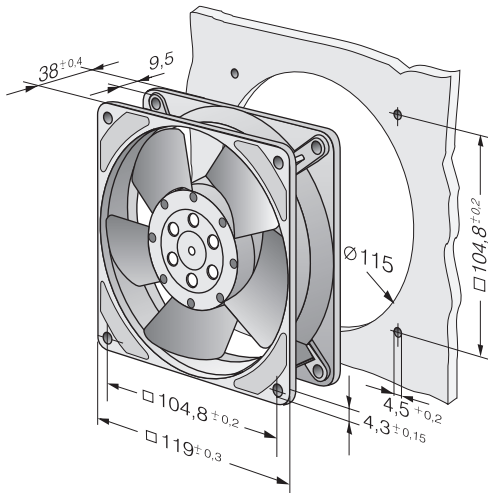
ml = Max. load · me = Max. efficiency · fa = Free air · cs = Customer specification · ce = Customer equipment
Subject to change



Technical description

| | |
|--|---|
| Weight | 0.540 kg |
| Dimensions | 119 x 119 x 38 mm |
| Impeller material | Sheet steel, painted black |
| Housing material | Die-cast aluminum |
| Airflow direction | Exhaust over struts |
| Direction of rotation | Clockwise, viewed toward rotor |
| Storage | Ball bearing |
| Service life L10 at 40 °C | 37500 h |
| Service life L10 at maximum temperature | 17500 h |
| Cable | 2 flat plugs 2.8 x 0.5 mm. Housing with grounding lug for M4 x 8. |
| Motor protection | Protected from overload by impedance protection |
| Approval | VDE, CSA, UL, CE |
| Option | Electrical hookup to leads, 310 mm long, is available. |

Product drawing



Curves: Air performance

