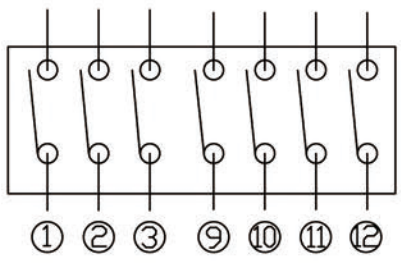
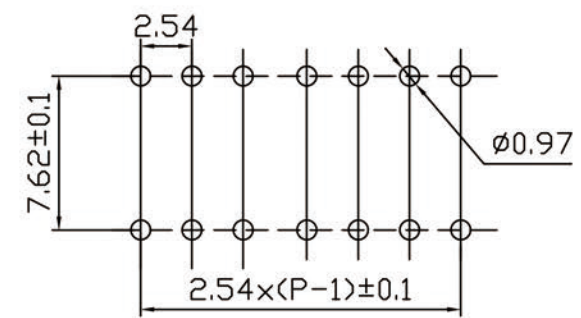
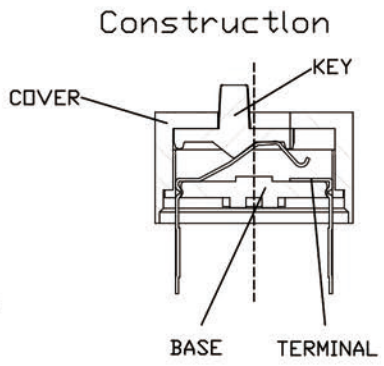
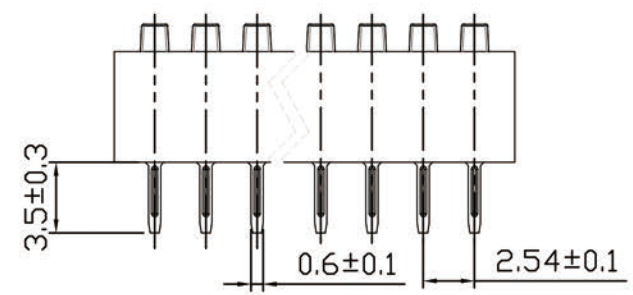
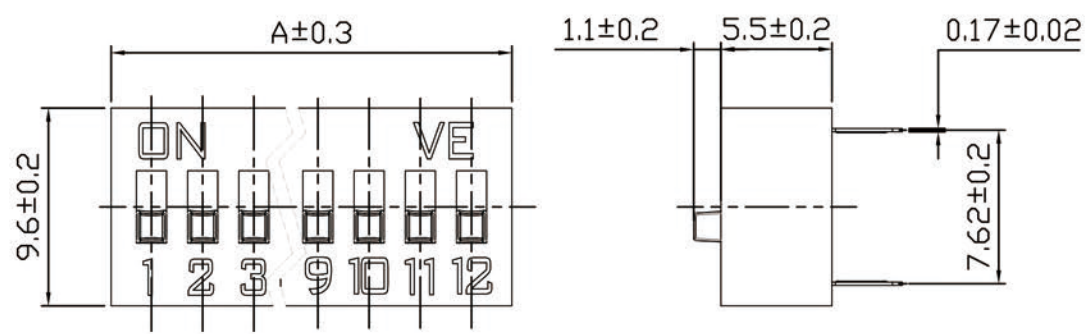
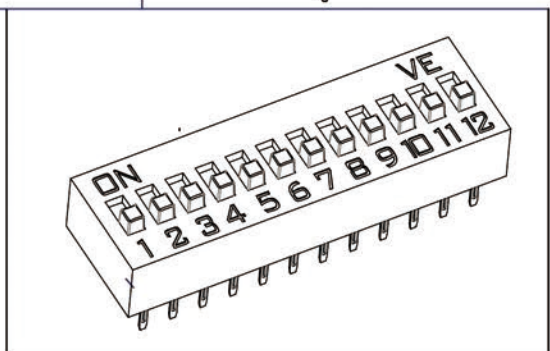


DIMENSION A		1	2	3	4	5	6	7	8	9	10	12
POSITIONS		1	2	3	4	5	6	7	8	9	10	12
DIMAMM		3.6	6.7	9.2	11.7	14.2	16.8	19.3	21.8	24.3	26.9	32.1



NOTES:

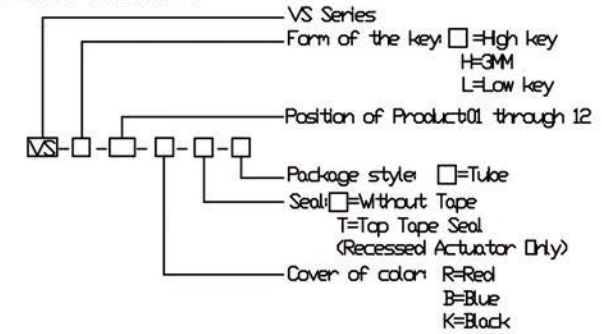
1.Materials

ITEM	DES	MATERIALS	TREATMENT
1	COVER	UL94V-0 PBT High Thermoplastic	Red Blue Black
2	BASE	UL94V-0 PBT High Thermoplastic	BLACK
3	KEY	UL94V-0 Nylon High Thermoplastic	WHITE
4	TERMINAL	Phosphor bronze	Plating Gold or Tin

2.Technical parameters

- 1>Operation force: 1000gMax
- 2>Mechanical life: 3000 operations
- 3>Operating temperature: -25° to+70°  
Storage temperature: -40° to+85°
- 4>Contact resistance(initial):≤50mΩ  
Contact resistance(after life test):≤100mΩ
- 5>Resistance to soldering heat:  
260±5° for 5±1seconds

PRODUCT NAMING :



SHENZHEN CITY VEGA ELECTRONIC Co.,LTD

DWG. BY: liu wei	DATE: 2014/03/19	TITLE: BY VS SERIES PITCH 254mm TYPE HOUSING	Tolerance: X: ±0.3 X: ±0.05 XX: ±0.02	Units:mm Scale: free
CHK. BY:	DATE:	PRAT NO: PRODUCT FAMILY VS SERIES	XX: ±0.02	Sheet 1 of 1
APP. BY:	DATE:	FILE NO: VS-A REV. 1.0		A4