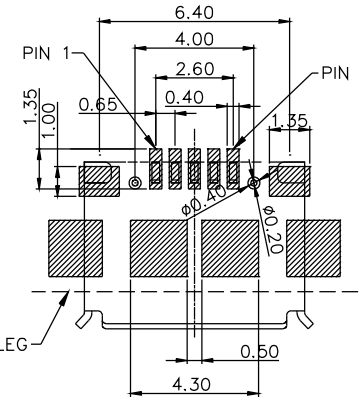
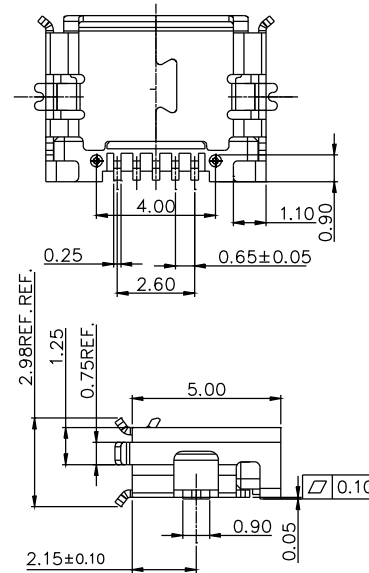
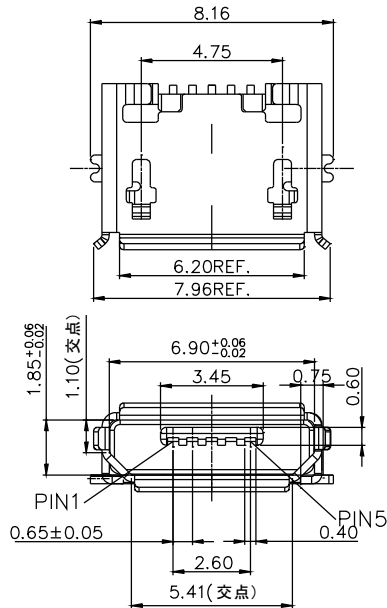


RoHS

www.szwelink.com

REV.	EC#	DESCRIPTION	DATE	DRAWING	CHECKED	APPROVED
A0		NEW RELEASE	2019.03.28	Michael	Mark	Cornelia



RECOMMENDED P.C.B. LAYOUT  
TOP VIEW (TOLRANCE: ±0.05)

NOTES:

- MATERIAL:**  
INSULATOR: HI-TEMP PLASTIC UL 94V-0; BLACK.  
CONTACT: COPPER ALLOY(T=0.15MM).  
SHELL: COPPER ALLOY(T=0.25MM).
- FINISH:**  
CONTACT: Au PLATED ALL OVER NICKEL  
SHELL: MATTE Sn PLATED OVER NICKEL
- ELECTRICAL CHARACTERISTICS:**  
CURRENT RATING: 1.0 A  
VOLTAGE RATING: 30 V  
DIELECTRIC WITHSTANDING VOLTAGE: AC500V R.M.S.  
INSULATION RESISTANCE: 100 MΩ MINIMUM.  
CONTACT RESISTANCE: 30 mΩ MAXIMUM.
- ENVIRONMENTAL:**  
OPERATING TEMPERATURE: -20°C~+85°C.

C	SHELL	1	BRASS 0.25T	NICKELPLATING OVERALL, AND TAB WITH Tin PLATED
B	CONTACT	5	BRASS 0.15T	G/F Pating at CONTACT AREA NICKEL UNDRPLATING OVERALL
A	INSULATOR	1	HIGH TEMP, THERMOPLASTIC	BLACK UL94V-0
NO	DESCRIPTION	QTY	MATERIAL	PLATING & COLOR
UNLESS OTHERWISE SPECIFIED TOLERANCES		WECONN @深圳市微连电子有限公司 ShenZhen Welink Electronics Co.,Ltd		
DECIMALS:	ANGLES:	TITLE	MICRO USB 5Pin TYPE CONNECTOR	
X : ±0.5	X : ±2°	DWN	Michael	PART NO. WL-USB002-029
XX : ±0.3	XX : ±1°	CHKD	Mark	SCALE 1:1 UNIT: mm
XXX : ±0.2		APVD	Cornelia	SIZE: A4 SHEET: 10F1 REV: 1
CUSTOMER COPY				

www.szwelink.com