

A

25089-C

Ø254x89mm(Ø10"x3.50")



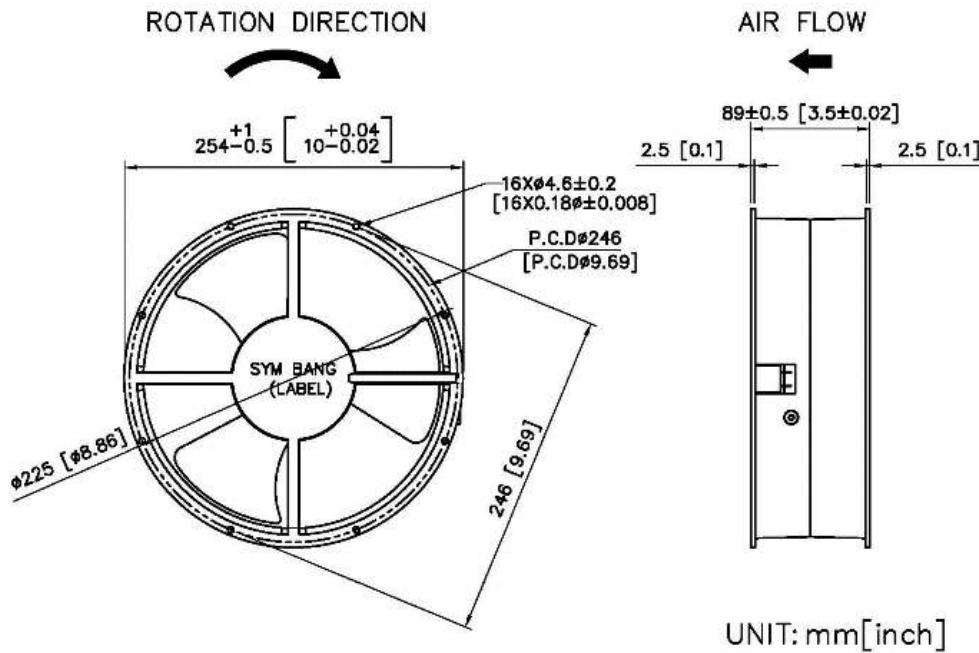
IMPELLER	Plastic
BEARING	Ball
INSULATION	Class A
TERMINATION	Lead Wire / Terminal
OPERATING TEMPERATURE	-10°C to + 70°C
INSULATION RESISTANCE	10M Ω min. @500 VDC
DIELECTRIC STRENGTH	1,800 VAC for 1 second
MOTOR TYPE	AC Induction Capacitor Motor
SAFETY	Thermally Protected
WEIGHT	2 KG
ROHS COMPLIANCE	Yes
IP LEVEL	IP21 (Special IP Rating On Request)

254mm

SPECIFICATION

MODEL NO.	RATED VOLTAGE(V)	RATED CURRENT(A)	INPUT POWER(W)	SPEED (RPM)	MAX. AIR PRESSURE		MAX. AIR FLOW		NOISE dB(A) @1M
					inchH2O	mmH2O	CFM	m3/min	
A25089V2-C	230	0.15/0.14	33/31	1500/1650	0.35/0.45	8.89/11.43	460/550	13.0/15.5	48
A25089V1-C	115	0.32/0.30	35/30	1500/1650	0.35/0.45	8.89/11.43	460/550	13.0/15.5	48

DIMENSION



SYMBANG

AIR PERFORMANCE

