

A

22060-C

CE

Ø220x60mm(Ø8.66"x2.36")



HOUSING	Aluminum Die Casting, Painted Black
IMPELLER	Thermoplastic PBT, UL94V-0
BEARING	Ball
OPERATING TEMPERATURE	-10°C to + 70°C
INSULATION	Class A
OPERATING VOLTAGE RANGE	85 VAC to 125 VAC for 115V Type
	185 VAC to 245 VAC for 230V Type
DIELECTRIC STRENGTH	5mA Max. at 1500 VAC for 1 second
INSULATION RESISTANCE	10M Ω min. @500 VDC
MOTOR TYPE	Shaded Pole Motor
SAFETY	Impedance Protected
TERMINATION	Lead Wire
WEIGHT	1.4 kg
ROHS COMPLIANCE	Yes

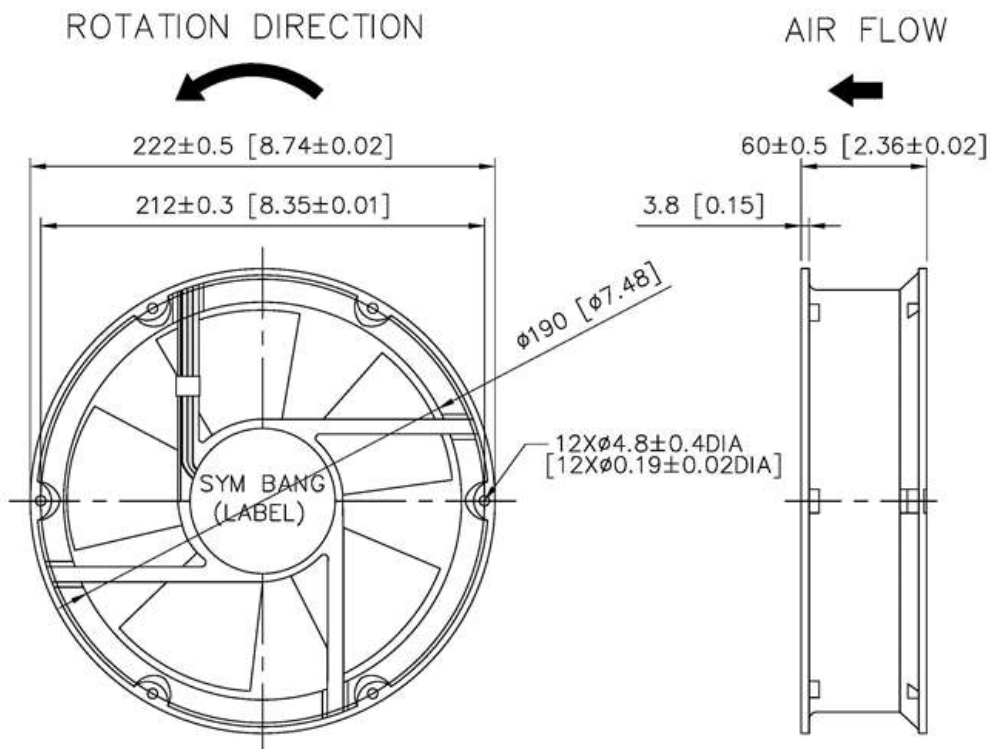
220

 mm

SPECIFICATION

MODEL NO.	RATED VOLTAGE(V)	RATED CURRENT(A)	INPUT POWER(W)	SPEED (RPM)	MAX. AIR PRESSURE		MAX. AIR FLOW		NOISE dB(A) @1M
					inchH2O	mmH2O	CFM	m3/min	
A22060V1H-C	115	0.6/0.6	40/40	2600/2200	0.22/0.11	5.5/2.8	360/340	10.19/9.62	56
A22060V2H-C	230	0.35/0.32	44/44	2600/2700	0.22/0.11	5.5/2.8	360/340	10.19/9.62	56

DIMENSION



UNIT: mm[inch]

SYMBANG

AIR PERFORMANCE

