

A

20060-C

200x200x60 mm(7.87"x7.87"x2.36")



HOUSING	Aluminum Die Casting, Painted Black
IMPELLER	Thermoplastic PBT, UL94V-0
BEARING	Ball
OPERATING TEMPERATURE	-10°C to + 70°C
INSULATION	Class A
OPERATING VOLTAGE RANGE	85 VAC to 125 VAC for 115V Type
	185 VAC to 245 VAC for 230V Type
	5mA Max. at 1500 VAC for 1 second
DIELECTRIC STRENGTH	10M Ω min. @500 VDC
INSULATION RESISTANCE	Shaded Pole Motor
MOTOR TYPE	Impedance Protected
SAFETY	Terminals or Lead wire
TERMINATION	1.4 kg
WEIGHT	Yes
ROHS COMPLIANCE	IP21 (Special IP Rating On Request)
IP LEVEL	

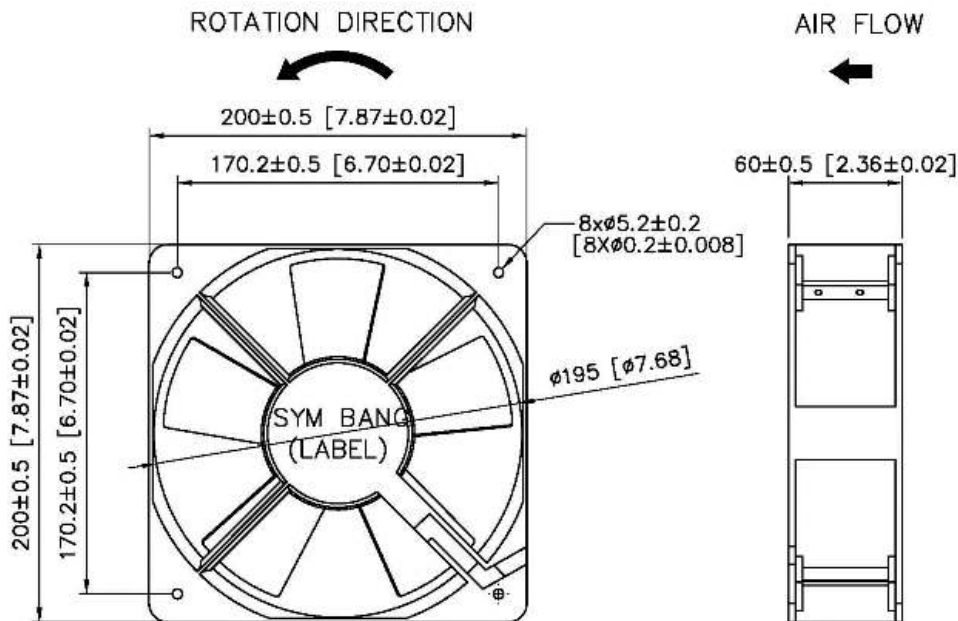
200

 mm

SPECIFICATION

MODEL NO.	RATED VOLTAGE(V)	RATED CURRENT(A)	INPUT POWER(W)	SPEED (RPM)	MAX. AIR PRESSURE		MAX. AIR FLOW		NOISE dB(A) @1M
					inchH2O	mmH2O	CFM	m3/min	
A20060V2HBL-C	230	0.4/0.35	52.3/49.3	2650/2740	0.31/0.15	7.9/3.83	376/374	10.6/10.5	52/52

DIMENSION



UNIT: mm[inch]

AIR PERFORMANCE

