

A

17251-7DA

172x151x51mm(6.8"x5.9"x2")



HOUSING	Aluminum Die Casting, Painted Black
IMPELLER	Thermoplastic PBT, UL94V-0
BEARING	Ball
OPERATING TEMPERATURE	-20°C to + 70°C
INSULATION	Class F
OPERATING VOLTAGE RANGE	85 VAC to 125 VAC for 115V Type 185 VAC to 245 VAC for 230V Type
DIELECTRIC STRENGTH	5mA Max. at 1500 VAC for 1 second
INSULATION RESISTANCE	10M Ω min. @500 VDC
MOTOR TYPE	Outer Rotor, AC Induction Capacitor Motor
SAFETY	Thermally Protected
TERMINATION	Terminals or Lead Wire
WEIGHT	1040 g
ROHS COMPLIANCE	Yes
IP LEVEL	IP21(Special IP Rating On Request)

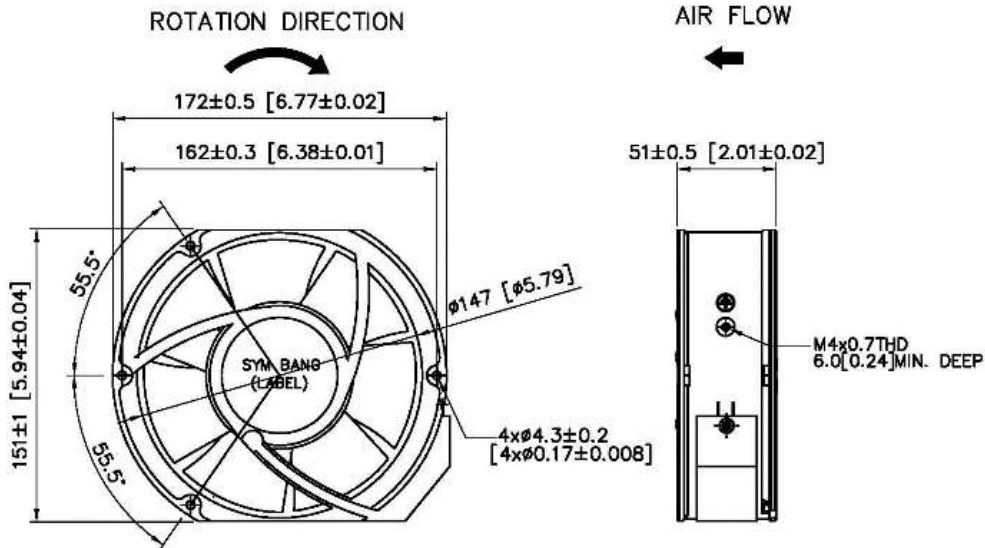
172

mm

SPECIFICATION

MODEL NO.	RATED VOLTAGE(V)	RATED CURRENT(A)	INPUT POWER(W)	SPEED (RPM)	MAX. AIR PRESSURE		MAX. AIR FLOW		NOISE dB(A) @1M
					inchH2O	mmH2O	CFM	m3/min	
A17251V1SHB-7DA	115	0.41/0.35	41/40	2800/3300	0.60/0.77	15.2/19.6	255/300	7.22/8.49	55/61
A17251V2SHB-7DA	230	0.19/0.17	39/40	2800/3300	0.60/0.77	15.2/19.6	255/300	7.22/8.49	55/61

DIMENSION



UNIT: mm[inch]

SYMBANG

AIR PERFORMANCE

